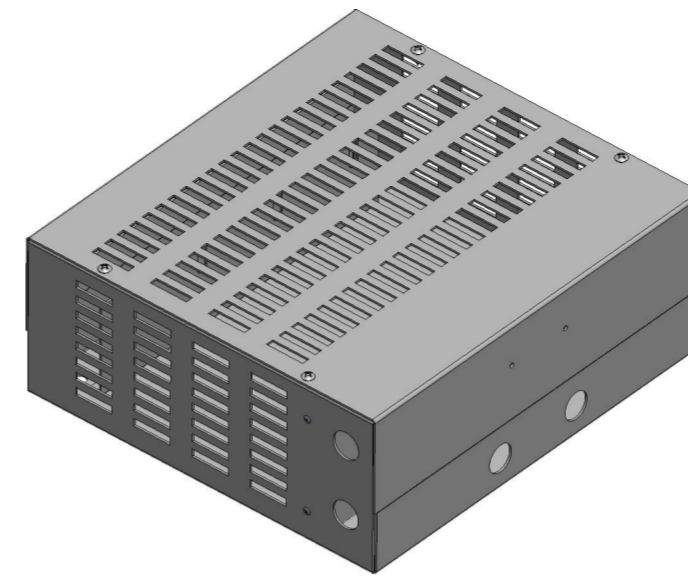
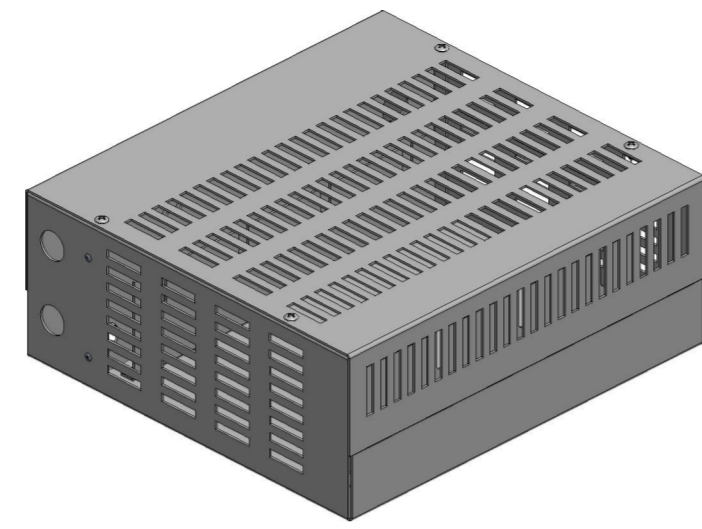
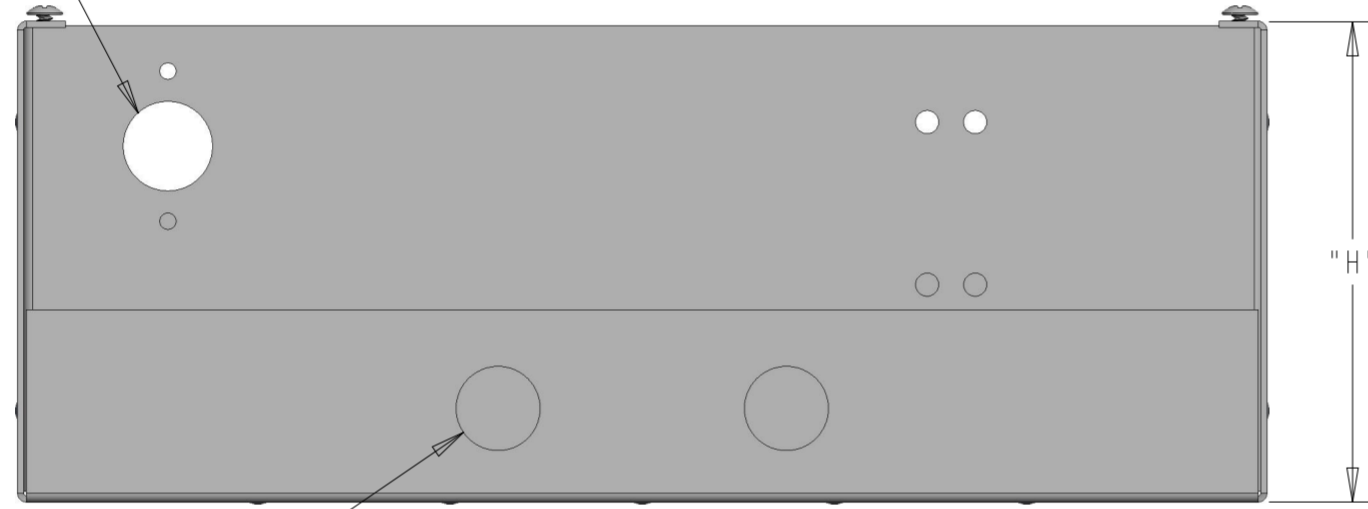


P	LTR	DESCRIPTION	DATE	DWN	APVD
A		INITIAL RELEASE	07OCT2021	KS	AP



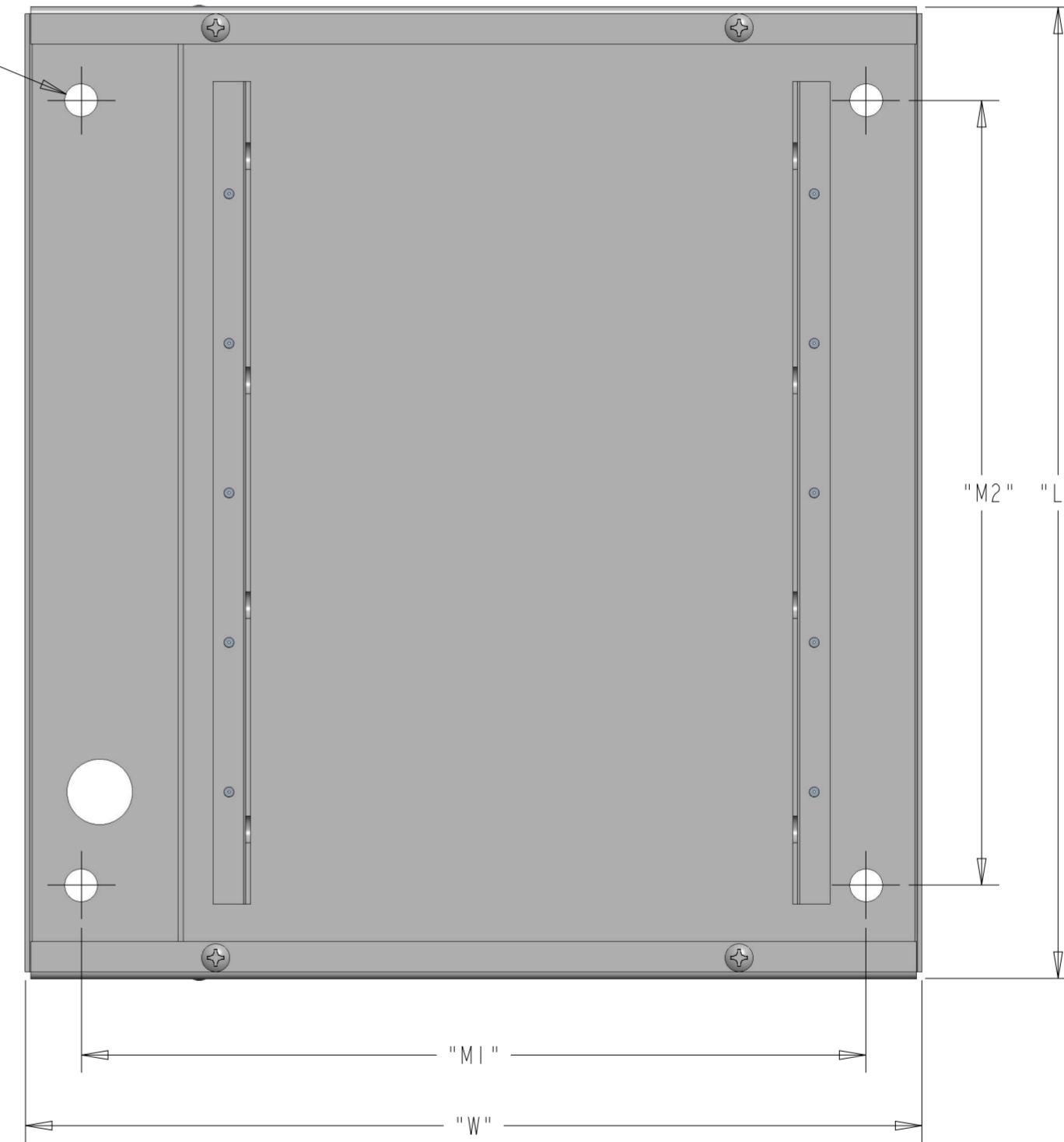
SCALE 1:5

TEMPERATURE SENSOR (OPTIONAL)



(x7) Ø22.225 (KNOCKOUTS)
[ONE LOCATED ON BOTTOM
2 ON LEFT AND RIGHT SIDE]

(x4) Ø11.125
(MOUNTING HOLES)

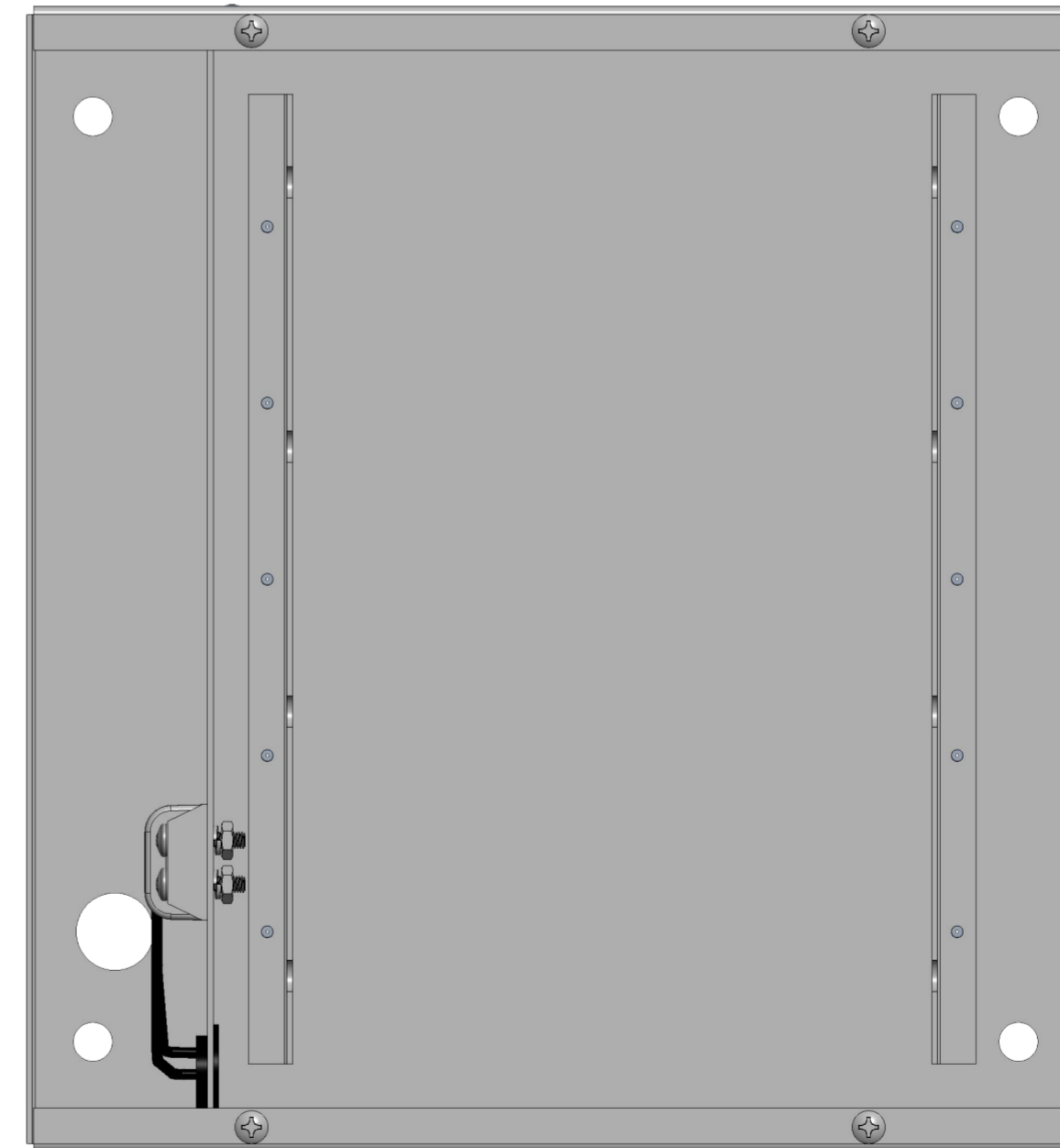
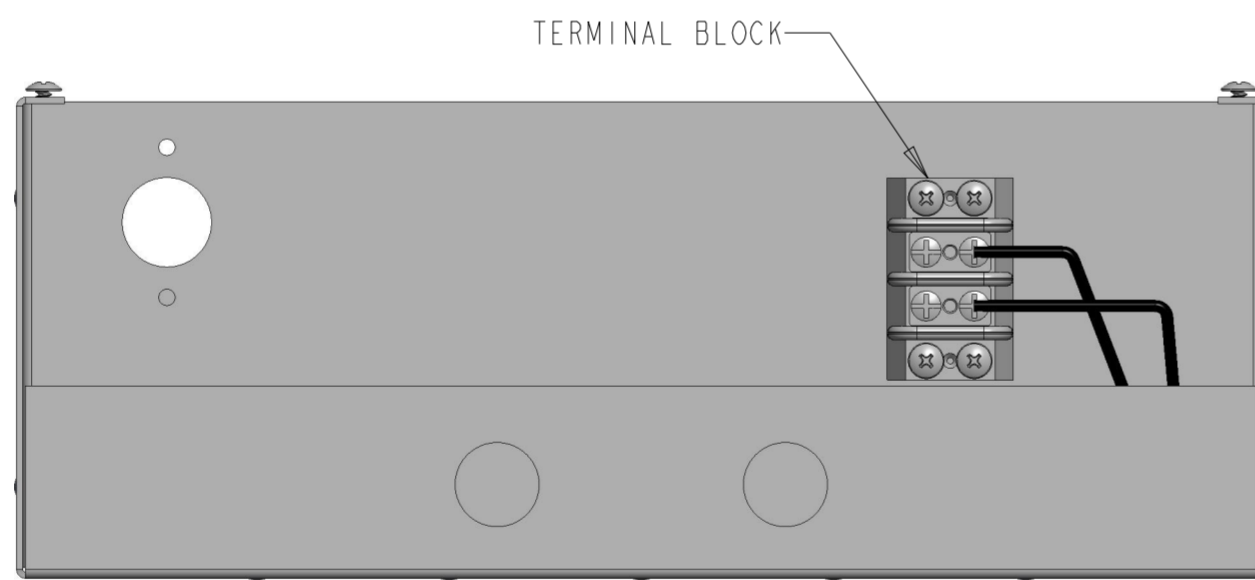
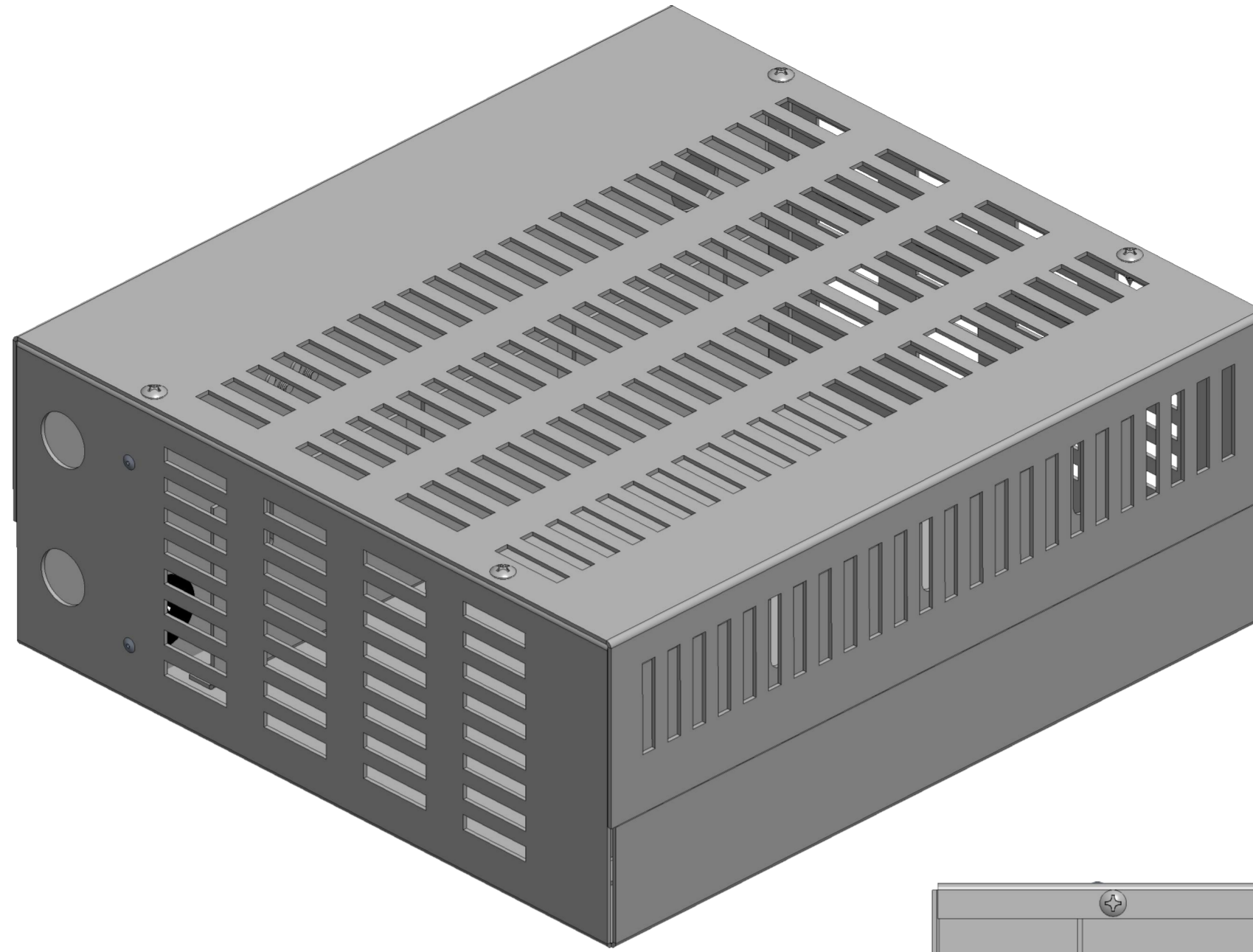



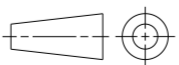
PART NUMBER	W (mm)	L (mm)	H (mm)	M1 (mm)	M2 (mm)	TOTAL RESISTANCE	H.P.	DUTY CYCLE	DRIVE VOLTAGE	BRAKING TORQUE
HPBA007FIK0100E	305	330	127	267	267	1000 Ohms ± 10%	0.75	100%	575 V	150%

NOTE:
1. FOR FURTHER TECHNICAL INFORMATION PLEASE SEE THE DATASHEET FOR THE HPBA SERIES

THIS DRAWING IS A CONTROLLED DOCUMENT.		DWN S. KARTHIK 20-09-2021	TE Connectivity	
DIMENSIONS: mm		CHK ALLAN PILE 20-09-2021		
TOLERANCES UNLESS OTHERWISE SPECIFIED:		APVD ALLAN PILE 20-09-2021	NAME BRAKING RESISTOR ASSEMBLY TYPE HPBA SERIES HPBA007FIK0100E	
0 PLC ± 1 PLC ± 2 PLC ±0.50 3 PLC ±0.500 4 PLC ± ANGLES ± FINISH -		PRODUCT SPEC -	SIZE A2	
MATERIAL -		APPLICATION SPEC -	CAGE CODE 00779	DRAWING NO C-5-2176470-7
		WEIGHT -	RESTRICTED TO -	
		CUSTOMER DRAWING	SCALE 1:2	SHEET 1 OF 2
			REV A	

P	LTR	DESCRIPTION	DATE	DWN	APVD
-		SEE SHEET 1	-	-	-



THIS DRAWING IS A CONTROLLED DOCUMENT.		DWN S. KARTHIK 20-09-2021	 TE Connectivity			
DIMENSIONS: mm		CHK ALLAN PILE 20-09-2021				
		APVD ALLAN PILE 20-09-2021	NAME BRAKING RESISTOR ASSEMBLY TYPE HPBA SERIES HPBA007FIK0100E			
TOLERANCES UNLESS OTHERWISE SPECIFIED:		PRODUCT SPEC	SIZE	CAGE CODE	DRAWING NO	RESTRICTED TO
0 PLC	±	-	A2	00779	C-5-2176470-7	-
1 PLC	±	-	SCALE		SHEET	REV
2 PLC	±0.50	-	1:2		2 OF 2	A
3 PLC	±0.500	-	CUSTOMER DRAWING			
4 PLC	±	-				
ANGLES	±	-				
FINISH	-	-				