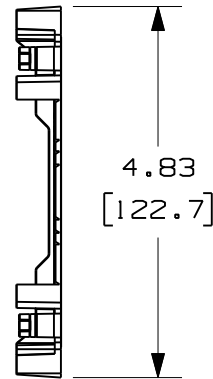
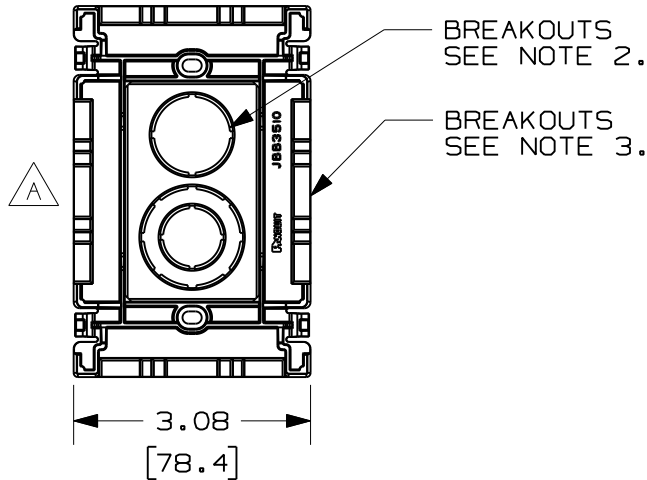
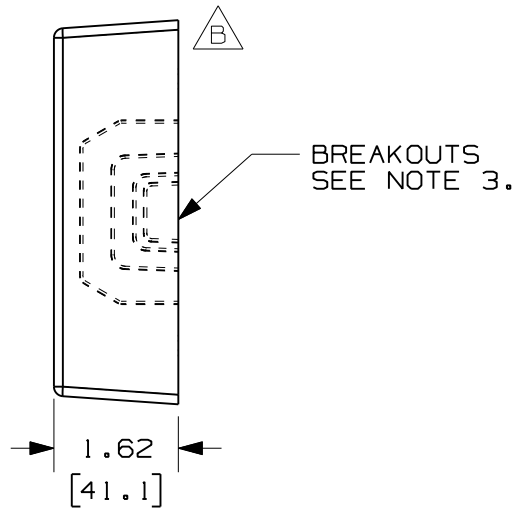
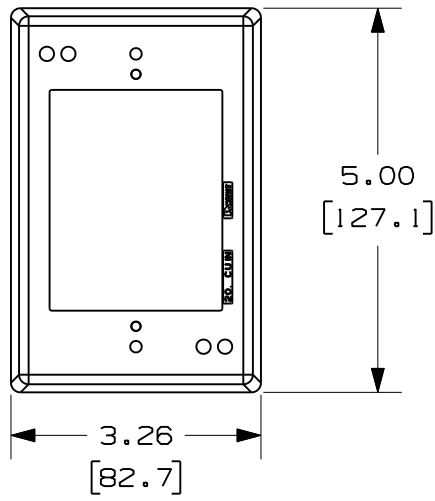


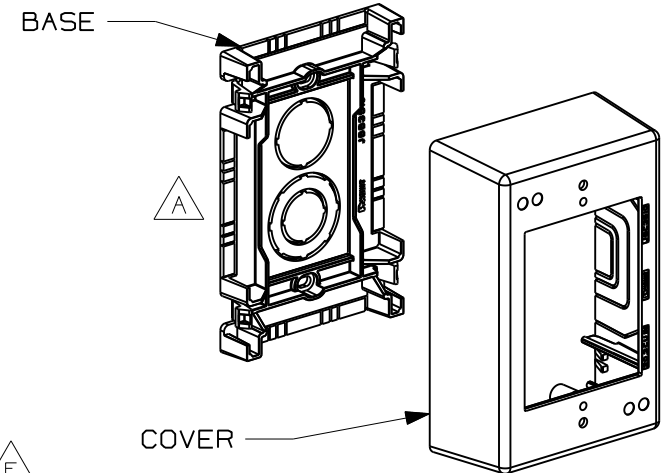
THIS COPY IS PROVIDED ON A RESTRICTED BASIS AND IS NOT TO BE USED IN ANY WAY DETRIMENTAL TO THE INTERESTS OF PANDUIT CORP.



PANDUIT P/N	WEIGHT	VOLUME CU. IN./CC
JBX3510	0.21 LB/PC. (96.6g/PC.)	19.9 (326)

NOTES:

- SEE CURRENT CATALOG FOR ADDITIONAL PART SUFFIXES TO INDICATE COLOR AND OR PACKAGE QUANTITY.
- BREAKOUTS TO ACCOMMODATE CONDUIT SIZES OF 1/2", 3/4", AND 1" DIAMETERS.
- BREAKOUTS ARE PROVIDED FOR PD, LD, LDPH, LDS, AND T-45 RACEWAYS.
- COVER IS EXTENDED OUT AND DOWN AROUND SIDES OF BASE WHEN ASSEMBLED.
- DIMENSIONS IN PARENTHESIS ARE METRIC.



CAD FILENAME/LAYERS D37031AD_DC_JBX3510/01C.prt

REV	DATE	BY	CHK	DESCRIPTION	ECN	CHK	CUST	SUP
3	12.10.09	BDK	RMHI	F. REVISED AND REDRAWN	37031-05	RMHI	RTF1	
2	10-29-01	JBN	RGRO	E. POLYSTYRENE WAS N/A	37031-05	RGRO	RGRO	
-	-	-	-	D. REVISED NOTE #2 AND #3 C. REVISED TOLERANCE: WAS .8	-	-	-	
1	1-16-01	REWE	RMHI	B. REVISED VIEW TO SHOW BREAKOUTS A. REVISED PART GEOMETRY	37031-05	HIW	HIW	
R	4-17-00	MSO	JAWA	RELEASED TO PRODUCTION	37031-05	HIW	HIW	

PANDUIT CORP TINLEY PARK, ILLINOIS

1 GANG LOW VOLTAGE JUNCTION BOX (JBX3510)

CUSTOMER DRAWING

UNLESS OTHERWISE SPECIFIED, DIMENSIONAL TOLERANCES ARE:
 (.X) ± .XXX1 ±
 (.XX) ± .03 [.8] ANGLES ±

UNLESS OTHERWISE SPECIFIED, ALL DIMENSIONS ARE GIVEN IN INCHES. THIRD ANGLE PROJECTION

DRAWN BY: MSO
 DATE: 4-17-00
 CK'D: JAWA

MAT'L/COLOR: POLYSTYRENE

SCALE: NONE
 DRAWING NO.: 37031-05
 DWG SIZE: A