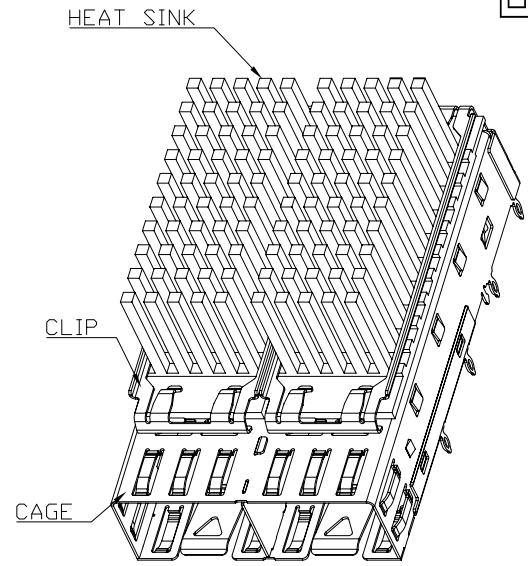
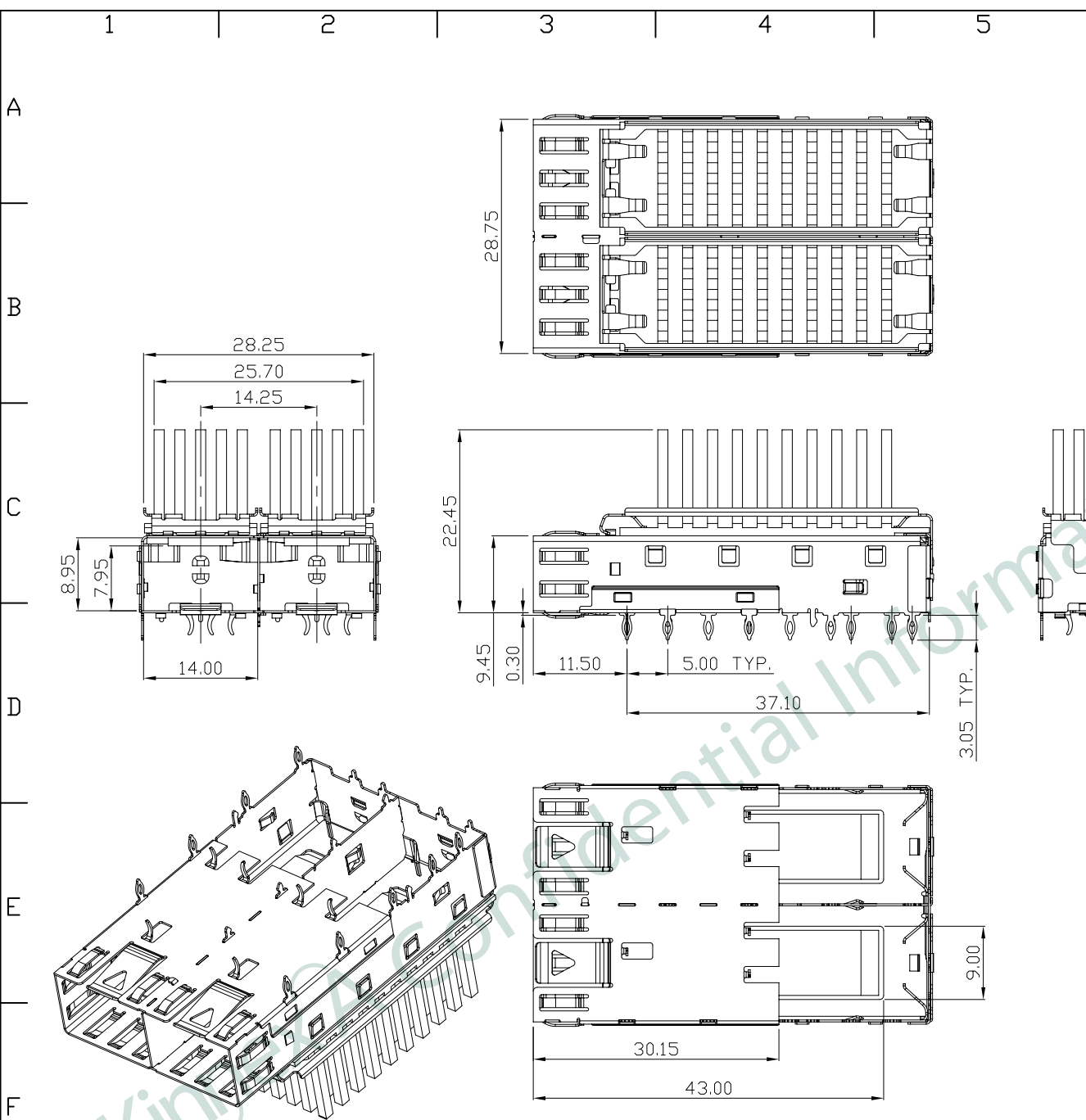
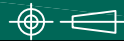
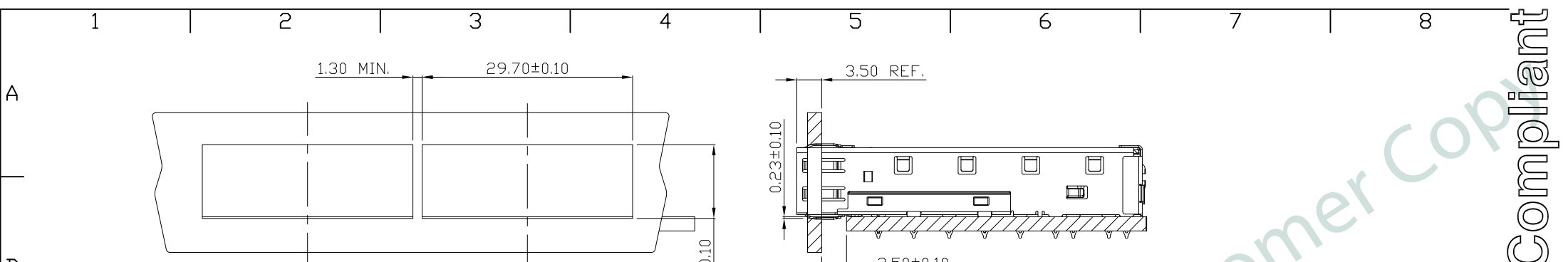


REV.	DATE	DESCRIPTION
01	Jul. 05, '18	1st RELEASE

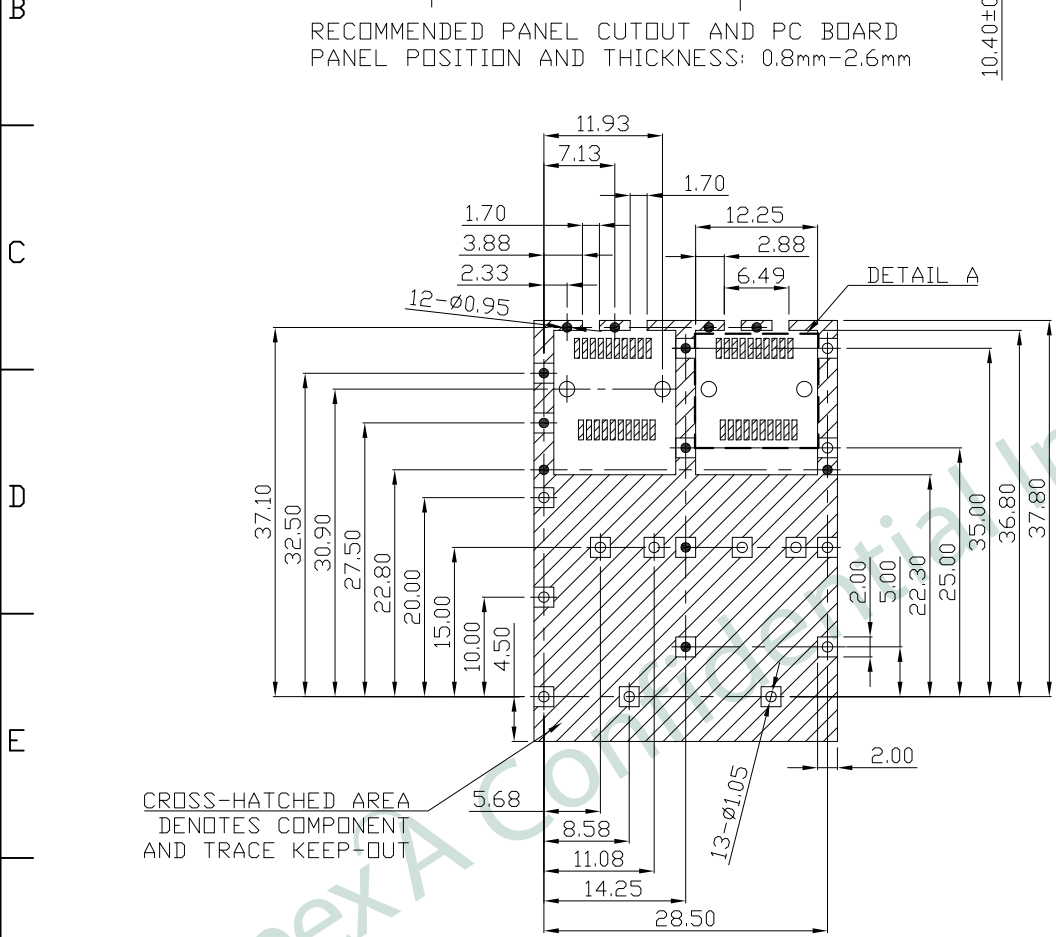
- NOTES:
- CAGE: T=0.25mm COPPER ALLOY
  - HEAT SINK: ALUMINUM
  - CLIP: STAINLESS STEEL
  - UNSPECIFIED TOLERANCE: .XXX ±0.15  
.XX ±0.25



 <b>PART NO</b> KSFP-A-SPFA-0221	
<b>TITLE</b>	SFP CAGE, EMI TAB, HEAT SINK, PRESS FIT TYPE
REV : 01	
<b>UNIT</b>	<b>DRAWN</b> CHKD DATE SHEET
mm[inch]	CINDY VINCENT Jul. 05, '18 1 of 2



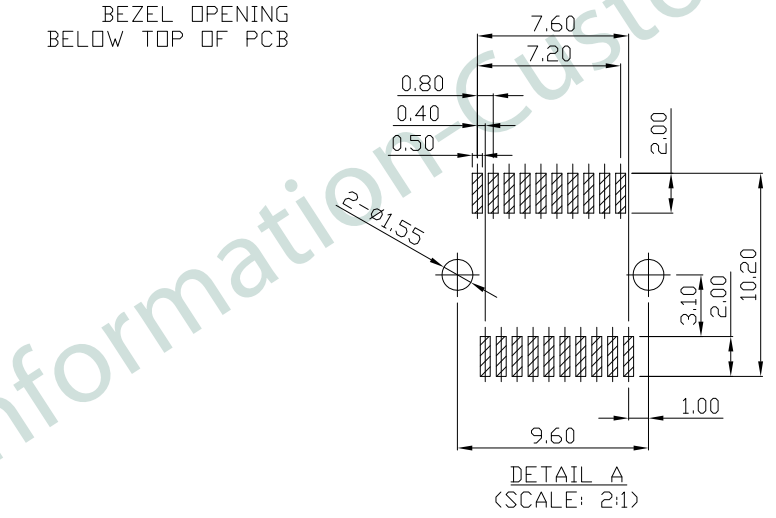
RECOMMENDED PANEL CUTOUT AND PC BOARD  
 PANEL POSITION AND THICKNESS: 0.8mm-2.6mm



CROSS-HATCHED AREA  
 DENOTES COMPONENT  
 AND TRACE KEEP-OUT

EDGE OF BOARD (COMPONENT SIDE)  
 RECOMMENDED MINIMUM PCB THICKNESS: 1.50mm  
 (ALL TOLERANCES ARE ±0.05)

"□ ● ●" ROUND HOLE IS THROUGH HOLE



KSFP-A-SPFA-0221

PRODUCT: A: CAGE  
 CATEGORY: S: SFP  
 TERMINAL TYPE: PF: PRESS FIT  
 EMI TYPE: A: EMI TAB

SERIAL NUMBER  
 OPTION: 2: HEATSINK  
 NUMBER OF PORT

PART NO KSFP-A-SPFA-0221				
TITLE	SFP CAGE, EMI TAB, HEAT SINK, PRESS FIT TYPE			
REV : 01				
UNIT	DRAWN	CHKD	DATE	SHEET
mm[inch]	CINDY	VINCENT	Jul. 05, '18	2 of 2