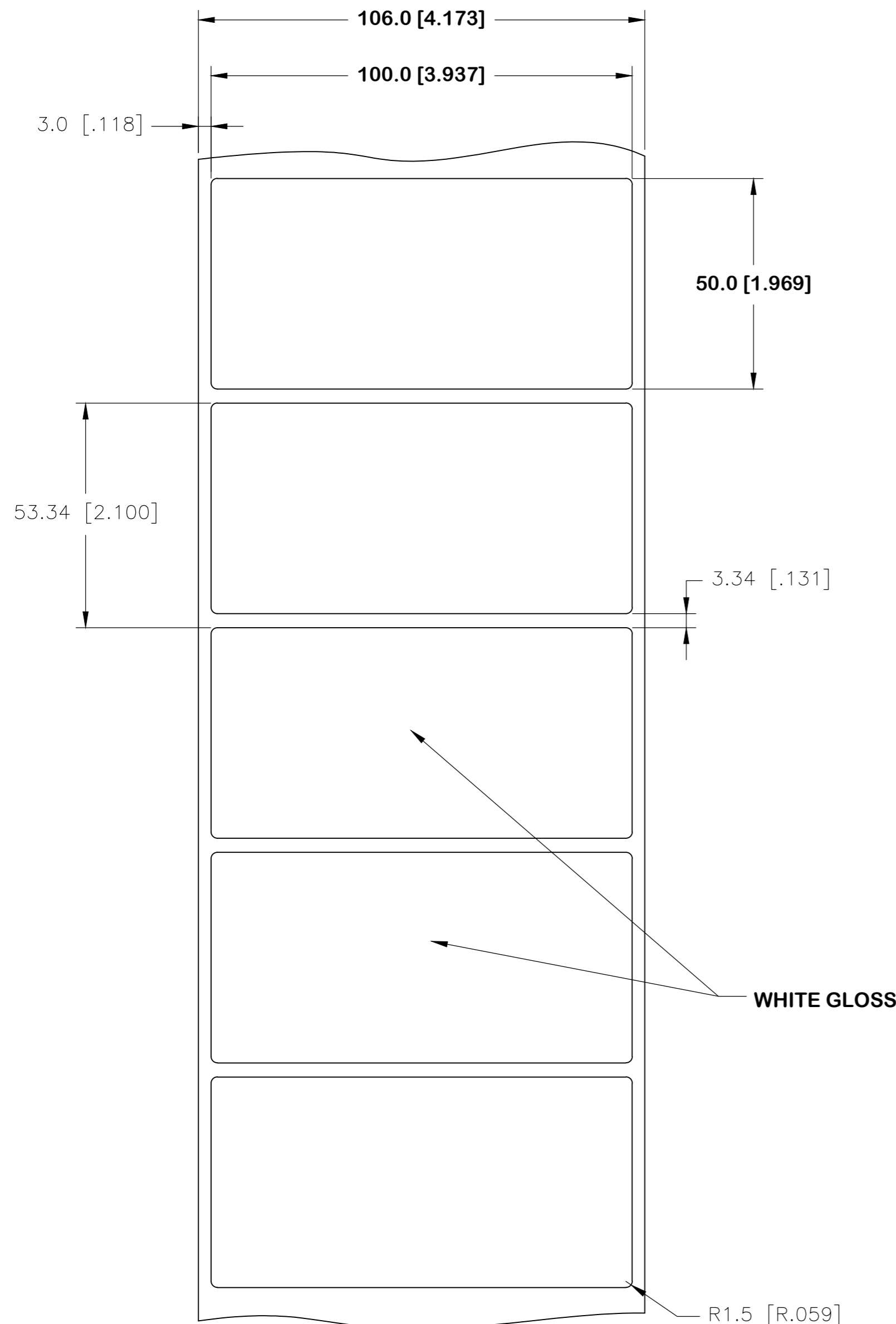
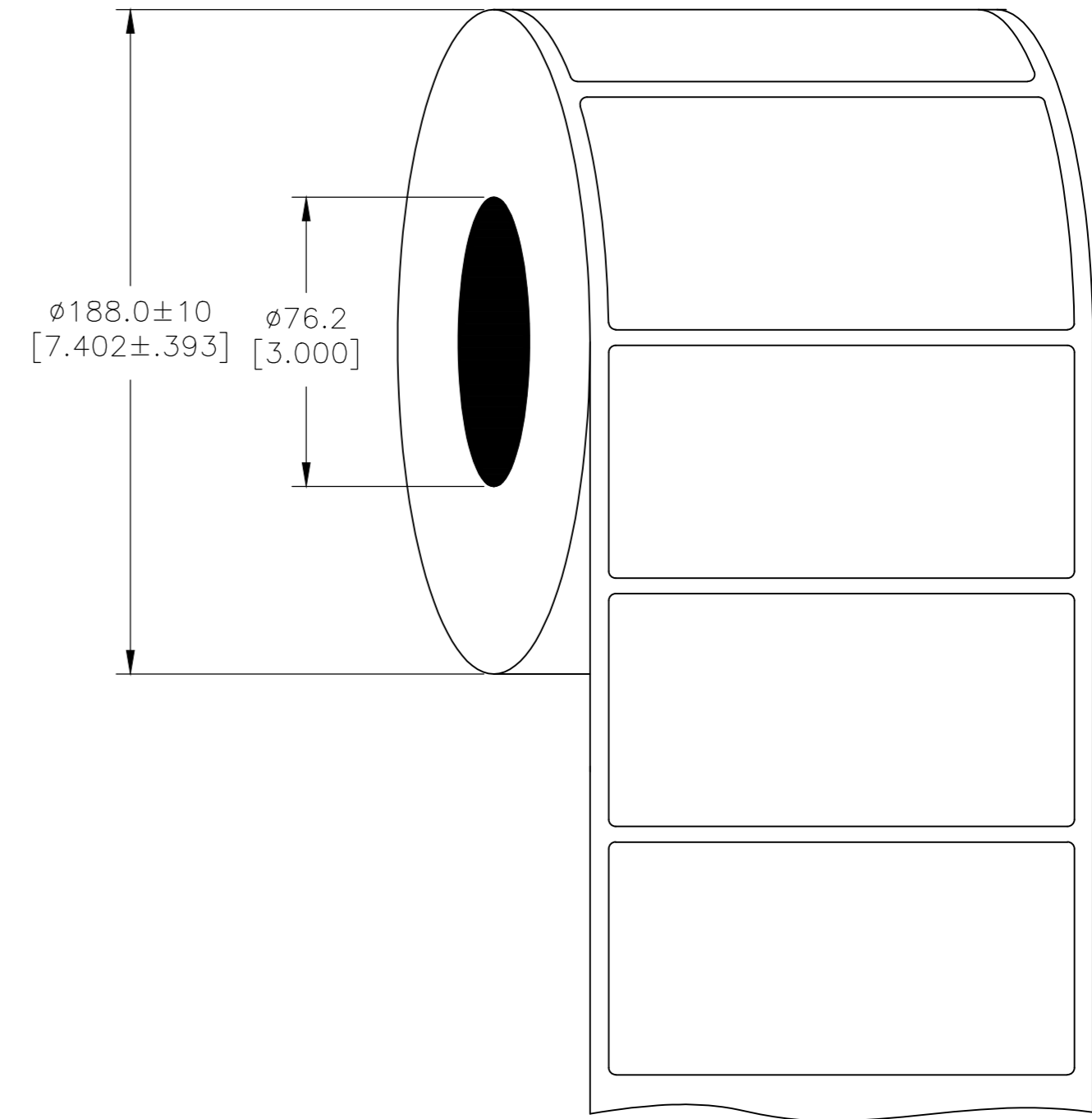


REVISIONS					
P	LTR	DESCRIPTION	DATE	DWN	APVD
	A	NEW DRAWING	04OCT2017	GK	DB
	A1	UL TABLE UPDATED	06JUN2018	GK	DB

LABEL AND LINER DESIGN



PRESENTATION



**OUTSIDE WOUND LABEL ACROSS: 1
PER ROLL QTY: 500**

All dimensions in mm [Inch]

TE PN: 2323563-1

UL-MARKING AND LABELLING SYSTEMS		
PGJ12 - Printing Materials - Component (UL 969)		
PGJ18 - Printing Materials Certified for Canada - Component (CSA C22.2 No. 0.15)		
File: MH17292	Product design: PL-9	Ribbon: TTB-XXXSC/YYYYAQ529

TOLERANCES mm [INCH]	
LABEL HEIGHT:	±0.3 [.012]
LABEL WIDTH:	±0.3 [.012]
WEB WIDTH:	±0.5 [.020]
VERTICAL REPEAT:	±0.5 [.020]*
HORIZONTAL REPEAT:	±0.5 [.020]*
LABEL POSITIONING:	±0.5 [.020]*
LEFT MARGIN:	±0.5 [.020]
QUANTITY:	-0 % +2 %
*NON ACCUMULATING	

DIMENSIONS: mm [INCHES]		TOLERANCES UNLESS OTHERWISE SPECIFIED	
0 PLC	±	1 PLC	±
1 PLC	±	2 PLC	±
2 PLC	±	3 PLC	±
3 PLC	±	4 PLC	±
4 PLC	±	ANGLES	±

MATERIAL	POLYESTER WHITE GLOSS	
ADHESIVE TYPE	ACRYLIC PE FOAM	
LINEAR	BROWN KRAFT	
DWN	GOPALAKRISHNA HV	04OCT2017
CHK	D.BURGAT	04OCT2017
APVD	D.BURGAT	04OCT2017
PRODUCT SPEC	TTDS-245	
APPLICATION SPEC	-	
WEIGHT	2.355g	
CUSTOMER DRAWING	SCALE	NTS
SIZE	A2	FB1U7
CAGE CODE	C=PL-100050-0.5-9	
DRAWING NO	-	
RESTRICTED TO	-	
SHEET	1	OF 1
REV	A1	

TE TE Connectivity

PANEL LABEL-WHITE
100.0 x 50.0mm [3.937 x 1.969inch]