

SUMMARY

Wires

Low voltage 10

Series 1P
Termination type Female solder
IP rating 50
AWG wire size 0.00 - 0.00
Cable Ø 2.70 - 3.90 mm
Status active
Matching parts [PAA.M1.0GL.AC39G](#)



Image is for illustrative purpose only

Download

[Request a quote](#)

[Catalog](#)

TECHNICAL DETAILS

Mechanics

Shell Style/Model PT*: Fixed receptacle with two nuts and cable collet (back panel mounting)
Keying 2 keys (alpha=40; Plug: male contacts; Receptacle: female contacts)
Housing Material PSU (Polysulfone), gray
Variant G : Gray collet nut
Weight 6.74 g

Performance

Configuration 1P.M10 : 10 Low Voltage
Insulator L: PEEK (UL 94 / V-0/1.5)
Rated Current 3 Amps

Specifications

Contact Type: Solder
Contact Dia.: 0.5 mm (0.0201in)
Bucket Dia.: 0.45 mm (0.018in)
Max. Solid Conductor: 0.09 mm² (AWG 28)
Max. Stranded Conductor: 0.09 mm² (AWG 28)
R (max): 8.5 mOhm
Test voltage (kV rms) Contact-contact: 0.85

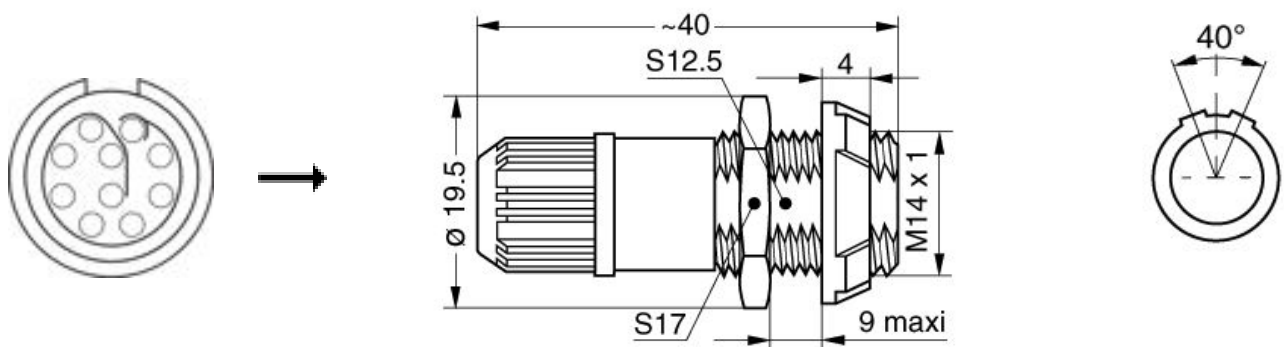
LEMO products and services are provided "as is". LEMO makes no warranties or representations with regard to LEMO product & services or use of them, express, implied or statutory, including for accuracy, completeness, or security. The user is fully responsible for his products and applications using LEMO components.

Air clearance min.: 0.45 mm
Creepage distance min.: 0.45 mm

Others

Endurance (Shell): >2000 mating cycles
F ret (min): 50 N
F ret (max): 150 N
Steam sterilization: > 100 times (with potting on rear connection)

DRAWINGS



Dimensions

| | A | L | N |
|-----|------|------|------|
| mm. | 19.5 | 40 | 22.2 |
| in. | 0,77 | 1,57 | 0,87 |

RECOMMENDED BY LEMO

Tools

Cables

LEMO products and services are provided "as is". LEMO makes no warranties or representations with regard to LEMO product & services or use of them, express, implied or statutory, including for accuracy, completeness, or security. The user is fully responsible for his products and applications using LEMO components.

LEMO products and services are provided "as is". LEMO makes no warranties or representations with regard to LEMO product & services or use of them, express, implied or statutory, including for accuracy, completeness, or security. The user is fully responsible for his products and applications using LEMO components.