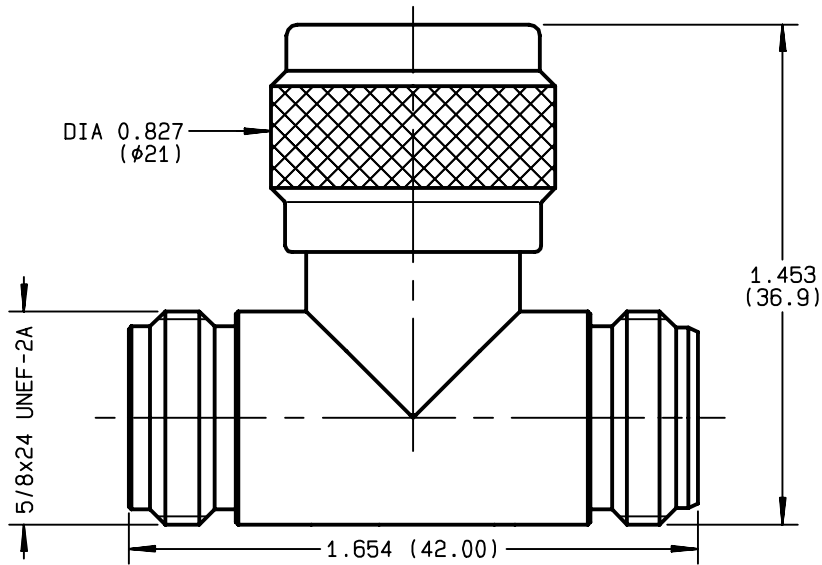


FEMALE-FEMALE/MALE TEE ADAPTOR

R161.780.000
SERIES N



NOMINAL IMPEDANCE	50 Ω	CABLES :		
FREQUENCY RANGE	0-11 GHz			
TEMPERATURE RATING	-55/+155 °C			
V.S.W.R	NA + x F(GHz)Maxi			
RF INSERTION LOSS	NA √F(GHz) dB Maxi			
VOLTAGE RATING	1400 Veff Maxi			
DIELECTRIC WITHSTANDING VOLTAGE	2500 Veff Mini			
INSULATION RESISTANCE	5000 MΩMini		OTHERS CHARACTERISTICS	
HERMETIC SEAL	NA Atm.cm ³ /s		CABLE RETENTION	NA N Mini
LEAKAGE (pressurized only)	NA		CENTER CONTACT RETENTION	
MECHANICAL DURABILITY	500 Cycles	Axial force - mating end	27 N Mini	
WEIGHT	74.2 gr	Axial force - opposite end	27 N Mini	
SPECIFICATION	LEA 03COAN03 N 282	Torque	NA cm.N Mini	
		RECOMMENDED TORQUES		
		Mating	130 cm.N	
		Panel nut	NA cm.N	
		Clamp nut	NA cm.N	

CONNECTOR PARTS	MATERIALS	FINISH	(all values are given) in micrometers
BODY	BRASS	BBR 2	
OUTER CONTACT	BRASS	BBR 2	
CENTER CONTACT	BERYLLIUM COPPER	GOLD 0.5 OVER NICKEL 2	
INSULATOR	PTFE	-	
GASKET	SILICONE RUBBER	-	
OTHERS PIECES	BRASS	BBR 2	

BONOMINI	ISSUE	CREATION DATE	FILE PART-NUMBER	 RADIALL ®
	9813C01	30/04/1993	EPC 96-07	

The information given here is subject to change without notice.
 Design changes may be in order to improve the product .