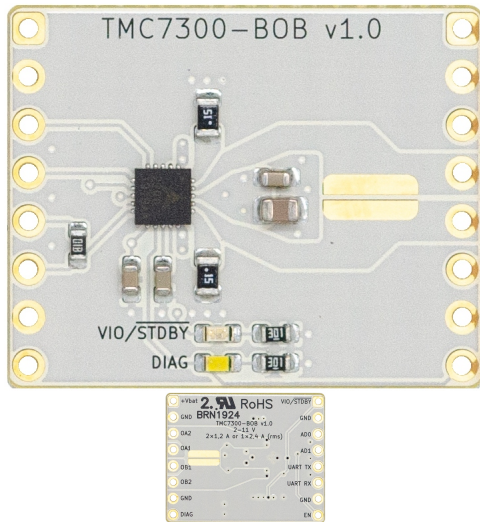


# TMC7300-BOB

Document Revision V1.00 • 2021-Feb-01

## Module Top View



## Features and additional Resources

- TMC7300-LA low voltage DC motor driver
- Supply voltage 2-11V DC
- 2x DC motors at 1.2A (rms)
- or 1x DC motor at 2.4A (rms)
- UART interface for configuration and control with address setting
- Enable input and diagnosis output
- Low power standby mode
- Small size QFN package
- Board width 1.0", board height 0.8"
- 2x8 pin 0.1" header rows for pins/connectors
- Link to [Additional information and IC data sheet](#)

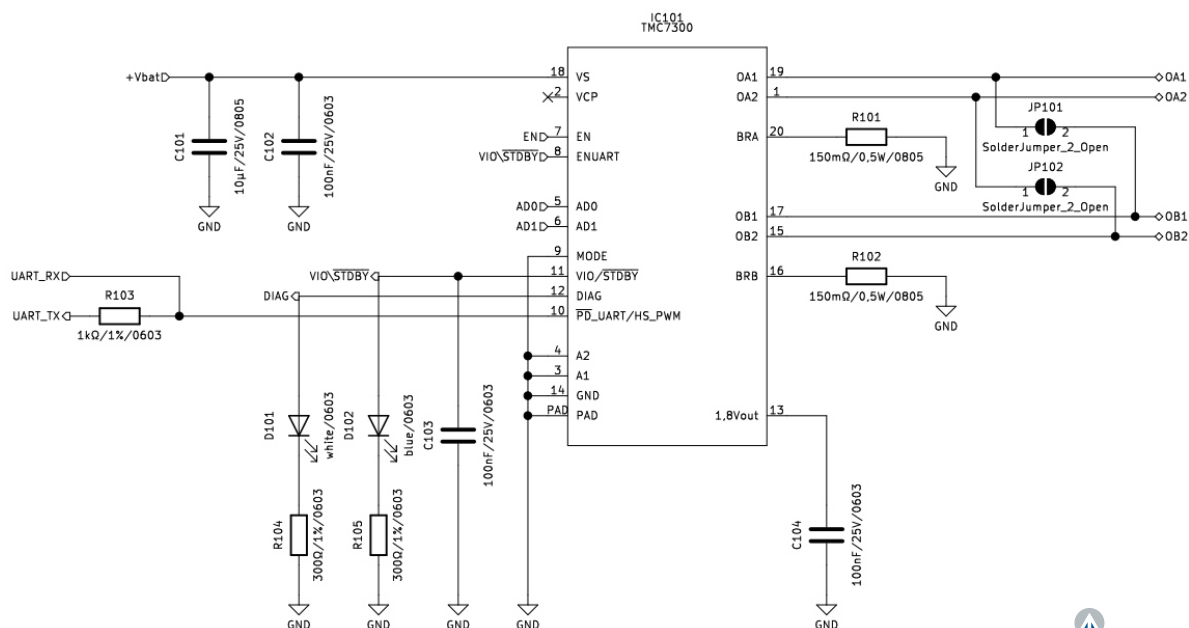
## Pin List

Left	Signal	Right	Signal
1	+VCC_IO/nSTDBY	9	+VBAT
2	GND	10	GND
3	AD0	11	OA2 (Motor Phase A)
4	AD1	12	OA1 (Motor Phase A)
5	UART_TX	13	OB1 (Motor Phase B)
6	UART_RX	14	OB2 (Motor Phase B)
7	GND	15	GND
8	EN	16	DIAG

## Bill of Materials

Pcs.	Value	Footprint	Description
1	TMC7300-LA	QFN20,3x3mm	<a href="#">Trinamic DC Motor Driver</a>
1	R0603/1K/1%	0603	Resistor
3	100nF/25V/0603	0603	Capacitor
1	10uF/25V/0805	0805	Capacitor
1	blue/0603	0603	LED
1	white/0603	0603	LED
2	R0603/300R/1%	0603	Resistor
2	R1206/0R150/0.5W	1206	Resistor

## Schematics



©2021 TRINAMIC Motion Control GmbH & Co. KG, Hamburg, Germany  
 Terms of delivery and rights to technical change reserved.  
 Download newest version at [www.trinamic.com](http://www.trinamic.com)

