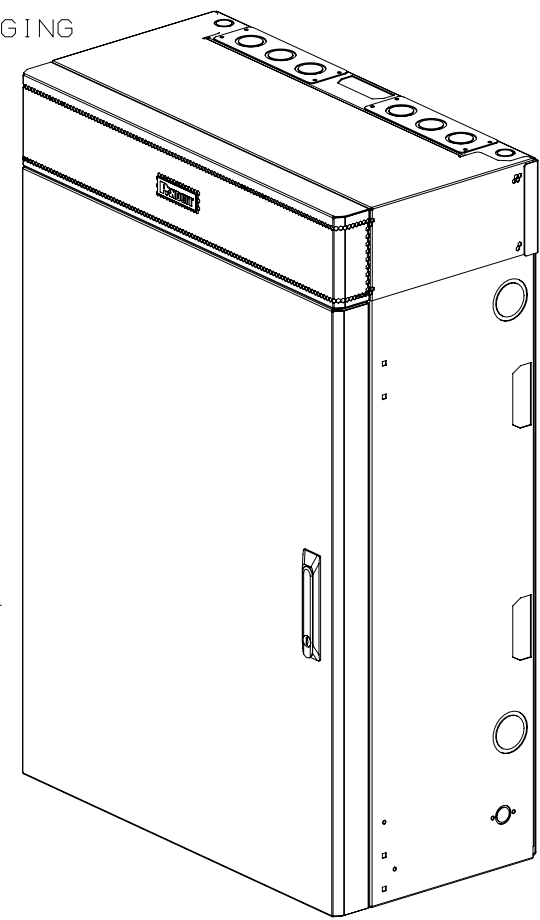
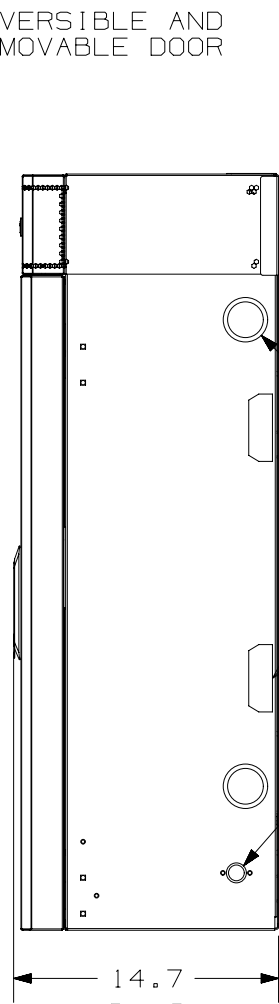
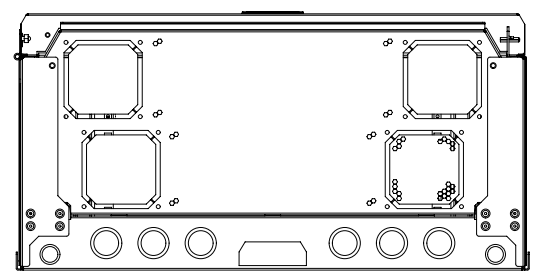
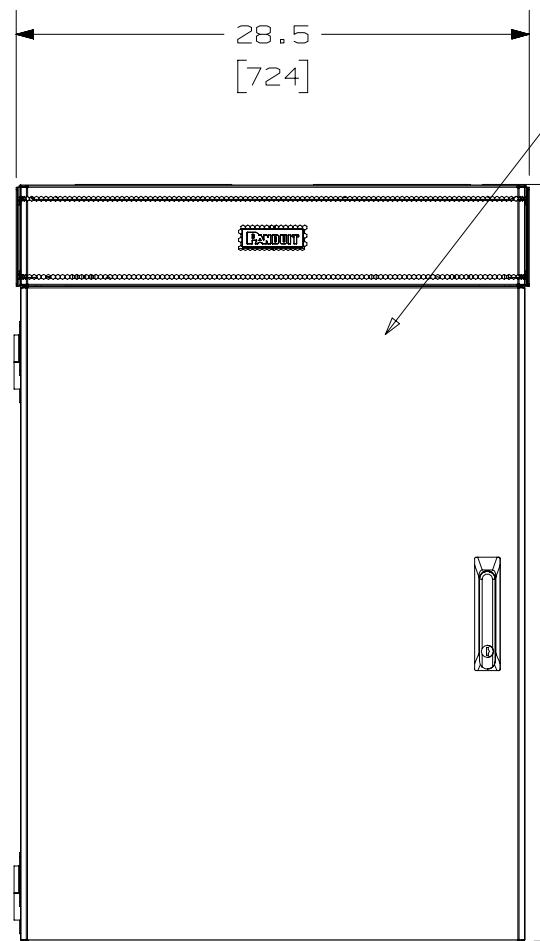
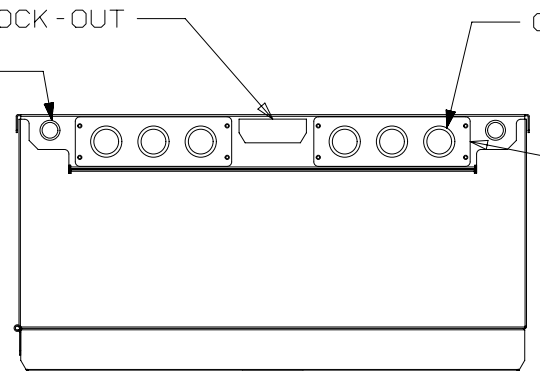
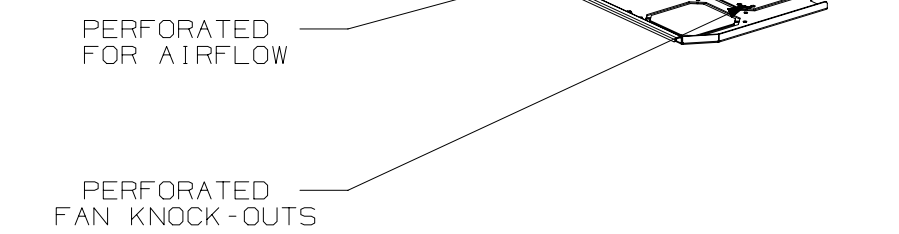
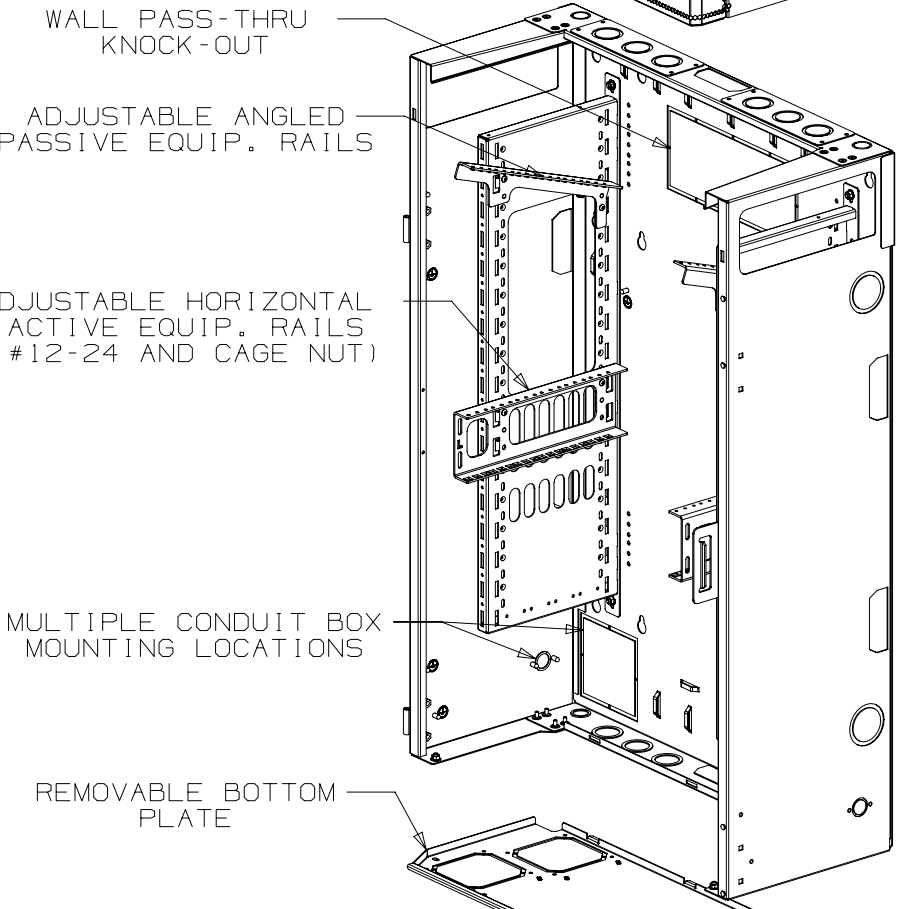
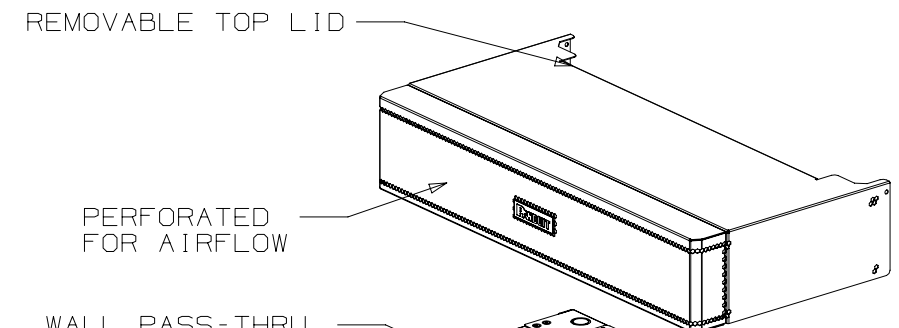


THIS COPY IS PROVIDED ON A RESTRICTED BASIS AND IS NOT TO BE USED IN ANY WAY DETRIMENTAL TO THE INTERESTS OF PANDUIT CORP.

T-70 RACEWAY KNOCK-OUT
 COMBINATION 1/2" OR 3/4" KNOCK-OUT
 COMBINATION 1" OR 1 1/4" KNOCK-OUT
 REMOVABLE PLATES FOR ADDITIONAL CABLE CAPACITY

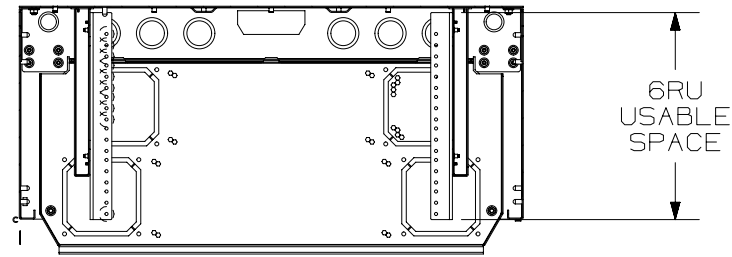


- NOTES:
- VISIT OUR ON-LINE CATALOG AT WWW.PANDUIT.COM FOR A LIST OF CURRENT PARTS APPLICABLE FOR USE WITH THIS PRODUCT.
 - DIMENSIONS IN [] ARE METRIC.
 - CAN BE USED WITH ANY 19" EIA STANDARD COMPONENT UP TO 36.9" [938mm] DEEP.
 - 6 AVAILABLE RACK SPACES. (6 ACTIVE &/OR 6 PASSIVE)
 - EQUIPMENT MOUNTING BRACKETS ARE ADJUSTABLE VERTICALLY IN 1.75" [44.5mm] INCREMENTS.
 - WEIGHT: 94 LB [42.6 kG]
 - LOAD CAPACITY: 400 LBS
 - TOP AND BOTTOM PANELS ARE REMOVABLE FOR ACCESS TO EQUIPMENT.
 - PART INCLUDES:
 - (1) VERTICAL WALL MOUNT ENCLOSURE
 - (1) PAIR OF HORIZONTAL ACTIVE EQUIPMENT RAILS (6RU)
 - (1) PAIR OF ANGLED PASSIVE EQUIPMENT RAILS (6RU)
 - (4) #12-24 SCREWS
 - (4) M5 THREAD FORMING BONDING SCREWS
 - (1) ROLL OF TAK-TY HOOK AND LOOP CABLE TIE
 - (2) KEYS
 - (1) ROLL OF GROMMET EDGING
 - (1) HARDWARE KIT

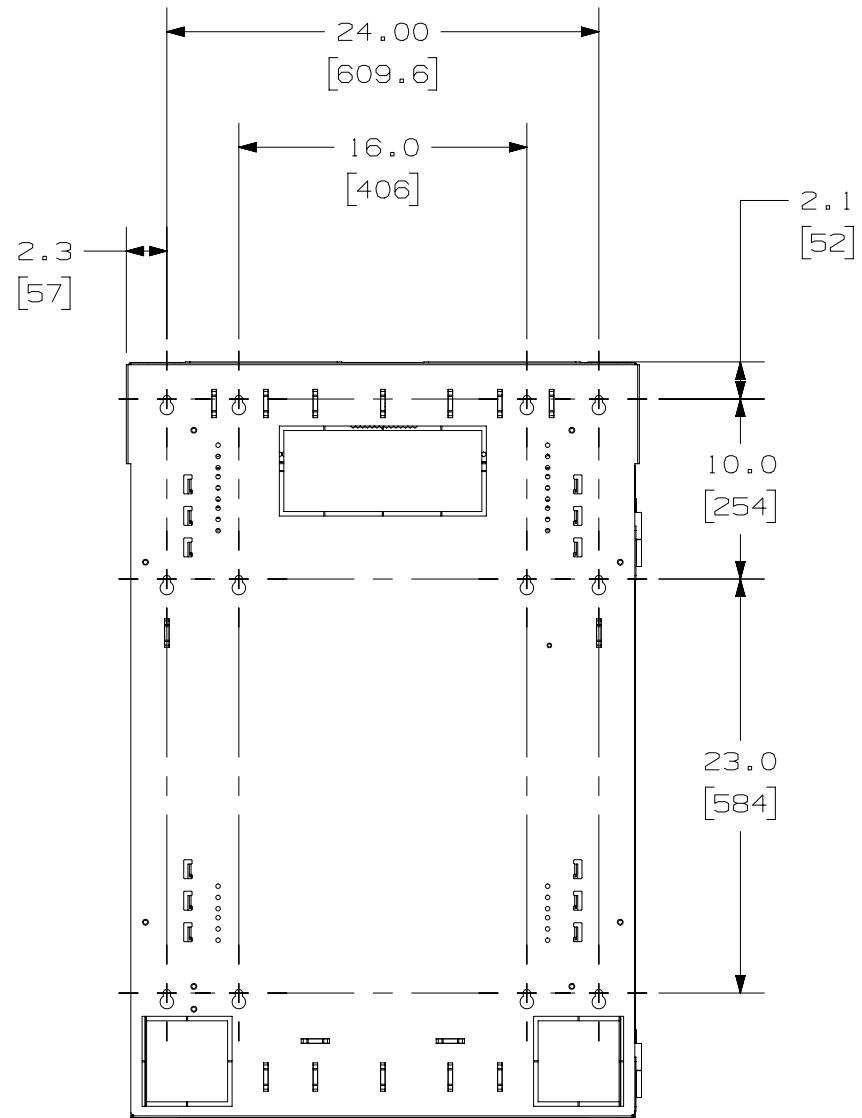
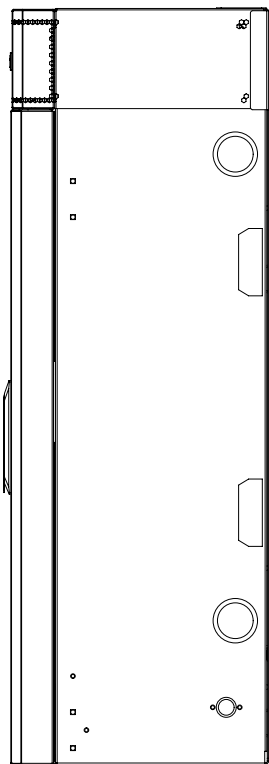
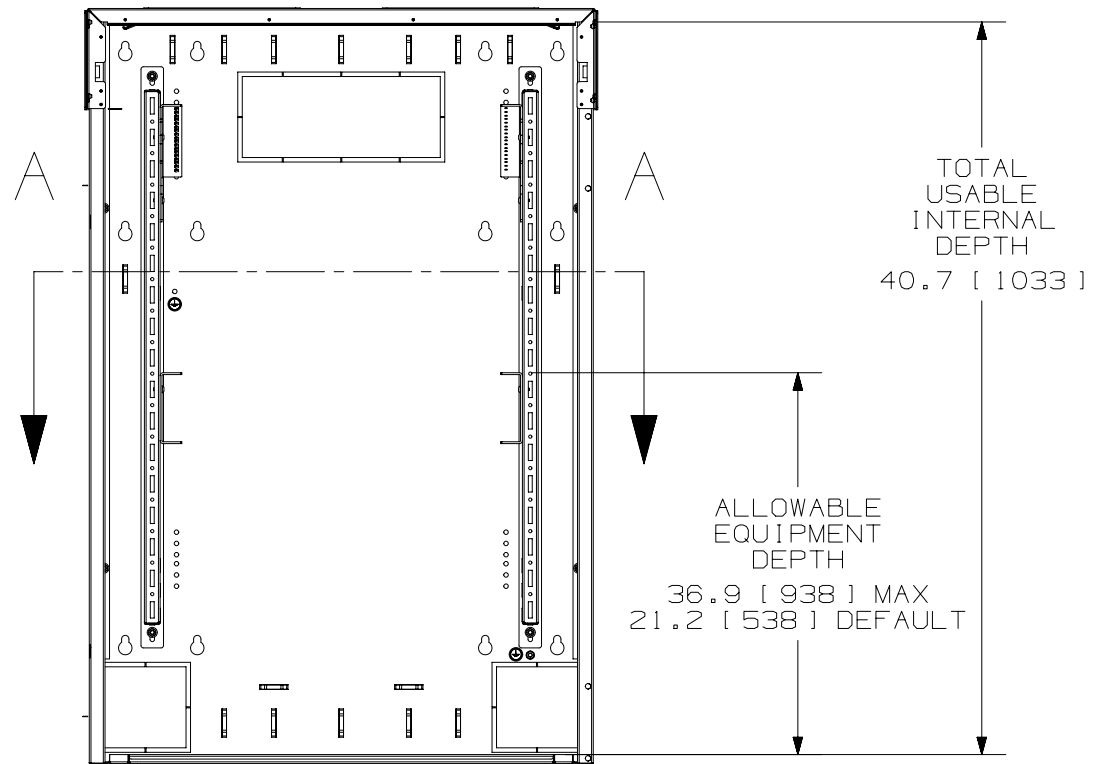
PART NUMBER		WME6BL		
TITLE				
VERTICAL WALL MOUNT ENCLOSURE 6RU				
CUSTOMER DRAWING				
ITEM REVISION NAME		00490EAB/01		
DATASET FILE NAME		00490EAB_DC/01A		
MATERIAL		STEEL		
DRAWN BY		TWW		
DATE		3-17-20		
CHK		KZU		
SCALE		NONE		
DRAWING NUMBER		00490EAB - DC		
SHEET 1 OF 3		B		

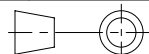
REV	DATE	BY	CHK	APR	DESCRIPTION	ECN
01A	3-17-20	TWV	KZU	BETL	RELEASED TO PRODUCTION	M09000LH

B-SIZE CUSTOMER



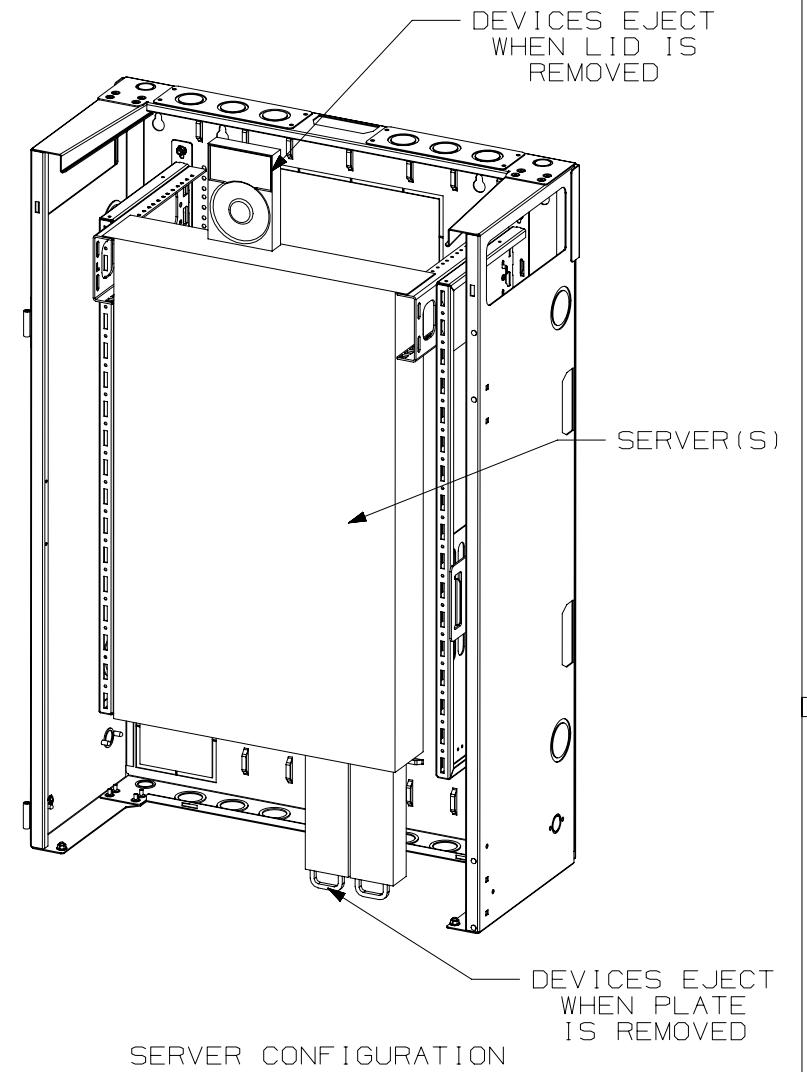
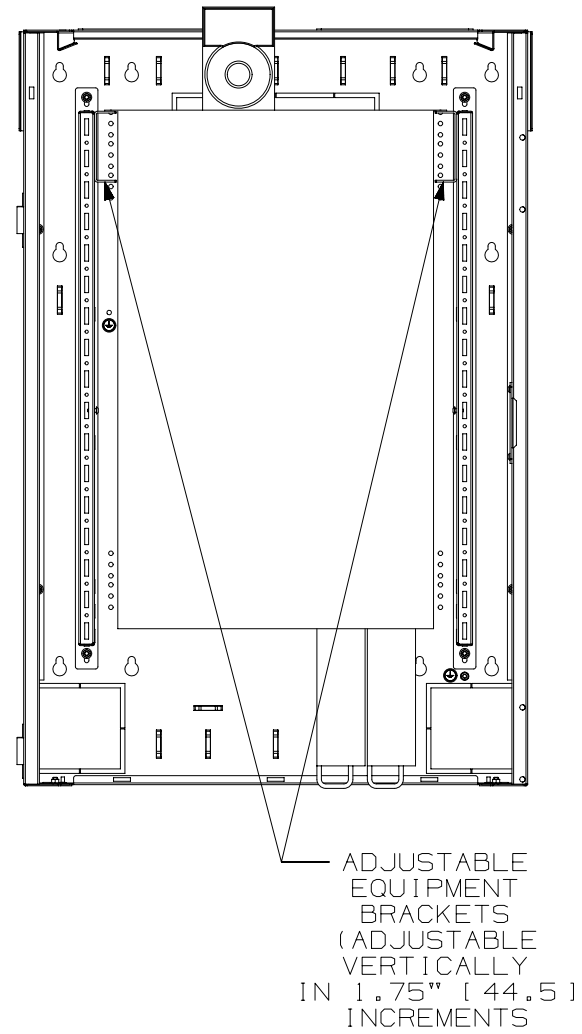
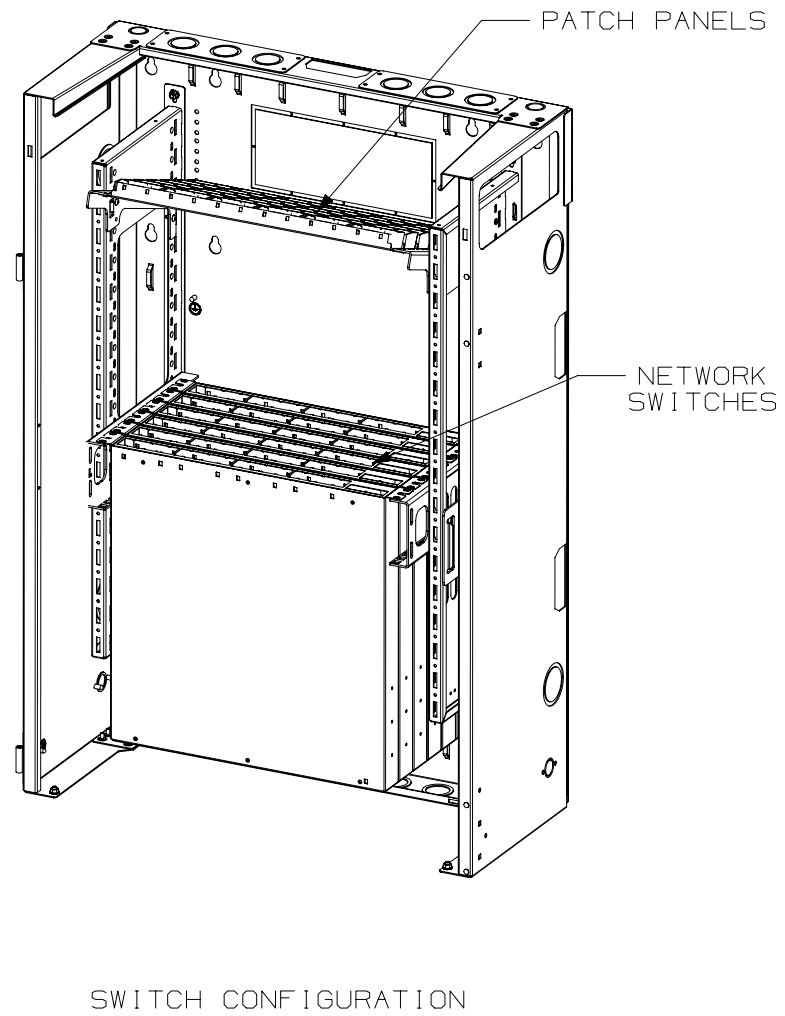
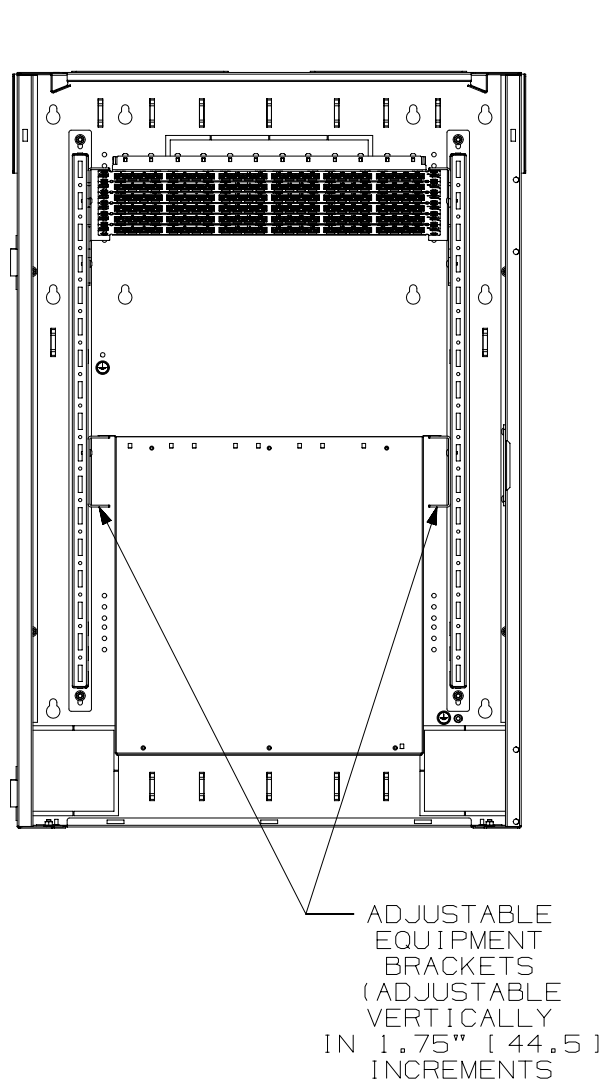
SECTION A - A

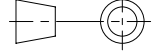



PART NUMBER		WME6BL		
TITLE		VERTICAL WALL MOUNT ENCLOSURE 6RU		
		CUSTOMER DRAWING		
ITEM REVISION NAME		00490EAB/01		
DATASET FILE NAME		00490EAB_DC/01A		
		 THIRD ANGLE PROJECTION		
MATERIAL		STEEL		DRAWING NUMBER
				00490EAB - DC
DRAWN BY	DATE	CHK	SCALE	SIZE
TWV	3-17-20	KZU	NONE	B
SHEET 2 OF 3				

REV	DATE	BY	CHK	APR	DESCRIPTION	ECN
01A	3-17-20	TWV	KZU	BETL	SEE SHEET ONE FOR REVISIONS	M09000LH

B-SIZE CUSTOMER



PART NUMBER		WME6BL	
TITLE		VERTICAL WALL MOUNT ENCLOSURE 6RU	
		CUSTOMER DRAWING	
ITEM REVISION NAME		00490EAB/01	
DATASET FILE NAME		00490EAB_DC/01A	
 THIRD ANGLE PROJECTION		 PANDUIT	
MATERIAL		STEEL	
DRAWING NUMBER		00490EAB-DC	
DRAWN BY	DATE	CHK	SCALE
TWV	3-17-20	KZU	NONE
SHEET 3 OF 3		SIZE B	

REV	DATE	BY	CHK	APR	DESCRIPTION	ECN
01A	3-17-20	TWV	KZU	BETL	SEE SHEET ONE FOR REVISIONS	M09000LH

B



A

B



A

2



1

2



1

B-SIZE CUSTOMER