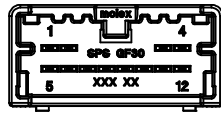
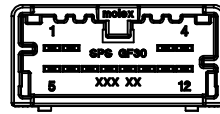


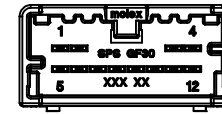
12 CIRCUIT VERTICAL HEADER
POLARIZATION OPTION A



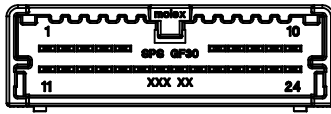
12 CIRCUIT VERTICAL HEADER
POLARIZATION OPTION B



12 CIRCUIT VERTICAL HEADER
POLARIZATION OPTION C

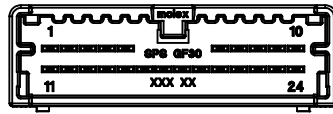


12 CIRCUIT VERTICAL HEADER
POLARIZATION OPTION D



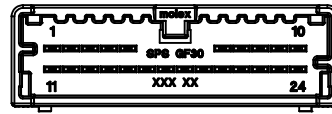
24 CIRCUIT VERTICAL HEADER
POLARIZATION OPTION A

NOT TOOLED



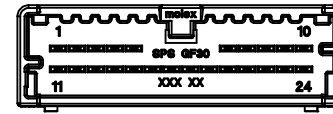
24 CIRCUIT VERTICAL HEADER
POLARIZATION OPTION B

NOT TOOLED



24 CIRCUIT VERTICAL HEADER
POLARIZATION OPTION C

NOT TOOLED



24 CIRCUIT VERTICAL HEADER
POLARIZATION OPTION D

NOT TOOLED

MINISO VERTICAL HEADER ASSEMBLIES

MATERIAL NUMBER TRAY PACKAGING PK-31301-688	CIRCUIT	POL	COLOR	BLADE PLATING	MATING COMPONENT
34825-0120	12	A	BLACK	TIN OVER NICKEL	34824-0120
34825-0121	12	B	GRAY	TIN OVER NICKEL	34824-0121
34825-0122	12	C	BROWN	TIN OVER NICKEL	34824-0122
34825-0123	12	D	GREEN	TIN OVER NICKEL	34824-0123
34825-0240 - NOT TOOLED	24	A	BLACK	TIN OVER NICKEL	34824-0240 - NOT TOOLED
34825-0241 - NOT TOOLED	24	B	GRAY	TIN OVER NICKEL	34824-0241 - NOT TOOLED
34825-0242 - NOT TOOLED	24	C	BROWN	TIN OVER NICKEL	34824-0242 - NOT TOOLED
34825-0243 - NOT TOOLED	24	D	GREEN	TIN OVER NICKEL	34824-0243 - NOT TOOLED

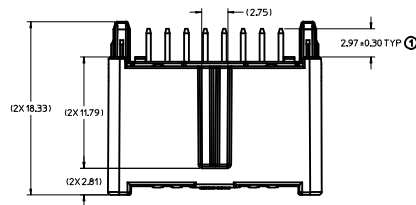
NOTES: VALID UNLESS OTHERWISE SPECIFIED

- GENERAL:
 - APPLICATION SPECIFICATION SEE: AS-34791-020
 - PRODUCT SPECIFICATION SEE: PS-34791-020
 - PACKAGING SPECIFICATION PER MOLEX DRAWING PK-31301-688
 - SOLDERABILITY PER SMES-152
 - PARTS MUST BE IN COMPLIANCE TO MOLEX CHEMICAL SUBSTANCES FOR PRODUCTS AND PACKAGING SPECIFICATION: OHS-699000-300
 - DATA MUST BE SUBMITTED UNDER THE MOLEX PART NUMBER TO IMDS (COMPANY ID:13255)
 - FLAMMABILITY REQUIREMENT: PER ISO3795 OR GM3191
 - VISUAL DEFECTS SHALL MEET COSMETIC STANDARD PS-45499-002 (Class B)
- DESIGN - MATERIALS:
 - SHROUD (PLASTIC HOUSING): SPS 30% GF, 20% REGRIND MAX PER WEIGHT
 - BLADES:
 - BASE METAL: C260 BRASS
 - PLATING REQUIREMENTS:
 - TIN OVER NICKEL:
 - UNDERPLATING:
 - OVERALL NICKEL
 - OVERPLATING:
 - OVERALL TIN
- DESIGN - GEOMETRY:
 - THIS IS A 100% CAD GENERATED PART. THE CAD MATHEMATICAL DATA IS THE MASTER FOR THIS PART. FOR DIMENSIONAL OR ANY INFORMATION NOT SHOWN ON THIS DRAWING, ANALYZE THE CAD MODEL.
 - GEOMETRIC DIMENSIONS AND TOLERANCES PER ASME Y14.5M - 1994
 - GENERAL TOLERANCES: SEE TITLE BLOCK
 - EDGES AND UNDIMENSIONED DETAILS PER ISO13715
 - CORNERS SHOWN AS SHARP TO BE R 0.1 MAX
 - LETTERS SHALL BE 0.10 MAX RAISED. THIS INCLUDES RECYCLING CODE, PLANT AND CAVITY ID, VENDOR ID, AND CIRCUIT ID.

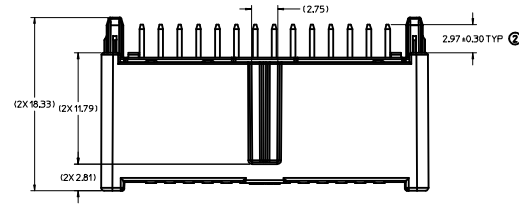
LAST BALLOON ON DRAWING:
⑥
DELETED BALLOONS:

INITIAL RELEASE EC NO. UAU2011-1023 DRAWING NO. 2011/02/25 APPR: SMARCEAU REV: 2011/05/18	QUALITY SYMBOLS	GENERAL TOLERANCES (UNLESS SPECIFIED)	DIMENSION STYLE	SCALE	DESIGN UNITS	THIRD ANGLE PROJECTION
	$\nabla=0$ $\nabla=0$ $\nabla=0$	mm INCH 4 PLACES ± --- ± --- 3 PLACES ± --- ± --- 2 PLACES ± 0.10 ± --- 1 PLACE ± 0.20 ± ---	mm ONLY DRAWN BY DATE TUCUCU 2011/02/25 CHECKED BY DATE TMACHUGA 2011/02/28 APPROVED BY DATE SMARCEAU 2011/05/18	5:1	METRIC	
	DRAFT WHERE APPLICABLE MUST REMAIN WITHIN DIMENSIONS	MATERIAL NO. SEE TABLE	DOCUMENT NO. SD-34825-000	MINISO DUAL ROW VERTICAL ASSEMBLY SALES DRAWING MOLEX INCORPORATED		
		SHEET NO. 1 OF 2	THIS DRAWING CONTAINS INFORMATION THAT IS PROPRIETARY TO MOLEX, INCORPORATED AND SHOULD NOT BE USED WITHOUT WRITTEN PERMISSION			

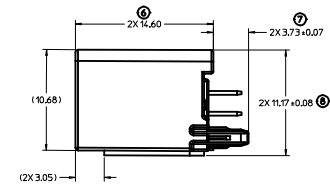
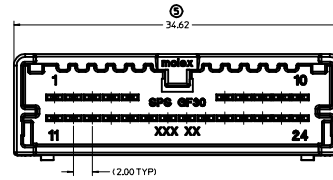
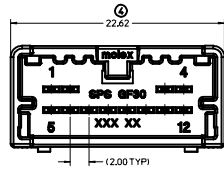
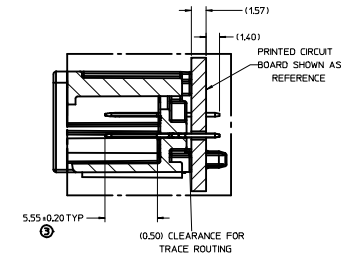
12 CIRCUIT VERTICAL HEADER



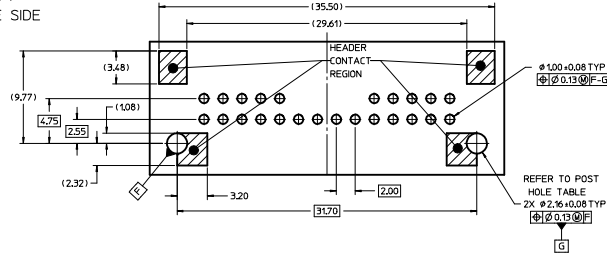
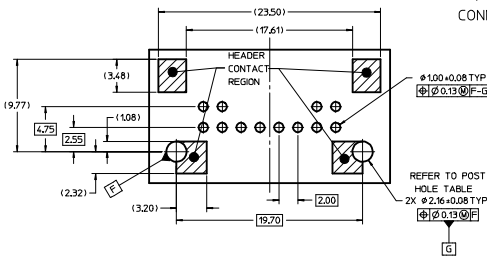
24 CIRCUIT VERTICAL HEADER



HEADER TO PCB
FLUSH MOUNT



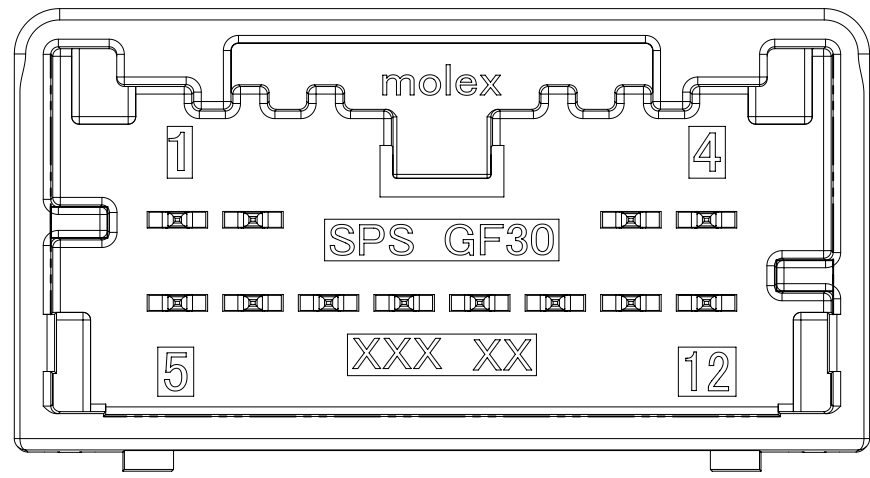
PCB LAYOUT
CONNECTOR MATE SIDE



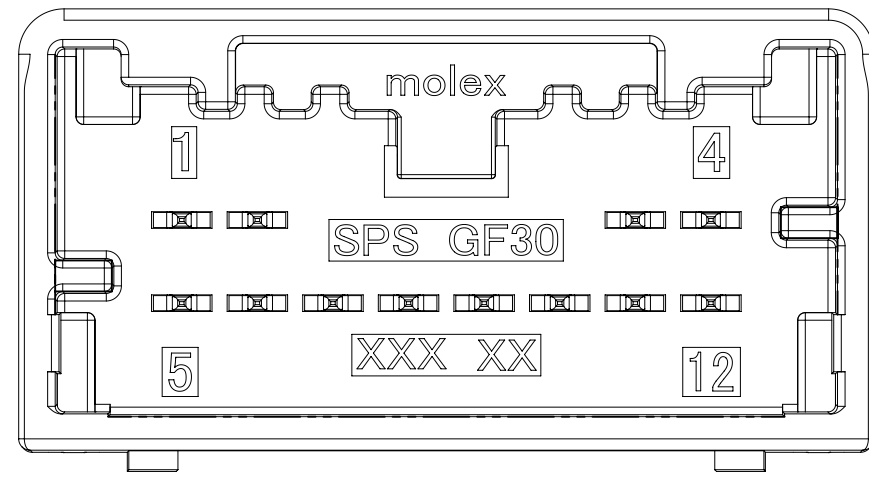
POST HOLE TABLE

	DM 'E'
PRESS FIT	2.15
DROP IN	2.55

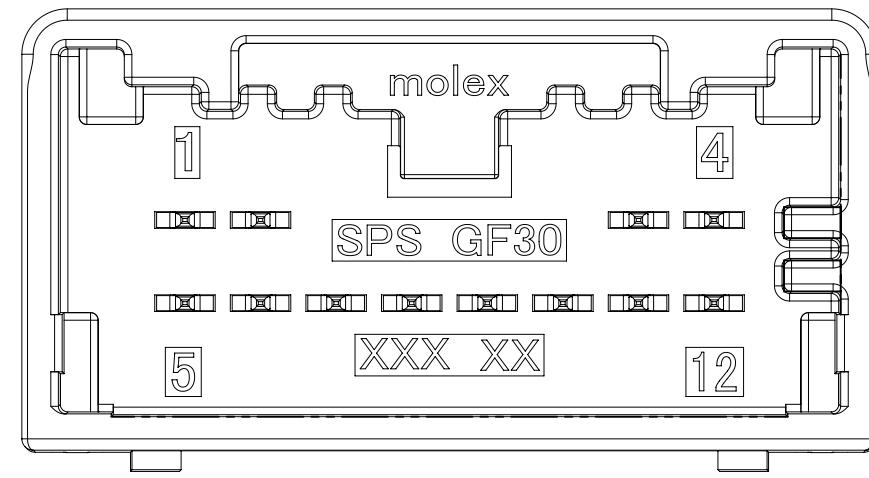
INITIAL RELEASE EC NO. UAU2011-1023 DRAWN TO CO 2011/02/25 APPR. SMARCEAU 2011/05/18	QUALITY SYMBOLS	GENERAL TOLERANCES (UNLESS SPECIFIED)	DIMENSION STYLE	SCALE	DESIGN UNITS	THIRD ANGLE PROJECTION
	∇=0 ∇=0 ∇=0	mm INCH 4 PLACES ± --- ± --- 3 PLACES ± --- ± --- 2 PLACES ± 0.10 ± --- 1 PLACE ± 0.20 ± --- ANGULAR ± 3°	MM ONLY DRAWN BY DATE TUCUCU 2011/02/25 CHECKED BY DATE TMACHUGA 2011/02/28 APPROVED BY DATE SMARCEAU 2011/05/18	5:1	METRIC	THIRD ANGLE PROJECTION MINISO DUAL ROW VERTICAL ASSEMBLY SALES DRAWING
	DRAFT WHERE APPLICABLE MUST REMAIN WITHIN DIMENSIONS	SEE TABLE THIS DRAWING CONTAINS INFORMATION THAT IS PROPRIETARY TO MOLEX INCORPORATED AND SHOULD NOT BE USED WITHOUT WRITTEN PERMISSION	MATERIAL NO. DOCUMENT NO. SD-34825-000	SHEET NO. 2 OF 2		



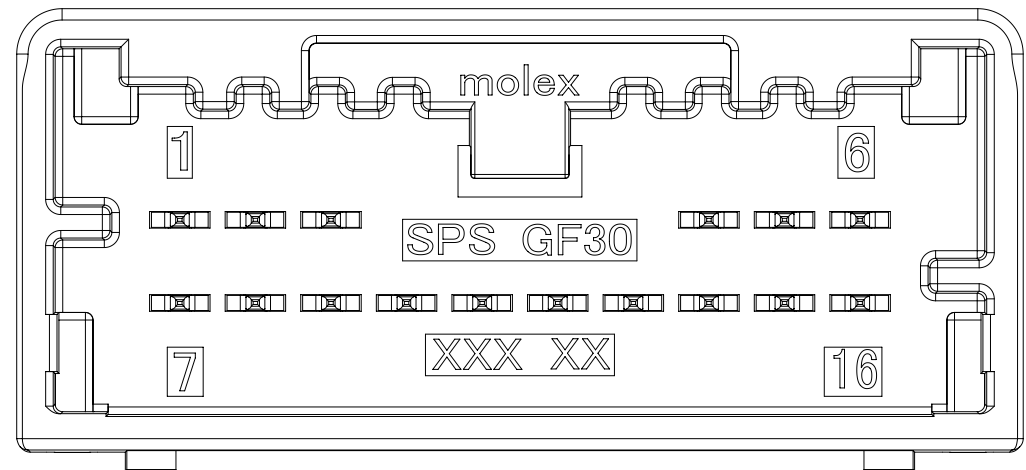
12 CIRCUIT VERTICAL USCAR HEADER
POLARIZATION OPTION A



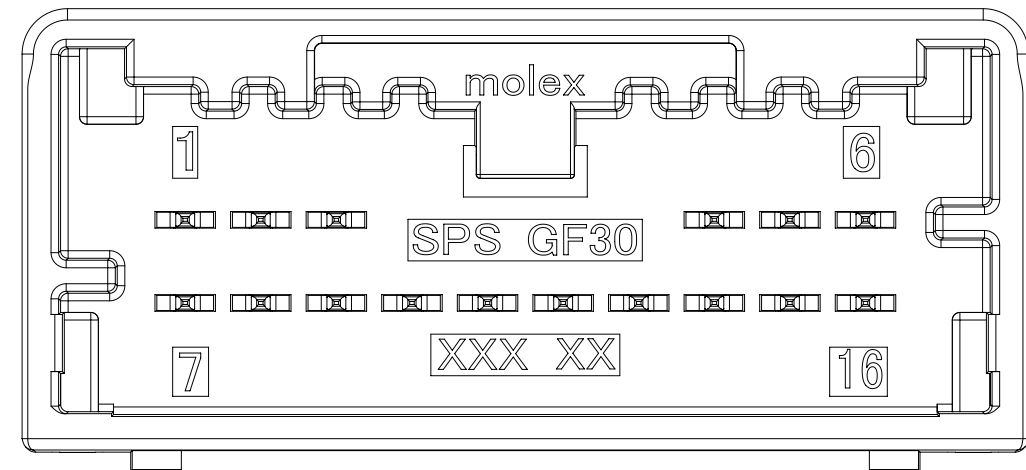
12 CIRCUIT VERTICAL USCAR HEADER
POLARIZATION OPTION B



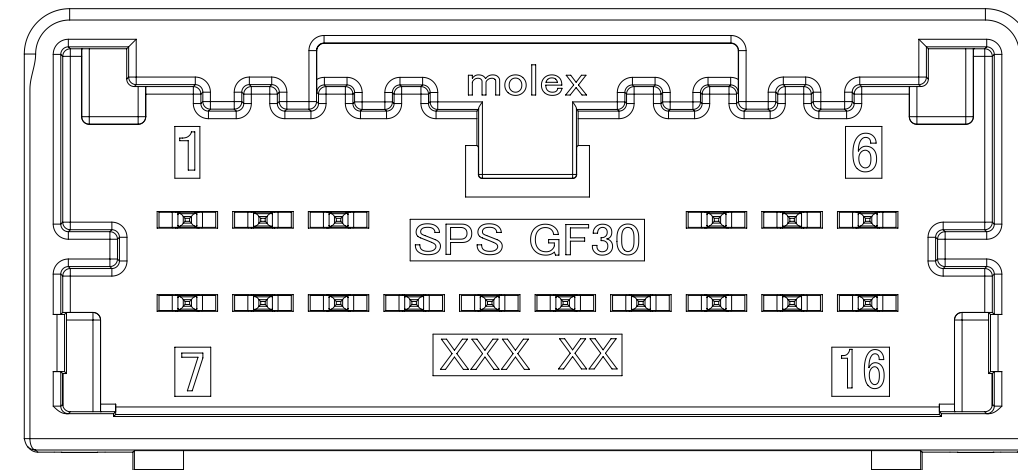
12 CIRCUIT VERTICAL USCAR HEADER
POLARIZATION OPTION C



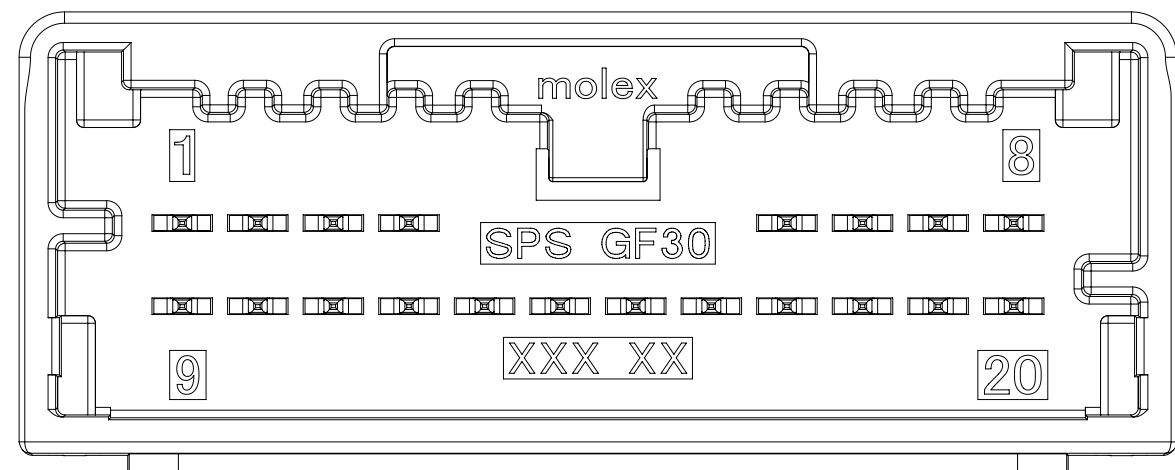
16 CKT VERTICAL HEADER
POLARIZATION OPTION A



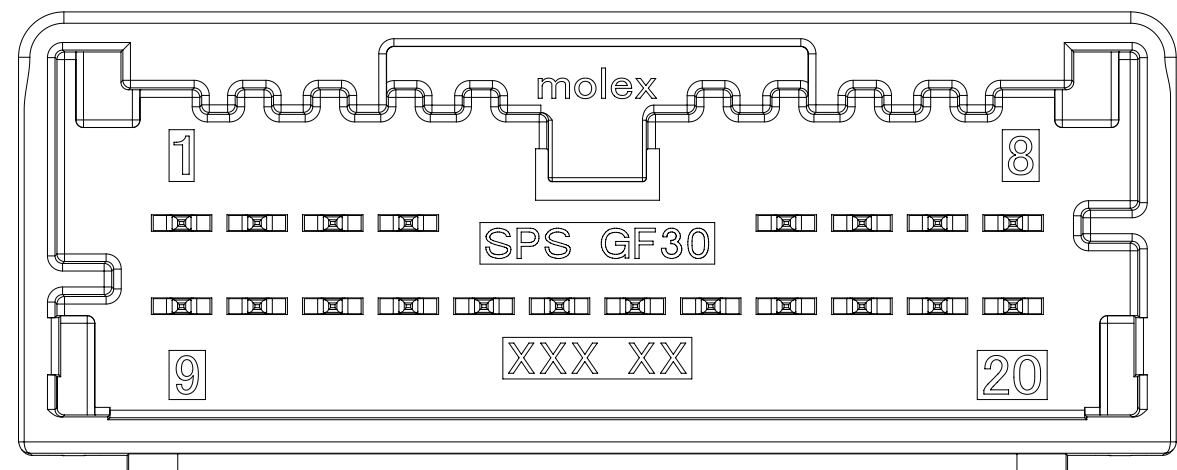
16 CKT VERTICAL HEADER
POLARIZATION OPTION B



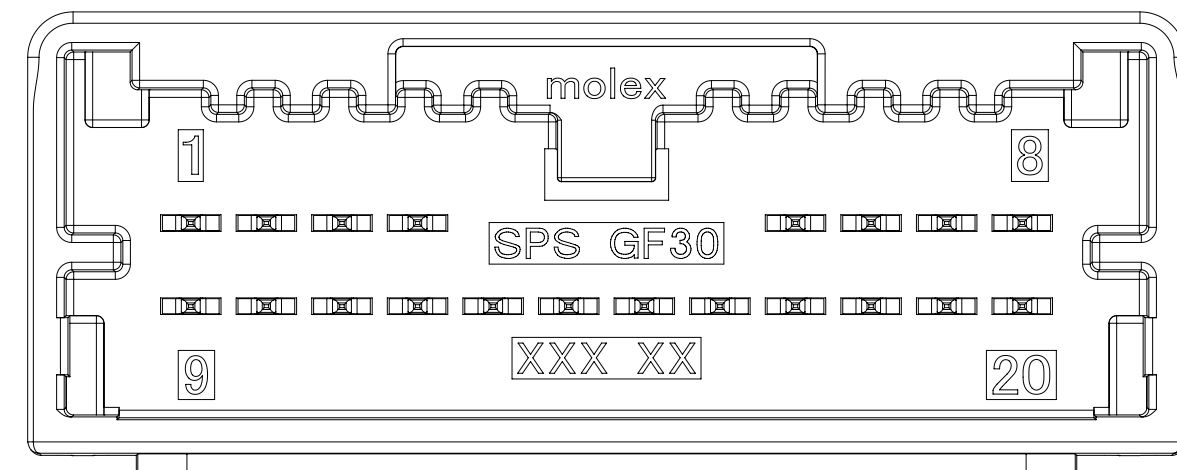
16 CKT VERTICAL HEADER
POLARIZATION OPTION C



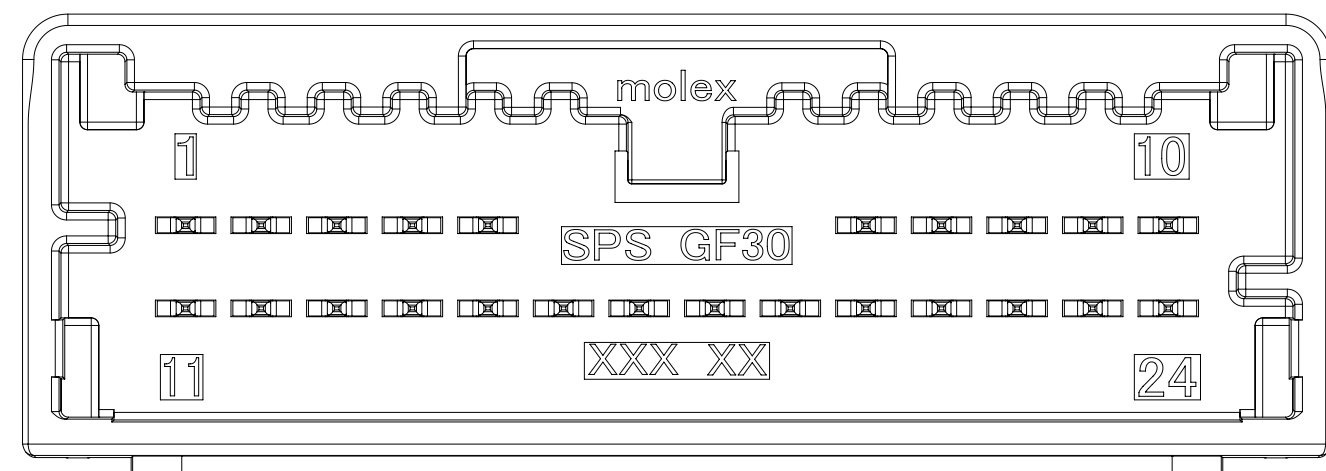
20 CKT VERTICAL HEADER
POLARIZATION OPTION A



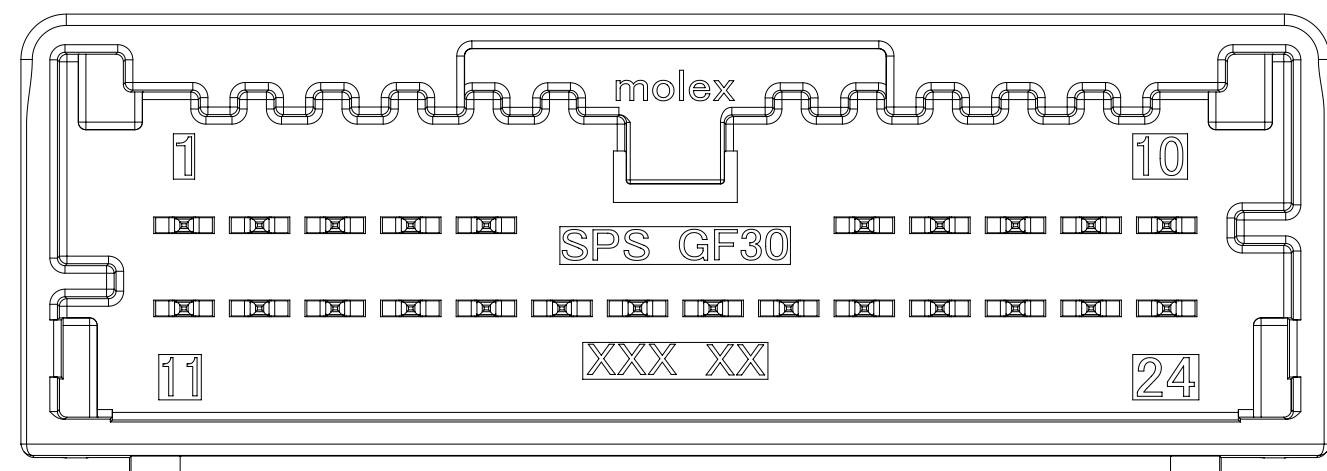
20 CKT VERTICAL HEADER
POLARIZATION OPTION B



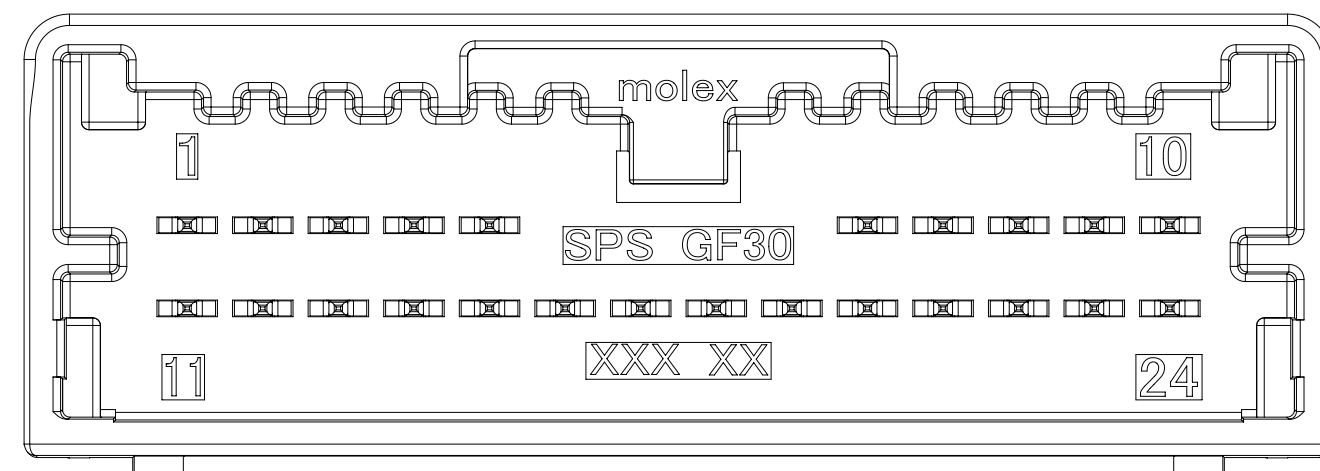
20 CKT VERTICAL HEADER
POLARIZATION OPTION C



24 CKT VERTICAL HEADER
POLARIZATION OPTION A



24 CKT VERTICAL HEADER
POLARIZATION OPTION B



24 CKT VERTICAL HEADER
POLARIZATION OPTION C

NOTES: VALID UNLESS OTHERWISE SPECIFIED

1. GENERAL:
 - a. APPLICATION SPECIFICATION SEE: AS-34791-020
 - b. PRODUCT SPECIFICATION SEE: PS-34791-020
 - c. PACKAGING SPECIFICATION PER MOLEX DRAWING: SEE CHART
 - d. SOLDERABILITY PER SMES-152
 - e. PARTS MUST BE IN COMPLIANCE TO MOLEX CHEMICAL SUBSTANCES FOR PRODUCTS AND PACKAGING SPECIFICATION: QEHS-699000-300
 - f. DATA MUST BE SUBMITTED UNDER THE MOLEX PART NUMBER TO IMDS (COMPANY ID#13255)
 - g. FLAMMABILITY REQUIREMENT: PER ISO3795 OR GM3191
 - h. VISUAL DEFECTS SHALL MEET COSMETIC STANDARD PS-45499-002 (Class B)
2. DESIGN - MATERIALS:
 - a. SHROUD (PLASTIC HOUSING): SPS 30% GF, 20% REGRIND MAX PER WEIGHT
 - b. BLADES:
 - BASE METAL: C260 BRASS
 - PLATING REQUIREMENTS:
 - TIN OVER NICKEL:
 - UNDERPLATING:
 - OVERALL NICKEL
 - OVERPLATING:
 - OVERALL TIN
3. DESIGN - GEOMETRY:
 - a. THIS IS A 100% CAD GENERATED PART. THE CAD MATHEMATICAL DATA IS THE MASTER FOR THIS PART. FOR DIMENSIONAL OR ANY INFORMATION NOT SHOWN ON THIS DRAWING, ANALYZE THE CAD MODEL.
 - b. GEOMETRIC DIMENSIONS AND TOLERANCES PER ASME Y14.5M - 2009
 - c. GENERAL TOLERANCES: SEE TITLE BLOCK
 - d. EDGES AND UNDIMENSIONED DETAILS PER ISO13715
 - e. CORNERS SHOWN AS SHARP TO BE R 0.1 MAX
 - f. LETTERING SHALL BE 0.10 MAX RAISED. THIS INCLUDES RECYCLING CODE, PLANT AND CAVITY ID, VENDOR ID, AND CIRCUIT ID.

INSPECTION BALLOON NUMBER LOG	
PER DRAWING REVISION: G2	
LAST BALLOON USED: 20	
ADDED BALLOON NUMBERS: 19, 20	
REMOVED BALLOON NUMBERS: 1, 2, 3, 4, 5, 6	
G3	UPDATED VIEWS TO MATCH CURRENT PRODUCTION. DIMS AND GEOMETRY DID NOT CHANGE
G2	ADDED NOTE AND PIN TP TO SHEET 2
G1	NX REMASTERING
REV	DESCRIPTION

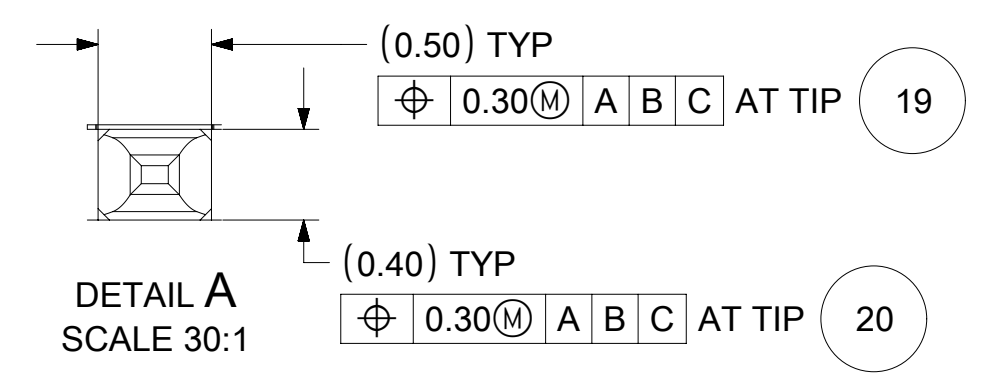
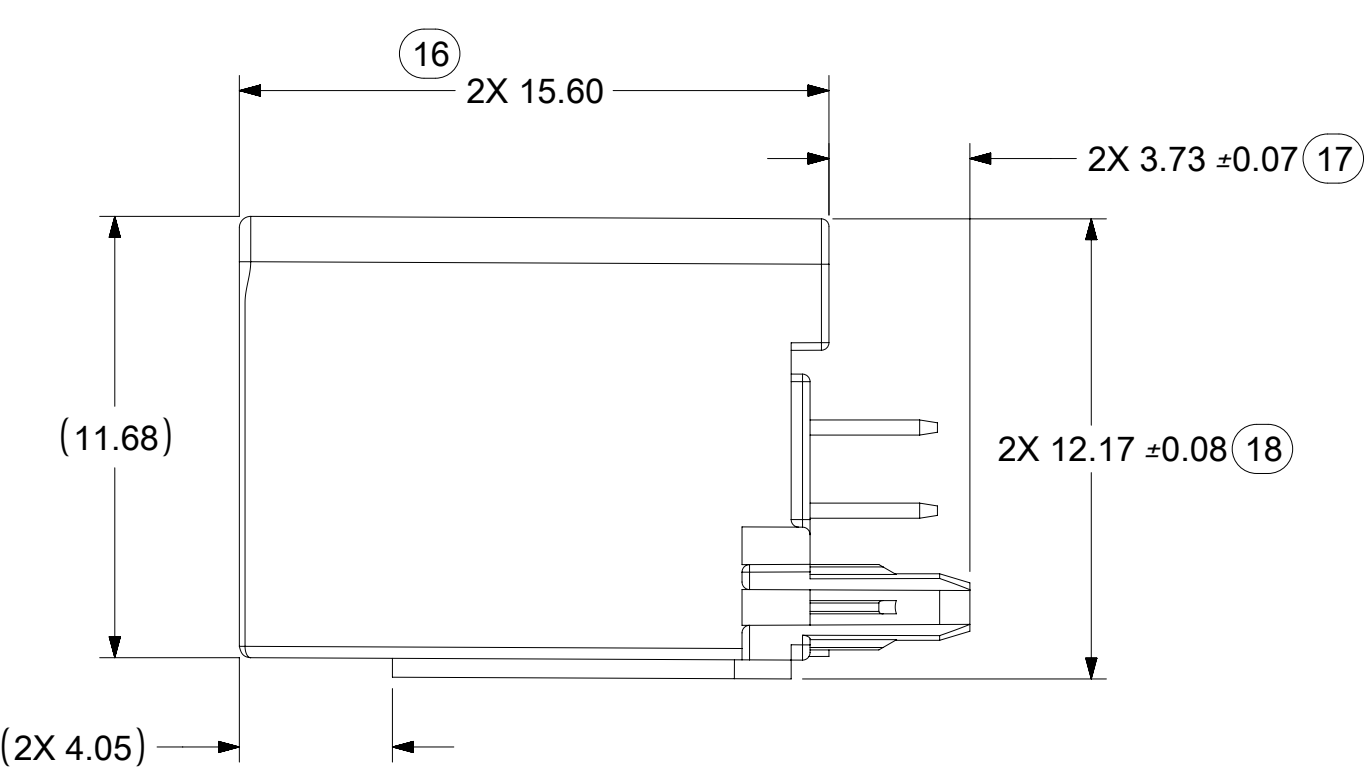
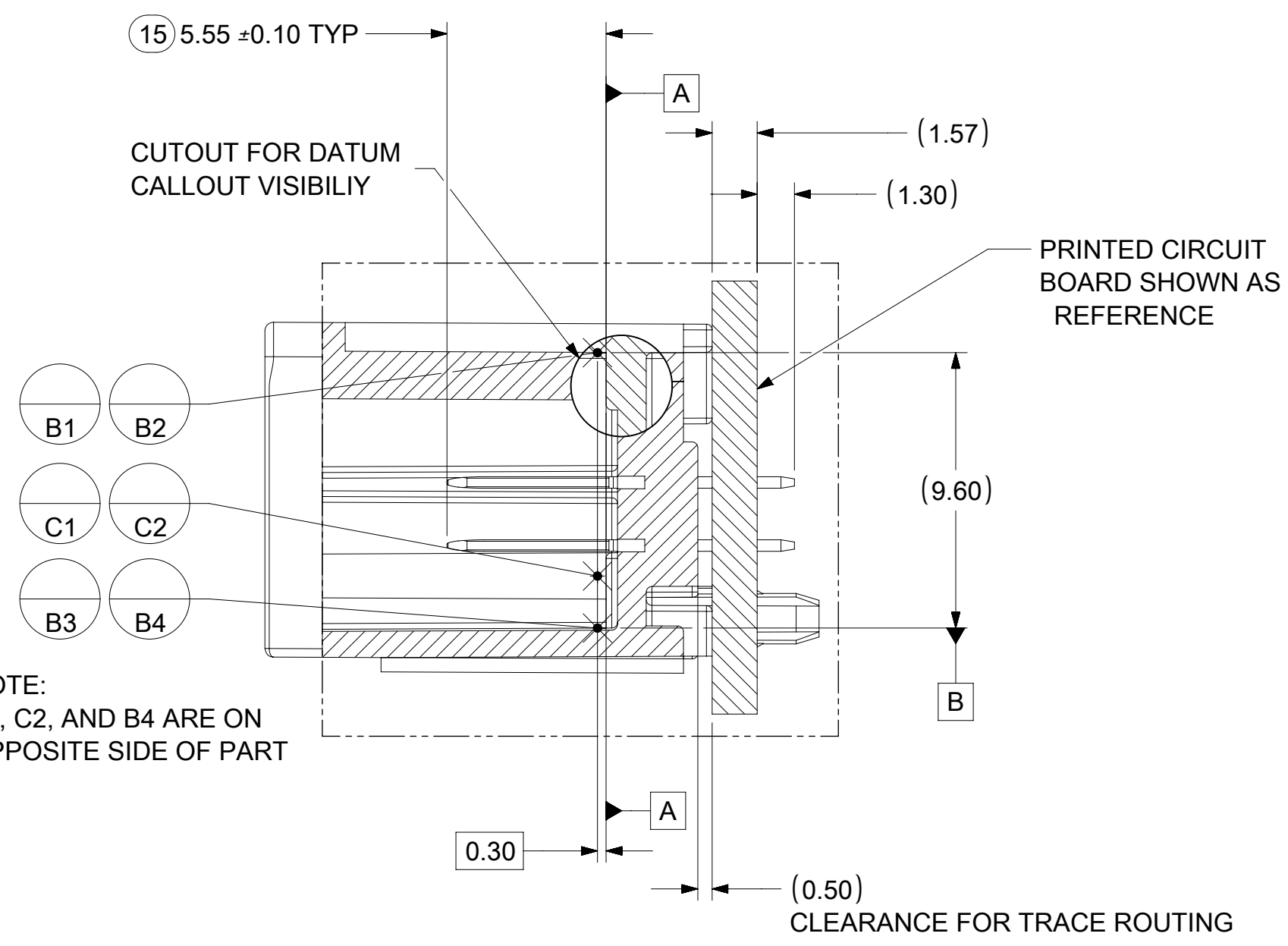
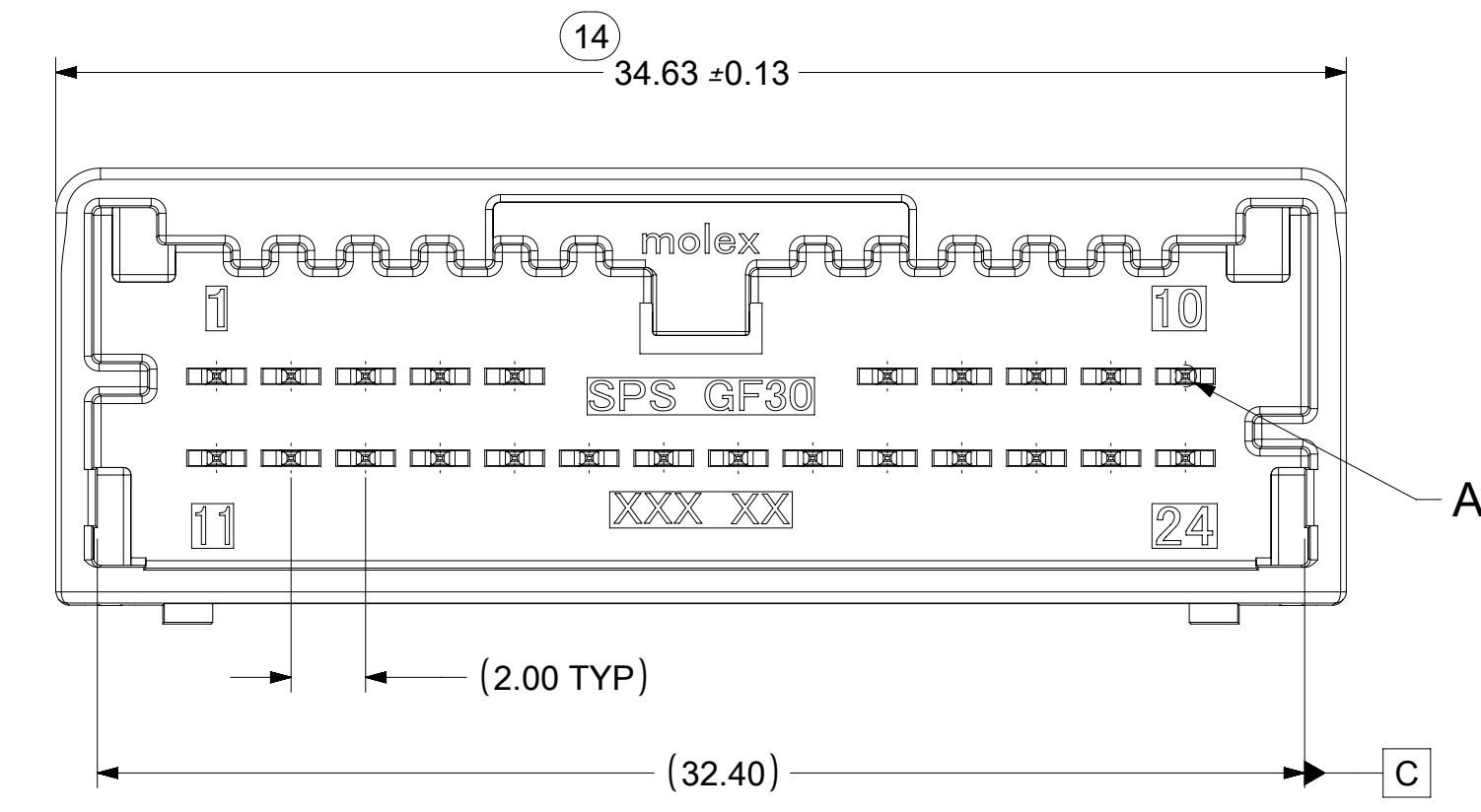
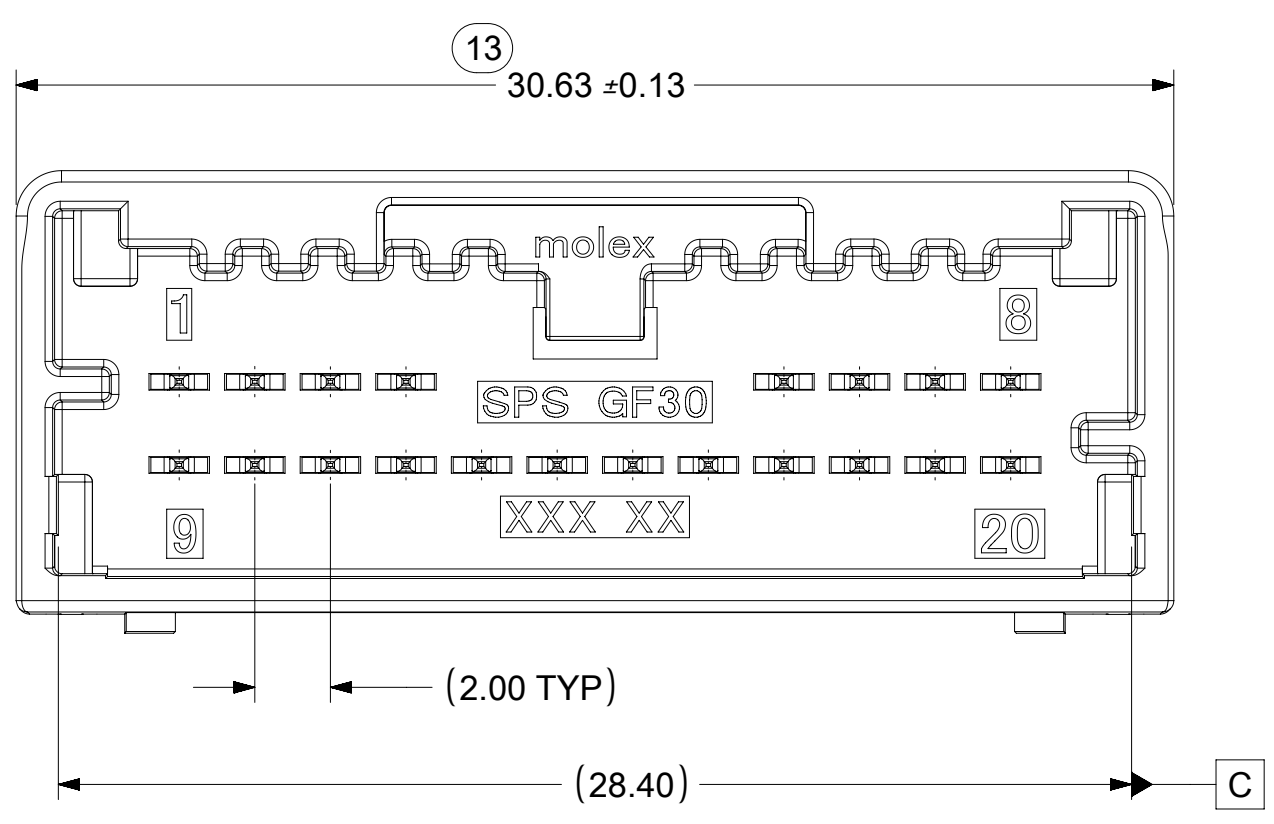
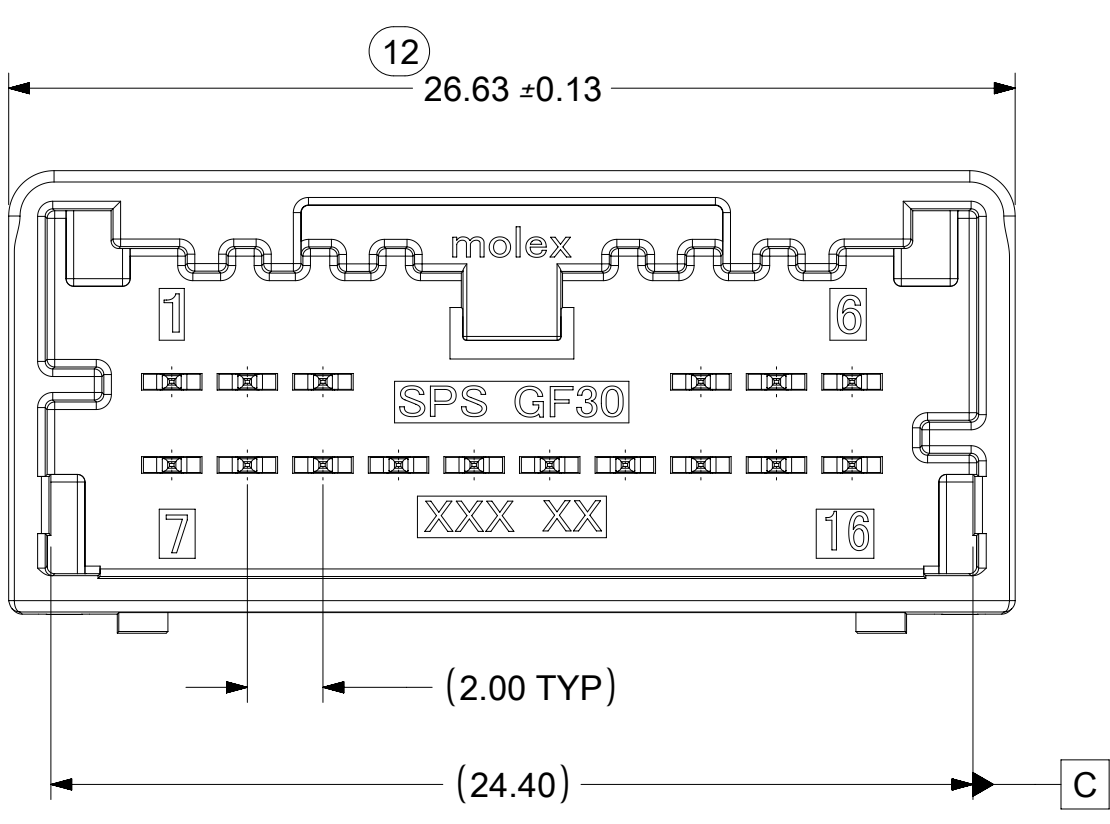
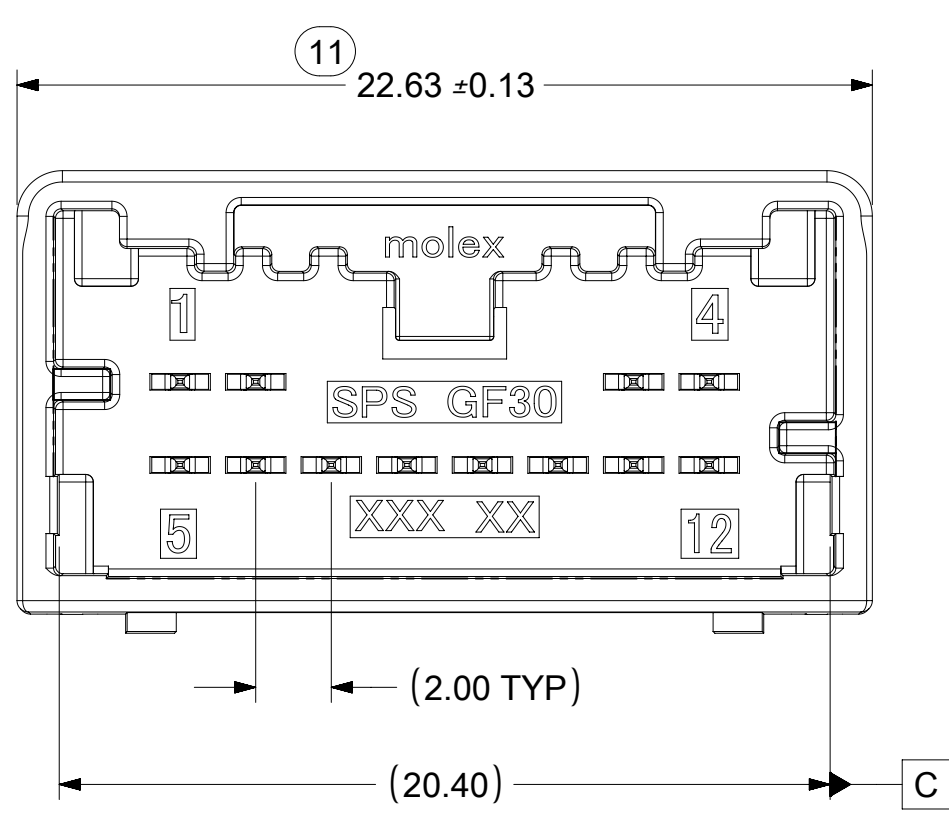
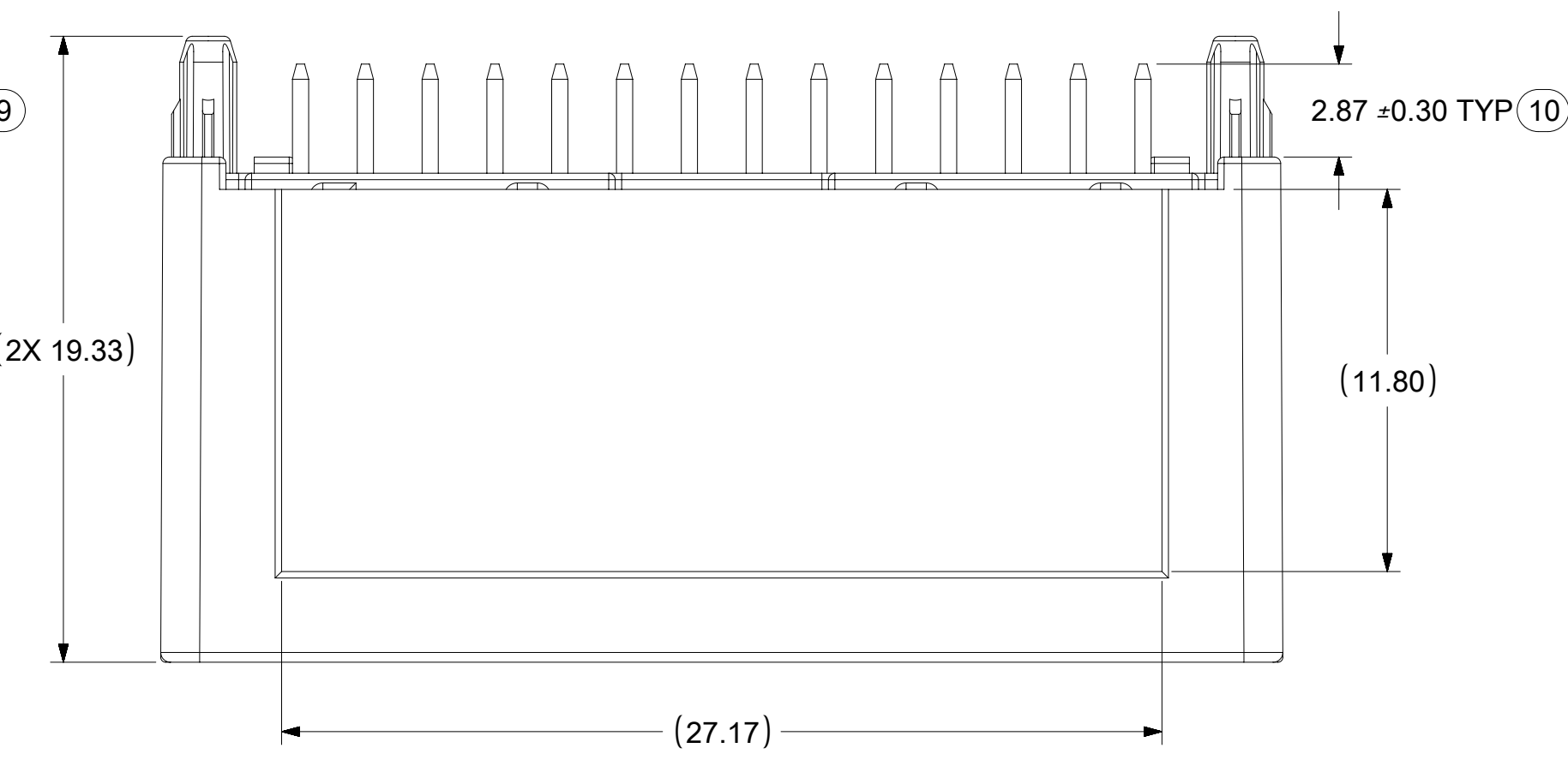
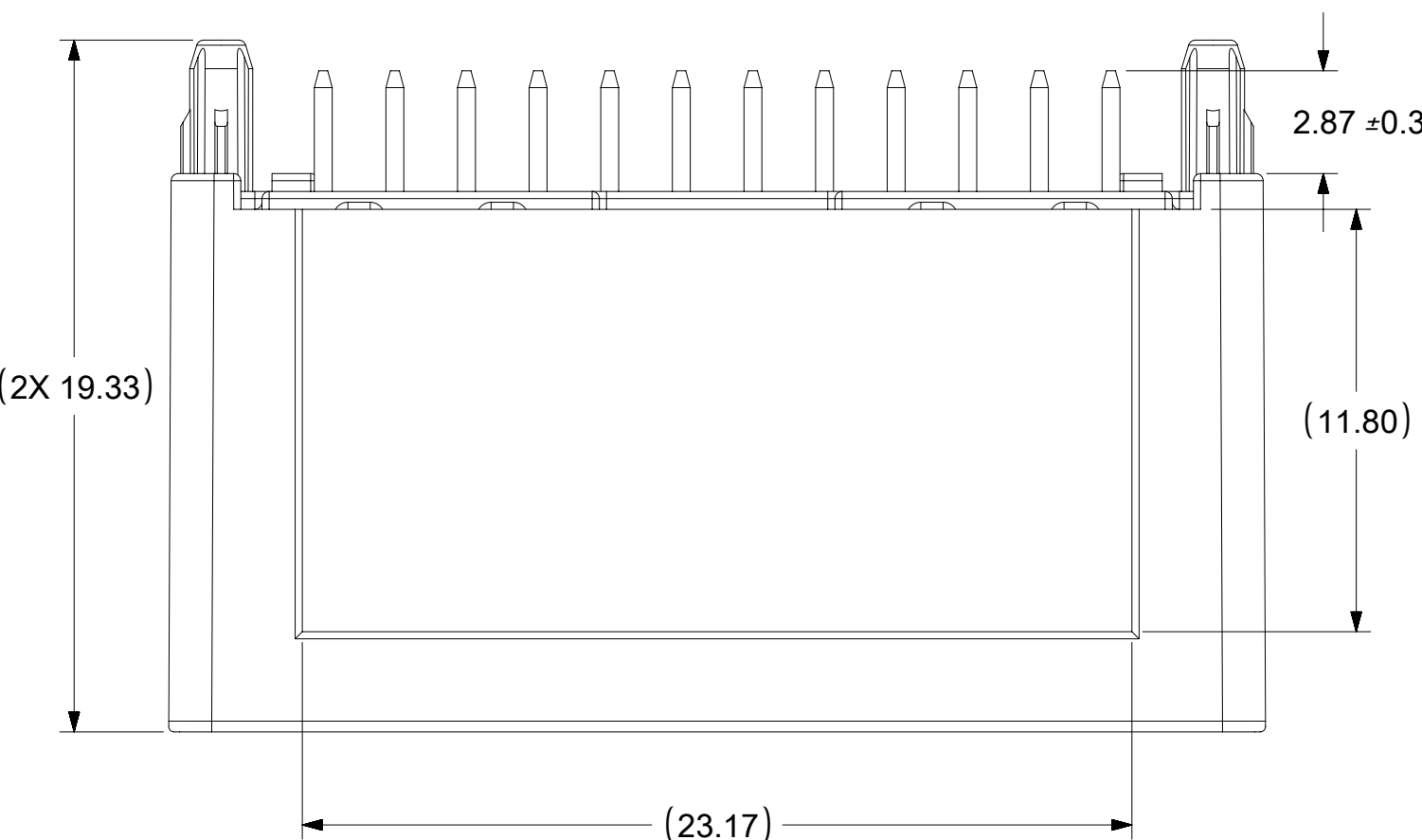
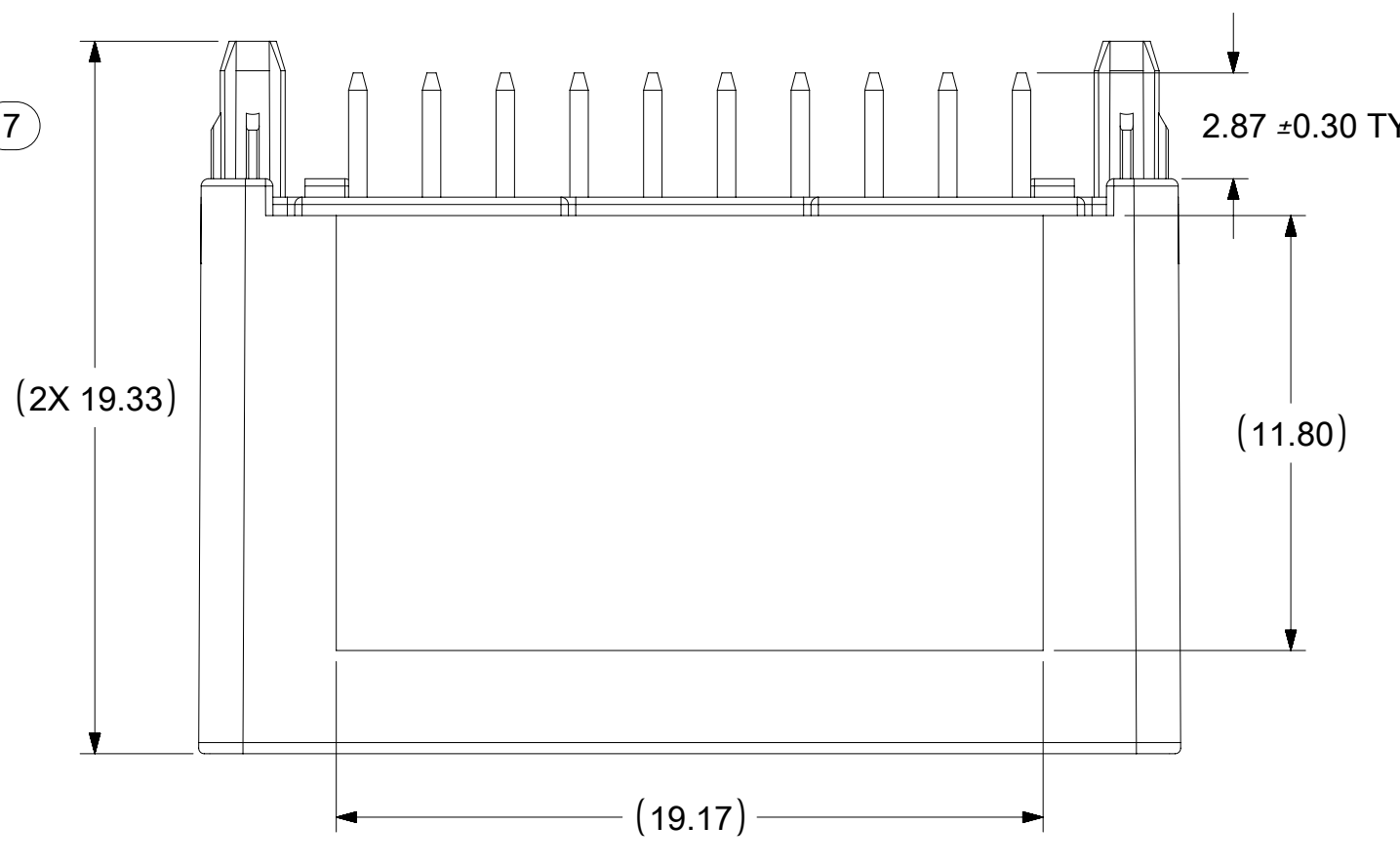
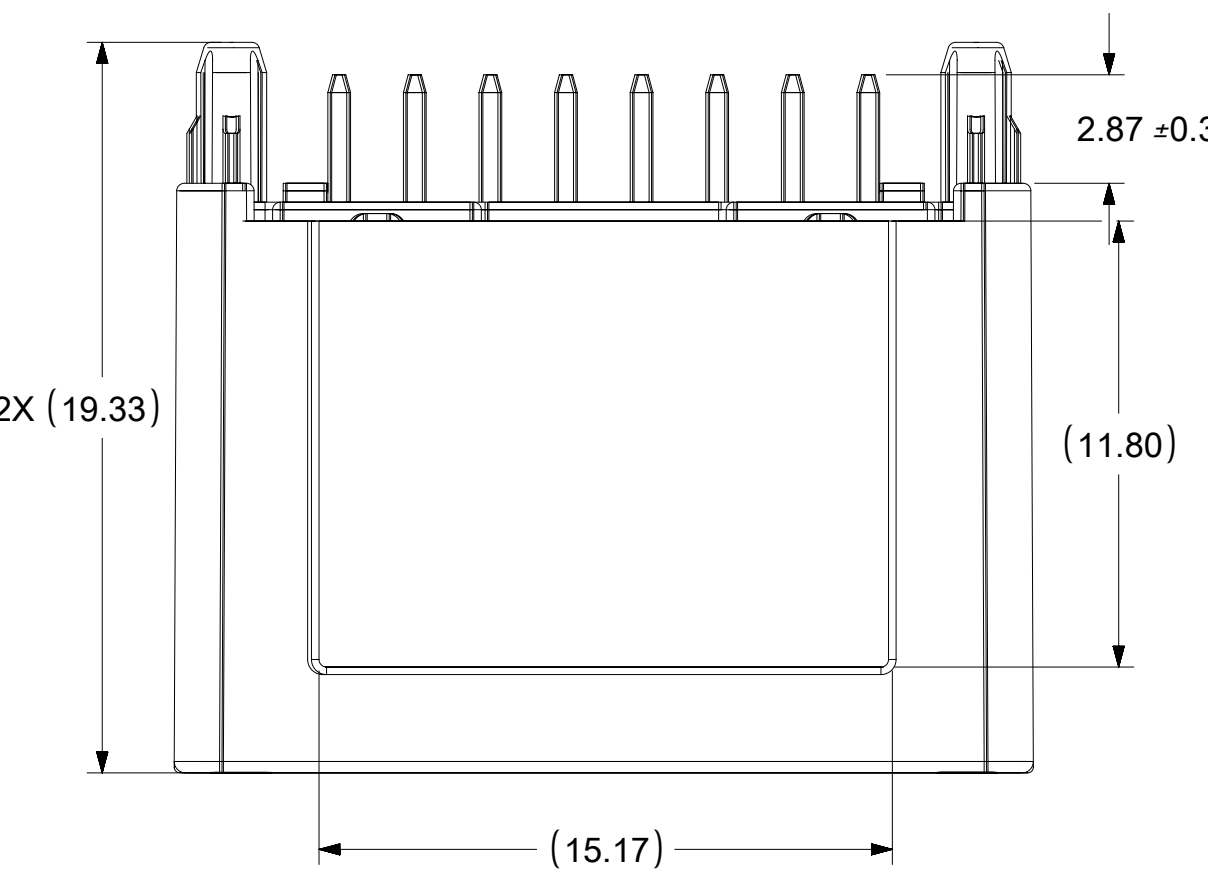
QUALITY SYMBOLS		THIS DRAWING CONTAINS INFORMATION THAT IS PROPRIETARY TO MOLEX ELECTRONIC TECHNOLOGIES, LLC AND SHOULD NOT BE USED WITHOUT WRITTEN PERMISSION	
▽ = 0	2019/06/17	GENERAL TOLERANCES (UNLESS SPECIFIED)	DIMENSION UNITS
▽ = 0	2019/07/09	ANGULAR TOL ± 3.0 °	SCALE
▽ = 0	2019/07/11	4 PLACES ±	MM ONLY
▽ = 0		3 PLACES ±	5:1
▽ = 0		2 PLACES ± 0.1	DRWN BY
▽ = 0		1 PLACE ± 0.2	DATE
▽ = 0		0 PLACES ±	TCUCU
▽ = 0		DRAFT WHERE APPLICABLE MUST REMAIN WITHIN DIMENSIONS	2011/02/25
▽ = 0			CHKD BY
▽ = 0			DATE
▽ = 0			TMACHUGA
▽ = 0			2011/02/28
▽ = 0			APPR BY
▽ = 0			DATE
▽ = 0			SMARCEAU
▽ = 0			2012/05/03
▽ = 0			DRAWING SIZE
▽ = 0			THIRD ANGLE PROJECTION
▽ = 0			D
▽ = 0			
EC NO: 620513	DRWN: SRUSS	PRODUCT CUSTOMER DRAWING	
CHKD: JDUNAJ	APP: JDUNAJ	SERIES	MATERIAL NUMBER
REV: 2019/07/11		34825	SEE CHART
		CUSTOMER	GENERAL MARKET
		DOCUMENT NUMBER	DOC TYPE
		SD-34825-001	PSD
		DOC PART	SHEET NUMBER
		001	1 OF 4

12 CKT VERTICAL HEADER

16 CKT VERTICAL HEADER

20 CKT VERTICAL HEADER

24 CKT VERTICAL HEADER

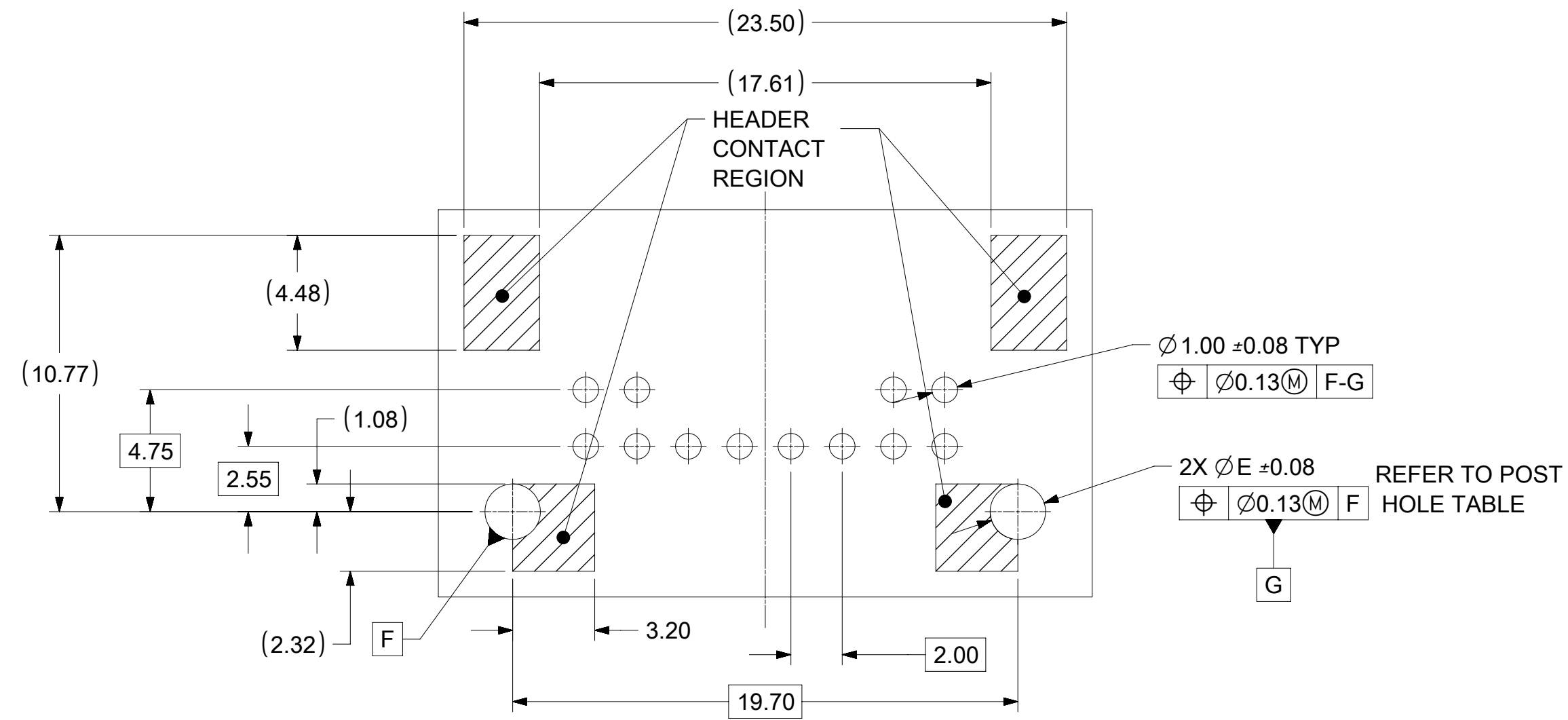


NOTE:
B2, C2, AND B4 ARE ON
OPPOSITE SIDE OF PART

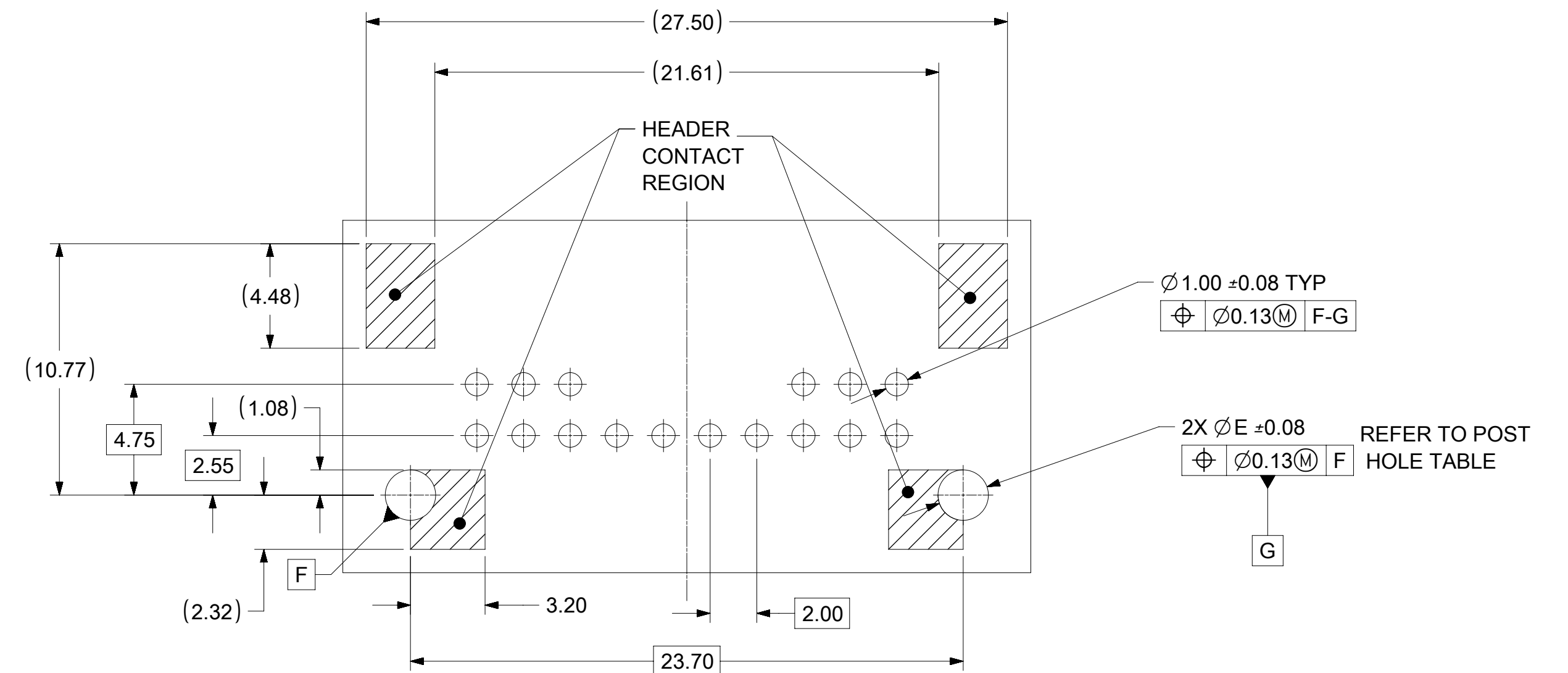
NOTE: SIDE VIEW IS SIMILAR FOR ALL CKTS ON THIS DRAWING

THIS DRAWING CONTAINS INFORMATION THAT IS PROPRIETARY TO MOLEX ELECTRONIC TECHNOLOGIES, LLC AND SHOULD NOT BE USED WITHOUT WRITTEN PERMISSION									
QUALITY SYMBOLS	GENERAL TOLERANCES (UNLESS SPECIFIED)			DIMENSION UNITS	SCALE				
▽ = 0 ▽ = 0 ▽ = 0 ▽ = 0 ▽ = 0 ▽ = 0 ▽ = 0 ▽ = 0	ANGULAR TOL ± 3.0 ° 4 PLACES ± 3 PLACES ± 2 PLACES ± 0.1 1 PLACE ± 0.2 0 PLACES ± DRAFT WHERE APPLICABLE MUST REMAIN WITHIN DIMENSIONS			MM ONLY	5:1				
EC NO: 620513 DRWN: SRUSS CHKD: JDUNAJ REV APPR: JDUNAJ	2019/06/17 2019/07/09 2019/07/11	TCUCU TMACHUGA SMARCEAU	DATE DATE DATE	2011/02/25 2011/02/28 2012/05/03	PRODUCT CUSTOMER DRAWING		SERIES	MATERIAL NUMBER	CUSTOMER
G3		D		THIRD ANGLE PROJECTION		34825	SEE CHART	GENERAL MARKET	
RELEASE STATUS P1		RELEASE DATE 2019/07/11 19:47:42		DOCUMENT NUMBER SD-34825-001		DOC TYPE PSD		DOC PART SHEET NUMBER 001 2 OF 4	

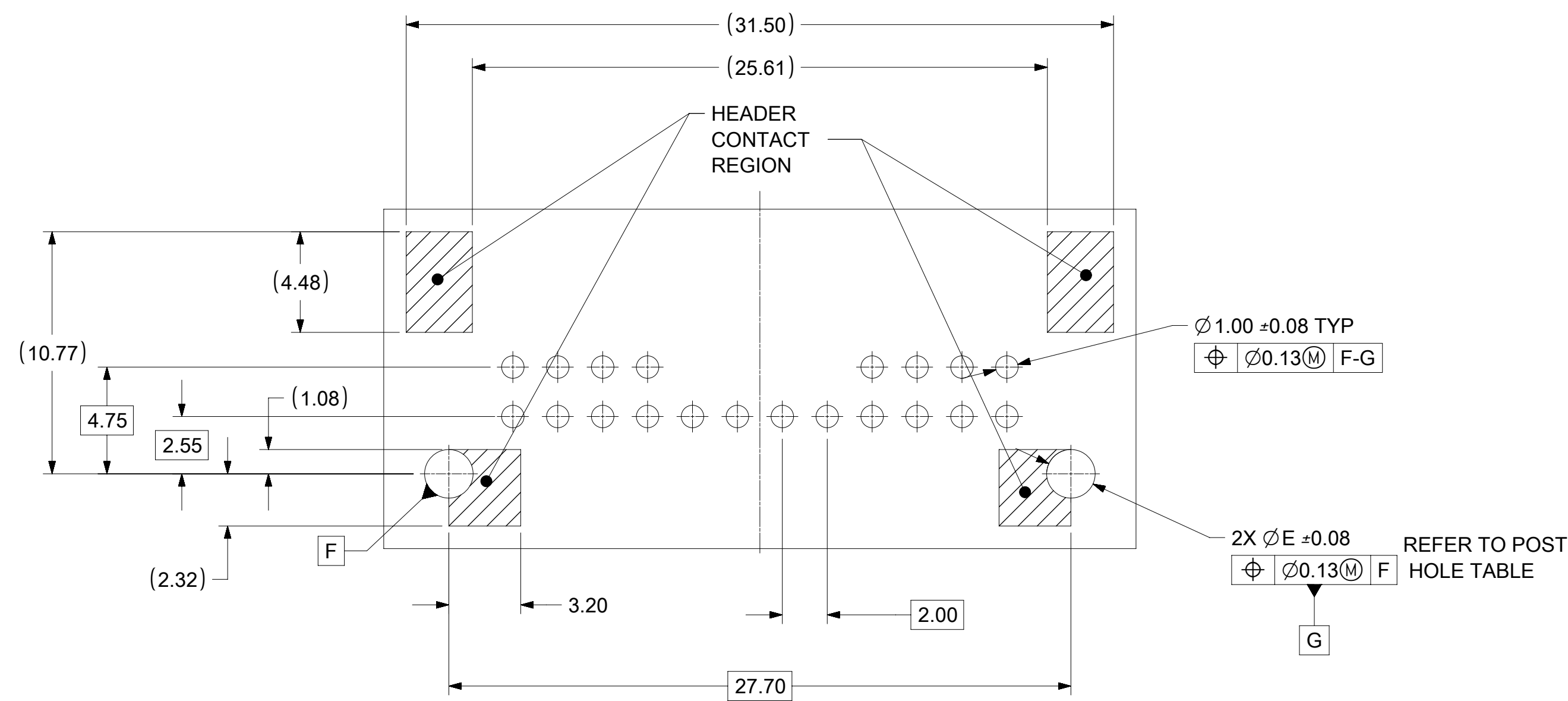
12 CKT VERTICAL HEADER
PCB CONFIGURATION



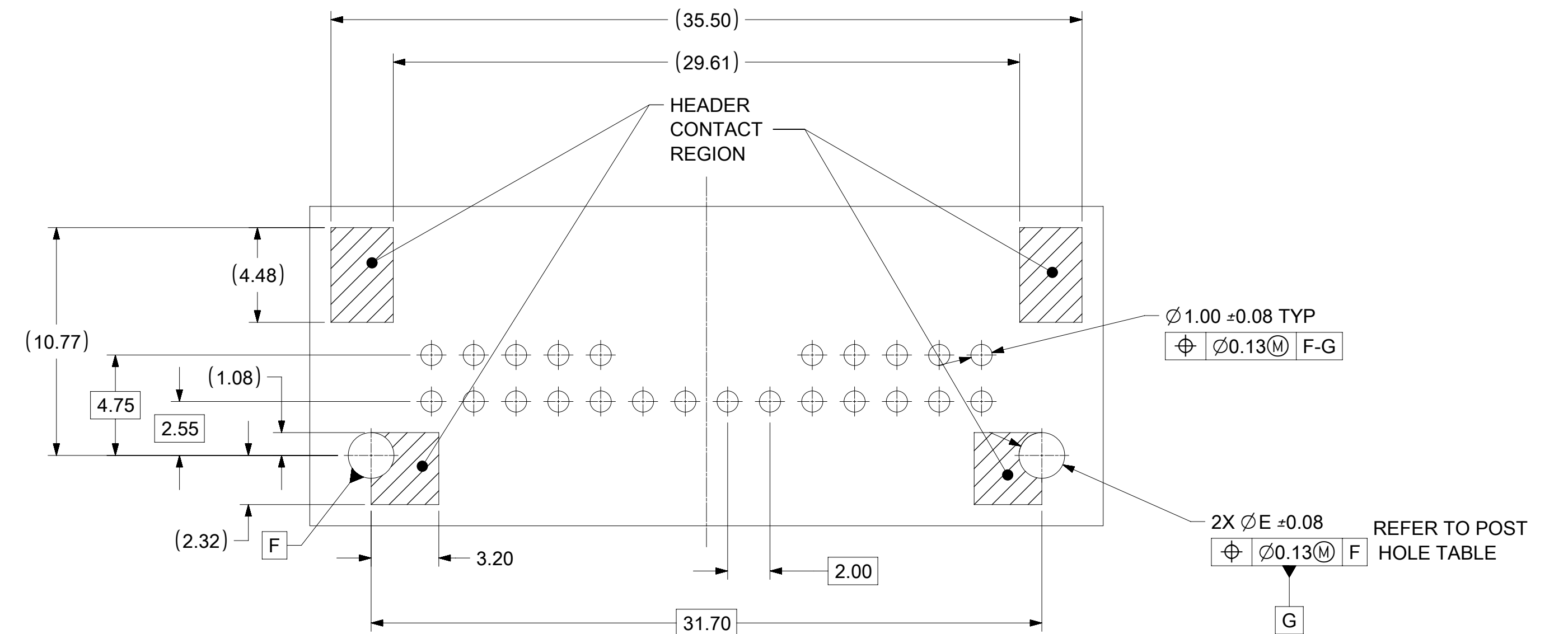
16 CKT VERTICAL HEADER
PCB CONFIGURATION



20 CKT VERTICAL HEADER
PCB CONFIGURATION



24 CKT VERTICAL HEADER
PCB CONFIGURATION



POST HOLE TABLE

	DIM 'E'
PRESS FIT	2.15
DROP IN	2.55

QUALITY SYMBOLS ▽ = 0 ▽ = 0 ▽ = 0 ▽ = 0 ▽ = 0 ▽ = 0 ▽ = 0 ▽ = 0	THIS DRAWING CONTAINS INFORMATION THAT IS PROPRIETARY TO MOLEX ELECTRONIC TECHNOLOGIES, LLC AND SHOULD NOT BE USED WITHOUT WRITTEN PERMISSION			
	EC NO: 620513 DRWN: SRUSS CHKD: JDUNAJ REV APPR: JDUNAJ	2019/06/17 2019/07/09 2019/07/11	GENERAL TOLERANCES (UNLESS SPECIFIED) ANGULAR TOL ± 3.0 ° 4 PLACES ± 3 PLACES ± 2 PLACES ± 0.1 1 PLACE ± 0.2 0 PLACES ± DRAFT WHERE APPLICABLE MUST REMAIN WITHIN DIMENSIONS	DIMENSION UNITS: MM ONLY SCALE: 5:1 DRWN BY: TCUCU DATE: 2011/02/25 CHKD BY: TMACHUGA DATE: 2011/02/28 APPR BY: SMARCEAU DATE: 2012/05/03 DRAWING SIZE: D THIRD ANGLE PROJECTION
RELEASE STATUS: P1 RELEASE DATE: 2019/07/11 19:47:42	PRODUCT CUSTOMER DRAWING MINI50 VERT DUAL ROW VERTICAL ASSEMBLY SALES DRAWING			DOCUMENT NUMBER: SD-34825-001 DOC TYPE: PSD DOC PART: 001 SHEET NUMBER: 3 OF 4

MINI 50 VERTICAL HEADER ASSEMBLIES

MATERIAL NUMBER TAPE AND REEL PACKAGING PK-47799-0001	MATERIAL NUMBER TUBE PACKAGING PK-31301-688	MATERIAL NUMBER TRAY PACKAGING PK-31301-440	CONFIGURATION	CIRCUIT	VOIDED CIRCUITS	POL	COLOR	BLADE PLATING	MATING COMPONENT	
									UN-BRIDGED	BRIDGED
34825-8124	34825-9124	34825-0124	USCAR	12	N/A	A	BLACK	TIN	34824-0124	34824-1124
34825-8125	34825-9125	34825-0125	USCAR	12	N/A	B	GRAY	TIN	34824-0125	34824-1125
34825-8126	34825-9126	34825-0126	USCAR	12	N/A	C	DARK GRAY	TIN	34824-0126	34824-1126
34825-8160	34825-9160	34825-0160	USCAR	16	N/A	A	BLACK	TIN	34824-0160	34824-1160
34825-8161	34825-9161	34825-0161	USCAR	16	N/A	B	GRAY	TIN	34824-0161	34824-1161
34825-8162	34825-9162	34825-0162	USCAR	16	N/A	C	DARK GRAY	TIN	34824-0162	34824-1162
34825-8200	34825-9200	34825-0200	USCAR	20	N/A	A	BLACK	TIN	34824-0200	34824-1200
34825-8201	34825-9201	34825-0201	USCAR	20	N/A	B	GRAY	TIN	34824-0201	34824-1201
34825-8202	34825-9202	34825-0202	USCAR	20	N/A	C	DARK GRAY	TIN	34824-0202	34824-1202
34825-8240	34825-9240	34825-0240	USCAR	24	N/A	A	BLACK	TIN	34824-0240	34824-1240
N/A	N/A	34825-0244			2,3,4,7,8,9 12,13,14,16,19,21,22,23					
N/A	N/A	34825-0245	USCAR	24	2,3,4,7,8,9 12,13,14,16,19,21,22,23	B	GRAY	TIN	34824-0241	34824-1241
34825-8241	34825-9241	34825-0241	USCAR	24	N/A	B	GRAY	TIN	34824-0241	34824-1241
34825-8242	34825-9242	34825-0242	USCAR	24	N/A	C	DARK GRAY	TIN	34824-0242	34824-1242

QUALITY SYMBOLS 	THIS DRAWING CONTAINS INFORMATION THAT IS PROPRIETARY TO MOLEX ELECTRONIC TECHNOLOGIES, LLC AND SHOULD NOT BE USED WITHOUT WRITTEN PERMISSION										
	2019/06/17 2019/07/09 2019/07/11	GENERAL TOLERANCES (UNLESS SPECIFIED)			DIMENSION UNITS	SCALE					
		ANGULAR TOL ± 3.0 °			MM ONLY	1:1					
		4 PLACES ±			DRWN BY	DATE					
	EC NO: 620513 DRWN: SRUSS CHKD: JDUNAJ REV APPR: JDUNAJ	2 PLACES ± 0.1			TCUCU	2011/02/25	MINI50 VERT DUAL ROW VERTICAL ASSEMBLY SALES DRAWING PRODUCT CUSTOMER DRAWING				
		1 PLACE ± 0.2			CHKD BY	DATE					
		0 PLACES ±			TMACHUGA	2011/02/28					
	DRAFT WHERE APPLICABLE MUST REMAIN WITHIN DIMENSIONS			APPR BY	DATE	SERIES: 34825 MATERIAL NUMBER: SEE CHART CUSTOMER: GENERAL MARKET DOCUMENT NUMBER: SD-34825-001 DOC TYPE: PSD DOC PART: 001 SHEET NUMBER: 4 OF 4					
	DRAFT WHERE APPLICABLE MUST REMAIN WITHIN DIMENSIONS			SMARCEAU	2012/05/03						
	DRAFT WHERE APPLICABLE MUST REMAIN WITHIN DIMENSIONS			DRAWING SIZE	THIRD ANGLE PROJECTION						
DRAFT WHERE APPLICABLE MUST REMAIN WITHIN DIMENSIONS			D								