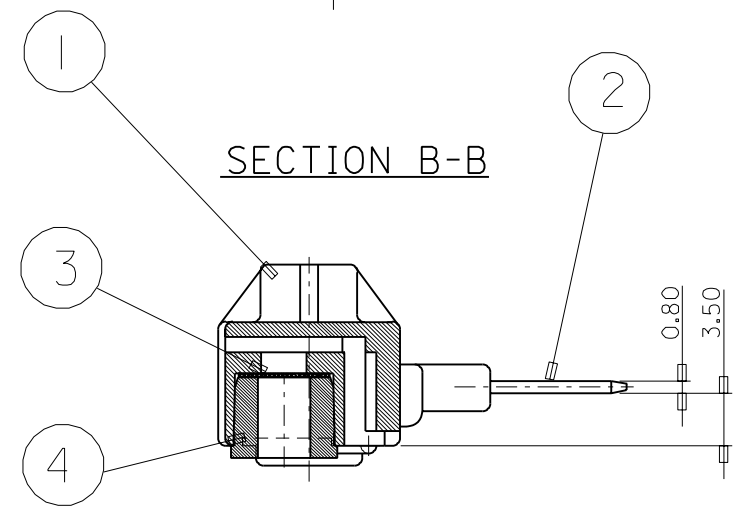
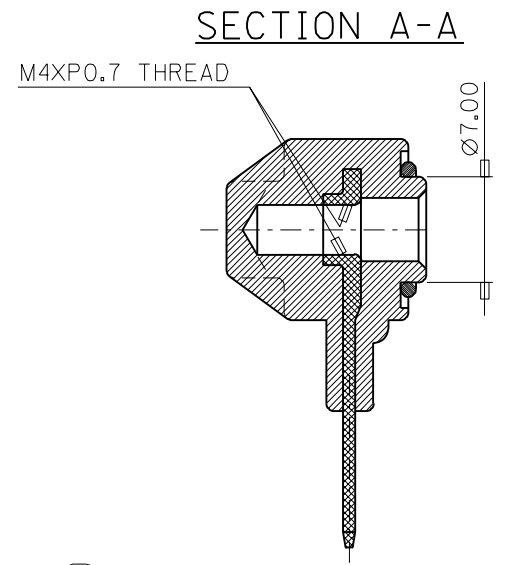
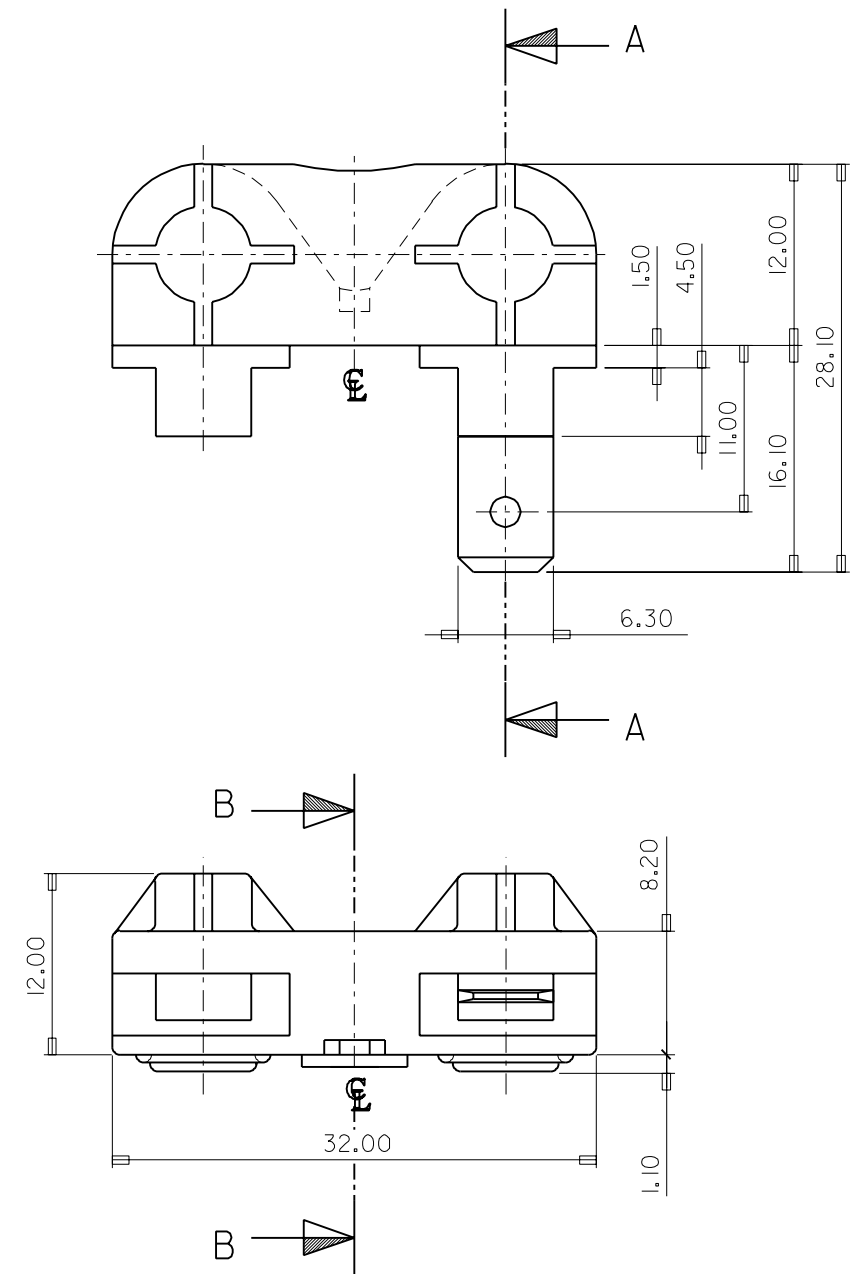
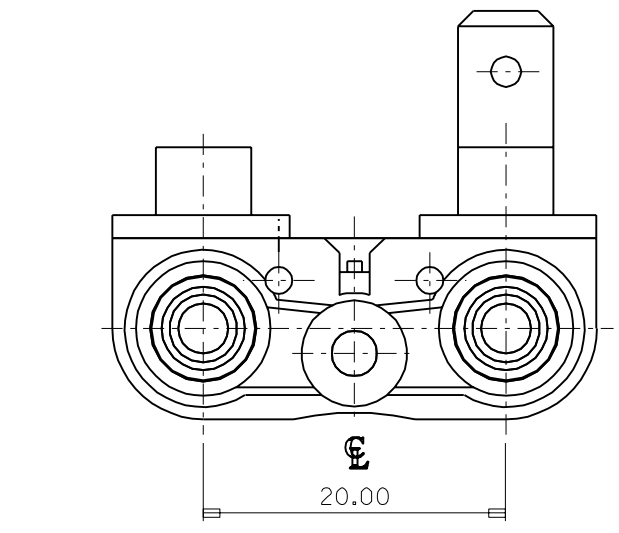


DWG. NO. SD-35967-002
 PROJECT NO.
 SIMILAR ITEM
 DO NOT SCALE DRAWING DIMENSION IN METRIC



NOTE
 1. PRODUCT SPECIFICATION: 68131-0291
 2. MATERIAL & FINISH: SEE TABLE



NO.	P/NAME	P/NO.	Q'TY	MATERIAL	FINISH
1	HEADER 2P	—	1	30% GLASS FILLED POLYESTER	BLACK
2	PIN	MH151-100-01B4	1	BRASS	NONE PLATING
3	GASKET	35940-0023	1	PAPER(FIBER ALLOY)	WHITE
4	BOTTOM SEAL	35903-0107	1	OIL SILICONE	BLACK

NO.	359670111	35967-0111
MATERIAL NO.		ENG. NO.

RELEASE TO MANUFACTURING
 EC NO. KOR 2003-0147
 DRWN: H.C.RHO 021210
 CH'K: H.C.RHO 021210
 APPR: C.W.LEE

QUALITY SYMBOLS
 MAJOR =
 CRITICAL =

GENERAL TOLERANCES: (UNLESS SPECIFIED)

	mm	INCH
4 PLACES	±0.	±.
3 PLACES	±0.	±.
2 PLACES	±0.20	±.
1 PLACE	±0.30	±.

ANGULAR: ± 1 °

DRAFT WHERE APPLICABLE MUST REMAIN WITHIN DIMENSIONS

SCALE 2:1
 DESIGN UNITS mm INCH
 DRAWN BY & DATE '99.10.15 H.C.RHO
 CHECKED BY & DATE '99.10.15 B.K.CHOI
 APPROVED BY & DATE '99.10.15 C.W.LEE
 CAD FILENAME 250FH002

DIMENSIONS: <input type="checkbox"/> mm <input type="checkbox"/> INCH <input checked="" type="checkbox"/> mm ONLY		SHT	REV
THIRD ANGLE PROJECTION		REVISE ON CAD ONLY	
TITLE: .250 FILTER HORN HEADER ASS'Y IP(Ø00)			
MOLEX INCORPORATED KOREA			
MATERIAL NO. SEE TABLE	DRAWING NO. SD-35967-002	SHEET NO. 1 OF 1	
THIS DRAWING CONTAINS INFORMATION THAT IS PROPRIETARY TO MOLEX INCORPORATED AND SHOULD NOT BE USED WITHOUT WRITTEN PERMISSION.			SIZE B