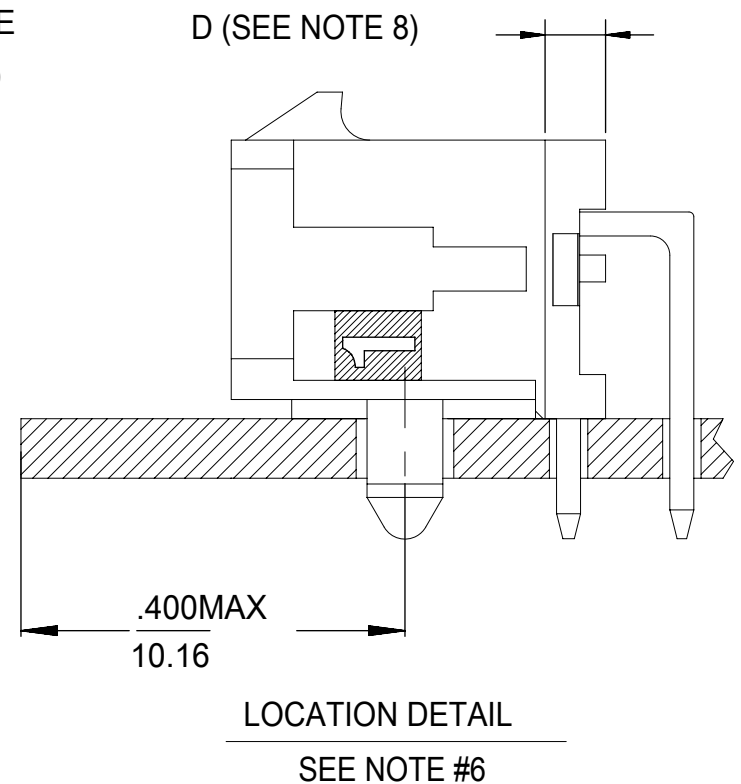
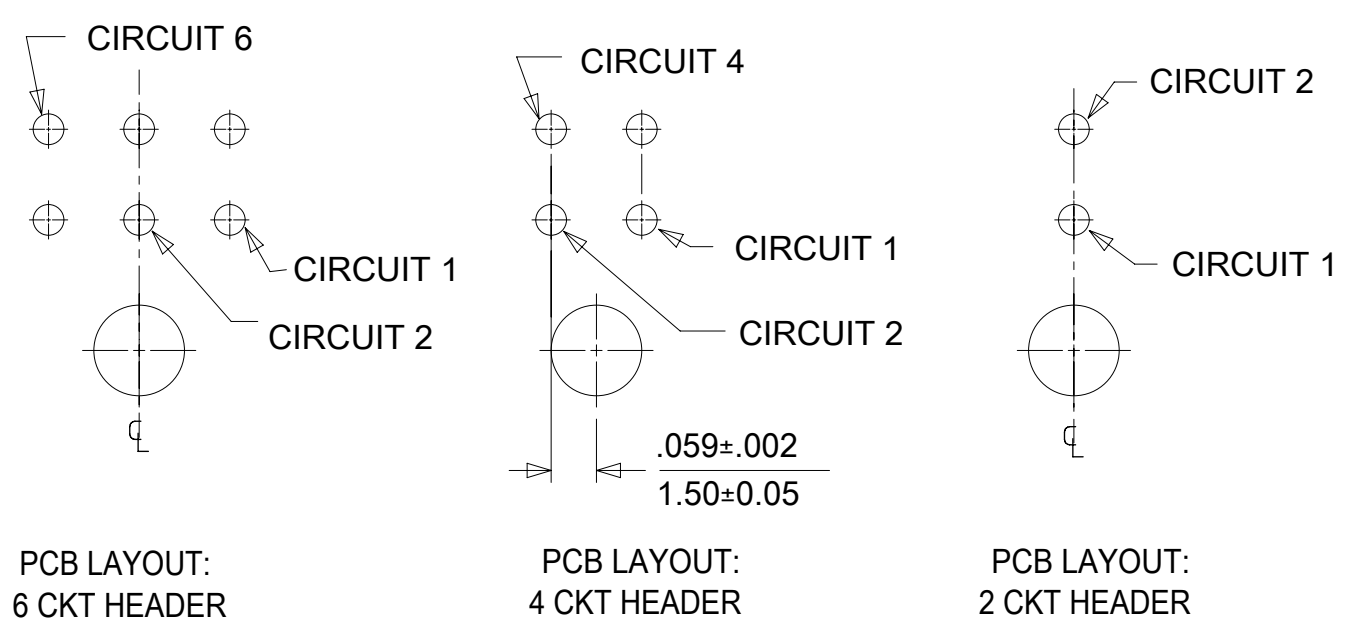


PCB LAYOUT: COMPONENT SIDE  
RECOMMEND PCB THICKNESS: .062/1.57



NOTES:

- HOUSING MATERIAL: GLASS FILLED LIQUID CRYSTAL POLYMER, UL94V-0, COLOR: BLACK  
TERMINAL MATERIAL: BRASS ALLOY
- FINISH: A = .000060/(0.00152) MIN. REFLOWED MATTE TIN OVER .000050/(0.00127) MIN. NICKEL PLATE. (FINISH IS BRIGHT IN APPEARANCE, THICKNESS AS APPLIED PRIOR TO REFLOW).  
B = .000015/(0.00038) MIN. SELECT GOLD IN CONTACT AREA, .000100/(0.00254) MIN. SELECT MATTE TIN ON SOLDER TAILS, BOTH OVER .000050/(0.00127) MIN. NICKEL PLATE.  
C = .000030/(0.00076) MIN. SELECT GOLD IN CONTACT AREA; .000100/(0.00254) MIN. SELECT MATTE TIN ON SOLDER TAILS; BOTH OVER .000050/(0.00127) MIN. NICKEL PLATE.  
D = .000100/(0.00254) MIN. MATTE TIN OVER .000050/(0.00127) MIN. NICKEL PLATE.
- PRODUCT SPECIFICATION: PS-43045
- PACKAGING SPECIFICATION: TAPE AND REEL PACKED PER 430450007-PK
- MATES WITH MICRO FIT (3.0) RECEPTACLE SERIES 43025
- TO AVOID INTERFERENCE BETWEEN RECEPTACLE AND PCB, HEADER MUST BE PLACED WITHIN .400/(10.16) MAX. FROM EDGE OF PCB, AS SHOWN IN LOCATION DETAIL.
- THIS PART CONFORMS TO CLASS B REQUIREMENTS OF COSMETIC SPECIFICATION PS-45499-002.
- CIRCUIT SIZES 2-6: "D" IS .265/6.74 FOR .010/0.25 STEP  
CIRCUIT SIZES 8-24: "D" IS .063/1.60 FOR .010/0.25 STEP.
- TEXT ON PART IS FOR REFERENCE ONLY. TEXT AND TEXT LOCATION MAY VARY DEPENDING ON PART NUMBER AND/OR TOOL.

CKTS	FINISH A	FINISH B	FINISH C	FINISH D
	MATERIAL NO:	MATERIAL NO:	MATERIAL NO:	MATERIAL NO:
02	43045-0299	43045-0297	43045-0289	43045-0293
04	43045-0499	43045-0497	43045-0489	43045-0493
06	43045-0699	43045-0697	43045-0689	43045-0693
08	43045-0899	43045-0897	43045-0889	43045-0893
10	43045-1099	43045-1097	43045-1089	43045-1093
12	43045-1299	43045-1297	43045-1289	43045-1293
14				
16	43045-1699	43045-1697	43045-1689	43045-1693
18	43045-1899	43045-1897	43045-1889	43045-1893
20				
22				
24				

**molex**

MICRO-FIT(3.0) RIGHT ANGLE THRUHOLE TAPE  
DUAL ROW HEADER / PEG / TAPE & REEL

PRODUCT CUSTOMER DRAWING

DOCUMENT NUMBER	DOC TYPE	DOC PART	REVISION
<b>SD-43045-032</b>	PSD	001	<b>B8</b>

SYMBOLS	THIS DRAWING CONTAINS INFORMATION THAT IS PROPRIETARY TO MOLEX ELECTRONIC TECHNOLOGIES, LLC AND SHOULD NOT BE USED WITHOUT WRITTEN PERMISSION
IN/MM	SCALE: NTS
GENERAL TOLERANCES (UNLESS SPECIFIED)	CURRENT REV DESC: ADD 2 CIRCUIT PART NUMBERS
4 PLACES ±	EC NO: 630641
3 PLACES ±	DRWN: EHAUGERUD 2020/01/16
2 PLACES ±	CHK'D: SSOUSEK 2022/02/04
1 PLACE ±	APPR: FSMITH 2022/02/05
0 PLACES ±	INITIAL REVISION:
ANGULAR TOL ± 0.5°	DRWN: SSOUSEK 2010/05/19
DRAFT WHERE APPLICABLE MUST REMAIN WITHIN DIMENSIONS	APPR: FSMITH 2016/02/26
THIRD ANGLE PROJECTION	DRAWING SERIES
C-SIZE	<b>43045</b>

DOCUMENT STATUS	P1	RELEASE DATE	2022/02/05 00:43:36
-----------------	----	--------------	---------------------