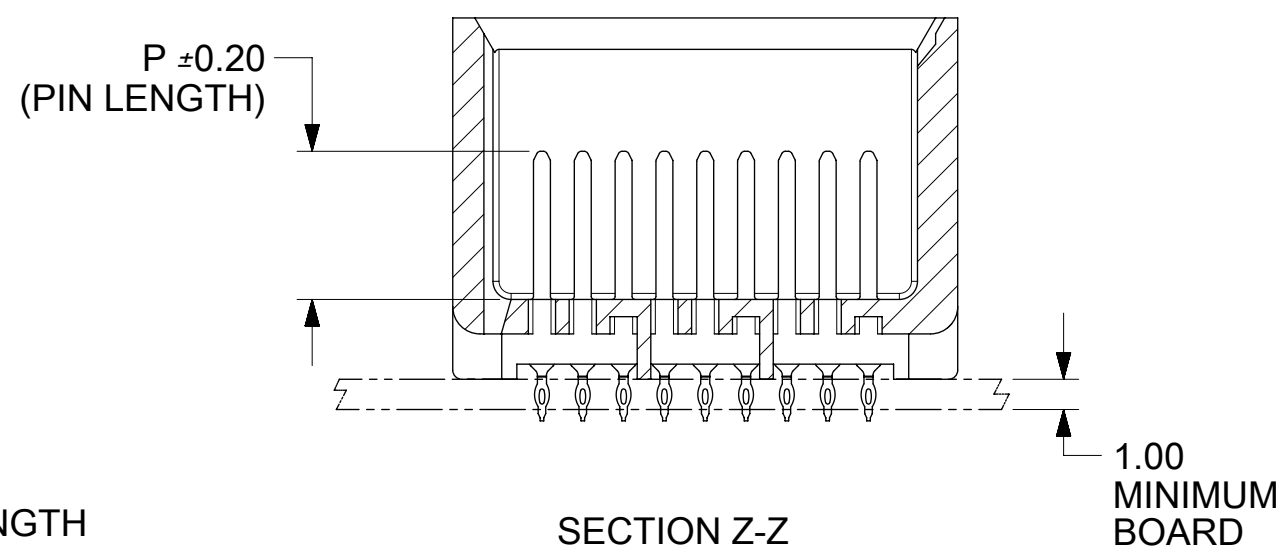
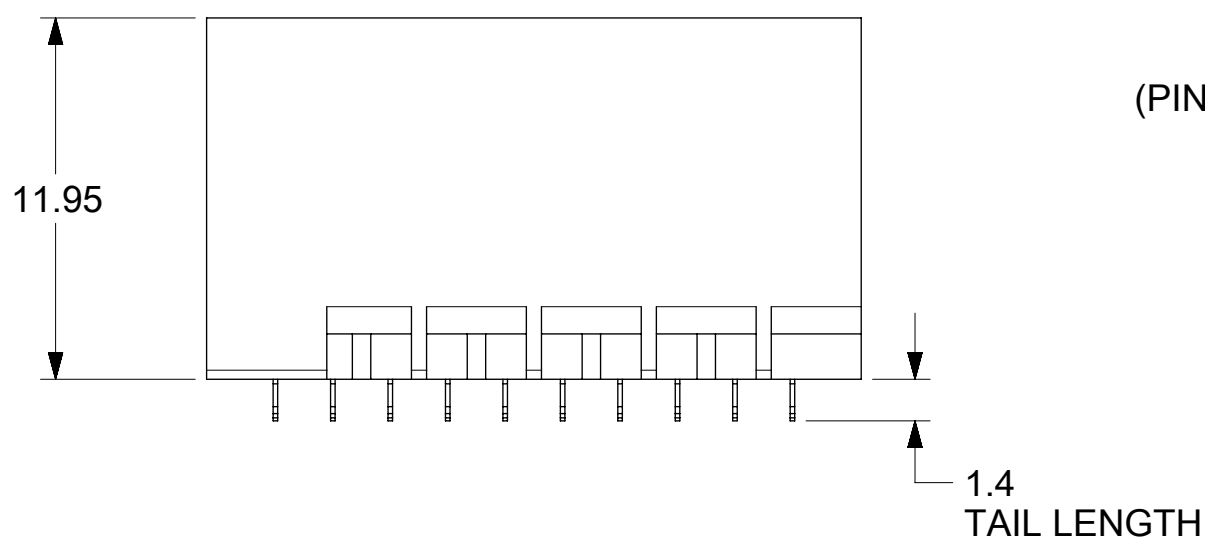
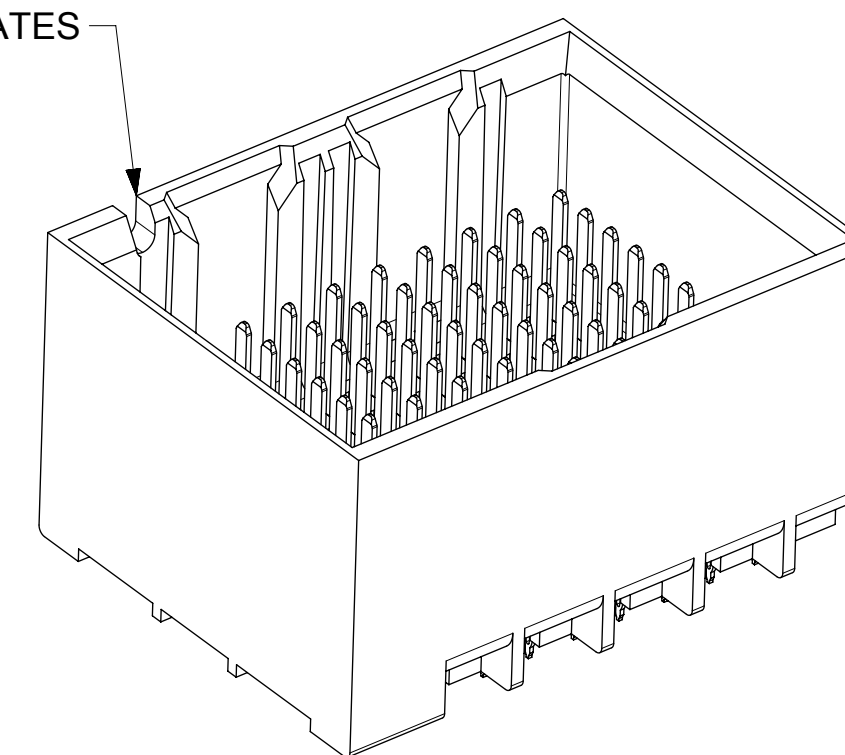


SEE PART NUMBER CHART AND PART NUMBER LOGIC (9 HOLES PER COLUMN)

UNGUIDED BACKPLANE HOLE PATTERN (CONNECTOR SIDE) SEE NOTE 9



NOTCH DESIGNATES ROW A



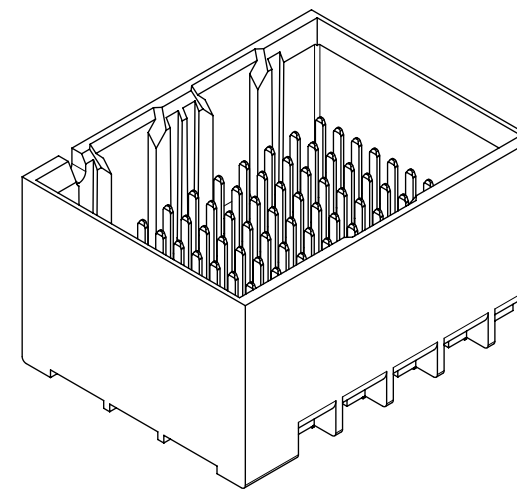
NOTES:

1. MATERIALS: HOUSING - LIQUID CRYSTAL POLYMER (LCP) GLASS-FILLED, UL94V-0
TERMINALS - HIGH PERFORMANCE COPPER ALLOY
2. FINISH: 30µ MIN GOLD IN CONTACT AREA.
SELECTIVE TIN ON PCB TAILS.
NICKEL OVERALL.
3. REFER TO MOLEX PRODUCT SPECIFICATION PS-76060-999 FOR PERFORMANCE SPECIFICATIONS AND ADDITIONAL PCB INFORMATION.
4. THIS PART CONFORMS TO CLASS B REQUIREMENTS OF MOLEX COSMETIC SPEC PS-45499-002.
5. PARTS PACKAGED PER PK-70873-7700.
6. SEE SHEETS 2 & 3 FOR PART NUMBERS AND BOARD RELATIONSHIPS.
7. MATES WITH IMPACT DC SERIES NO. 76170.
8. REFER TO MOLEX PCB ROUTING GUIDE AS-76060-990 FOR ANTIPAD AND ROUTING RECOMMENDATIONS.
9. "THESE DIMENSIONS REPRESENT THE AREA NEEDED TO ACCOMMODATE CONNECTOR INSERTION AND REPAIR ON THE PC BOARD. THIS IS REFERRED TO AS THE "CONNECTOR KEEP OUT ZONE" AND DOES NOT REPRESENT THE ACTUAL PERIMETER OF THE CONNECTOR. WHEN LAYING OUT A PC BOARD FOR CONNECTORS STACKED TOGETHER. USE A 1.9mm PROGRESSION."

QUALITY SYMBOLS	THIS DRAWING CONTAINS INFORMATION THAT IS PROPRIETARY TO MOLEX ELECTRONIC TECHNOLOGIES, LLC AND SHOULD NOT BE USED WITHOUT WRITTEN PERMISSION		DIMENSION UNITS	SCALE			
			mm	4:1			
▽ = 0	MIGRATED TO NX EC NO: 123283 DRWN: KUCHILA CHKD: KUCHILA APPR: PRAMASWAMY REV: J1	GENERAL TOLERANCES (UNLESS SPECIFIED)	DRWN BY	DATE	IMPACT BP 3 PAIR UNGUIDED ASSEMBLY SALES DRAWING		
▽ = 0		ANGULAR TOL ± 0.5 °	TIBARRA	2012/11/26			
▽ = 0		4 PLACES ±	CHKD BY	DATE			
▼ = 0		3 PLACES ±	JBINGHAM	2012/12/18	PRODUCT CUSTOMER DRAWING		
▽ = 0		2 PLACES ± 0.13	APPR BY	DATE			
▽ = 0		1 PLACE ± 0.25	SMILLER	2012/12/31	SERIES	MATERIAL NUMBER	CUSTOMER
⊠ = 0	0 PLACES ±	DRAFT WHERE APPLICABLE MUST REMAIN WITHIN DIMENSIONS		76165	SEE CHART	GENERAL MARKET	
■ = 0		DRAWING SIZE	THIRD ANGLE PROJECTION	DOCUMENT NUMBER	DOC TYPE	DOC PART	SHEET NUMBER
▽ = 0		C		SD-76165-001	PSD	001	1 OF 3

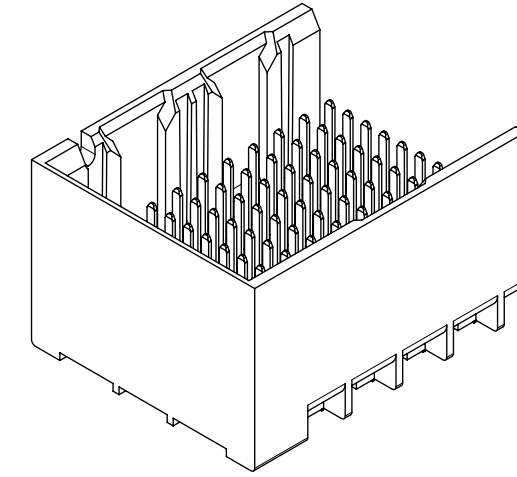
PART NUMBER CHART

MATERIAL NUMBER	# OF COLUMNS	# OF DIFF PAIR	DIM "A"	DIM "B"	DUAL END WALL OPTION
76165-*32*	6	18	14.1	9.50	
76165-*82*	8	24	17.9	13.30	
76165-*12*	10	30	21.7	17.10	
76165-*62*	16	48	33.1	28.50	



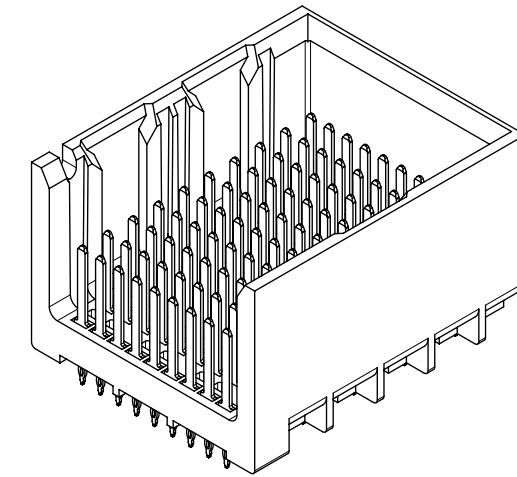
DUAL END
WALL OPTION

MATERIAL NUMBER	# OF COLUMNS	# OF DIFF PAIR	DIM "A"	DIM "B"	LEFT END WALL OPTION
76165-*31*	6	18	12.7	9.50	
76165-*81*	8	24	16.5	13.30	
76165-*11*	10	30	20.3	17.10	
76165-*61*	16	48	31.7	28.50	



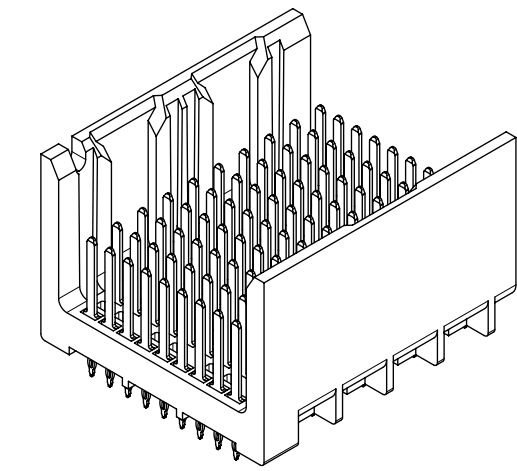
LEFT END
WALL OPTION

MATERIAL NUMBER	# OF COLUMNS	# OF DIFF PAIR	DIM "A"	DIM "B"	RIGHT END WALL OPTION
76165-*33*	6	18	12.7	9.50	
76165-*83*	8	24	16.5	13.30	
76165-*13*	10	30	20.3	17.10	
76165-*63*	16	48	31.7	28.50	



RIGHT END
WALL OPTION

MATERIAL NUMBER	# OF COLUMNS	# OF DIFF PAIR	DIM "A"	DIM "B"	OPEN WALL OPTION
76165-*30*	6	18	11.3	9.50	
76165-*80*	8	24	15.1	13.30	
76165-*10*	10	30	18.9	17.10	
76165-*60*	16	48	30.4	28.50	



OPEN
WALL OPTION

PART NUMBER LOGIC

76165- * * * *

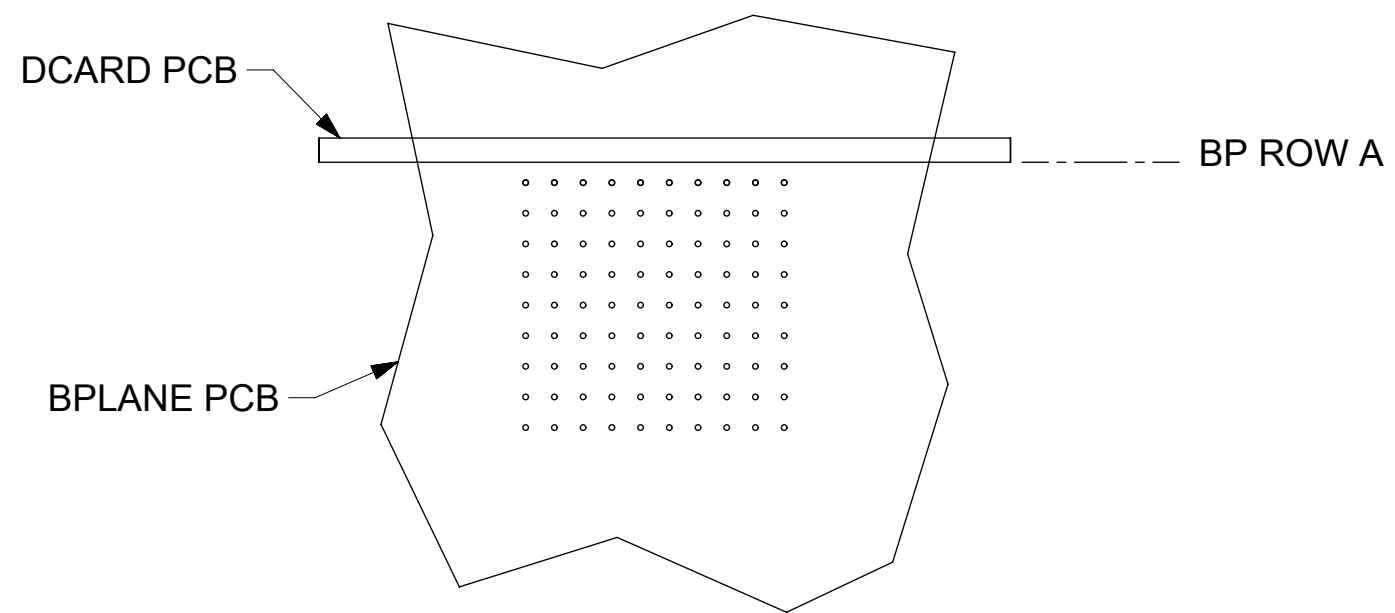
MODULE TYPE
1 = UNGUIDED, TIN

OF COLUMNS
1 = 10 COL
3 = 6 COL
6 = 16 COL
8 = 8 COL

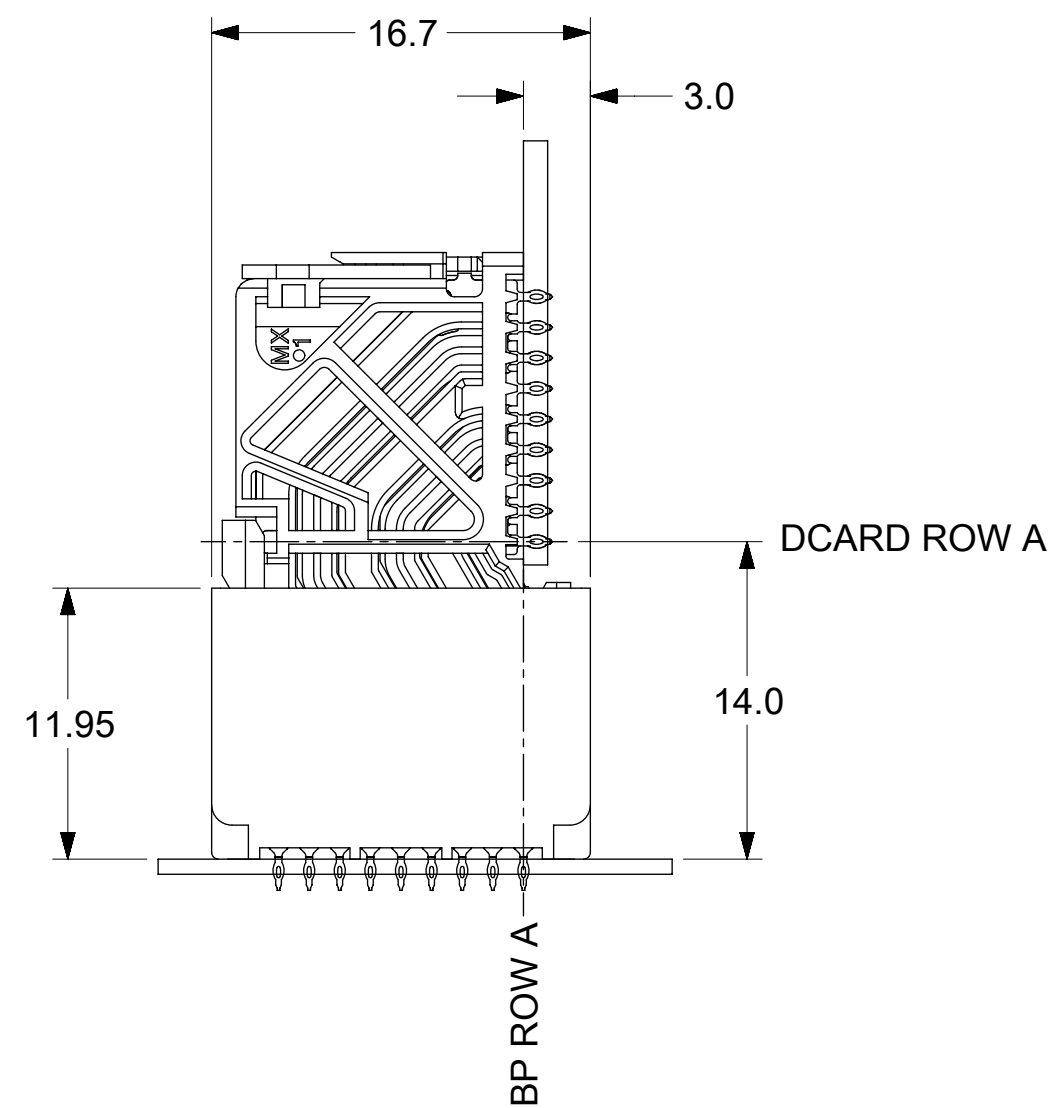
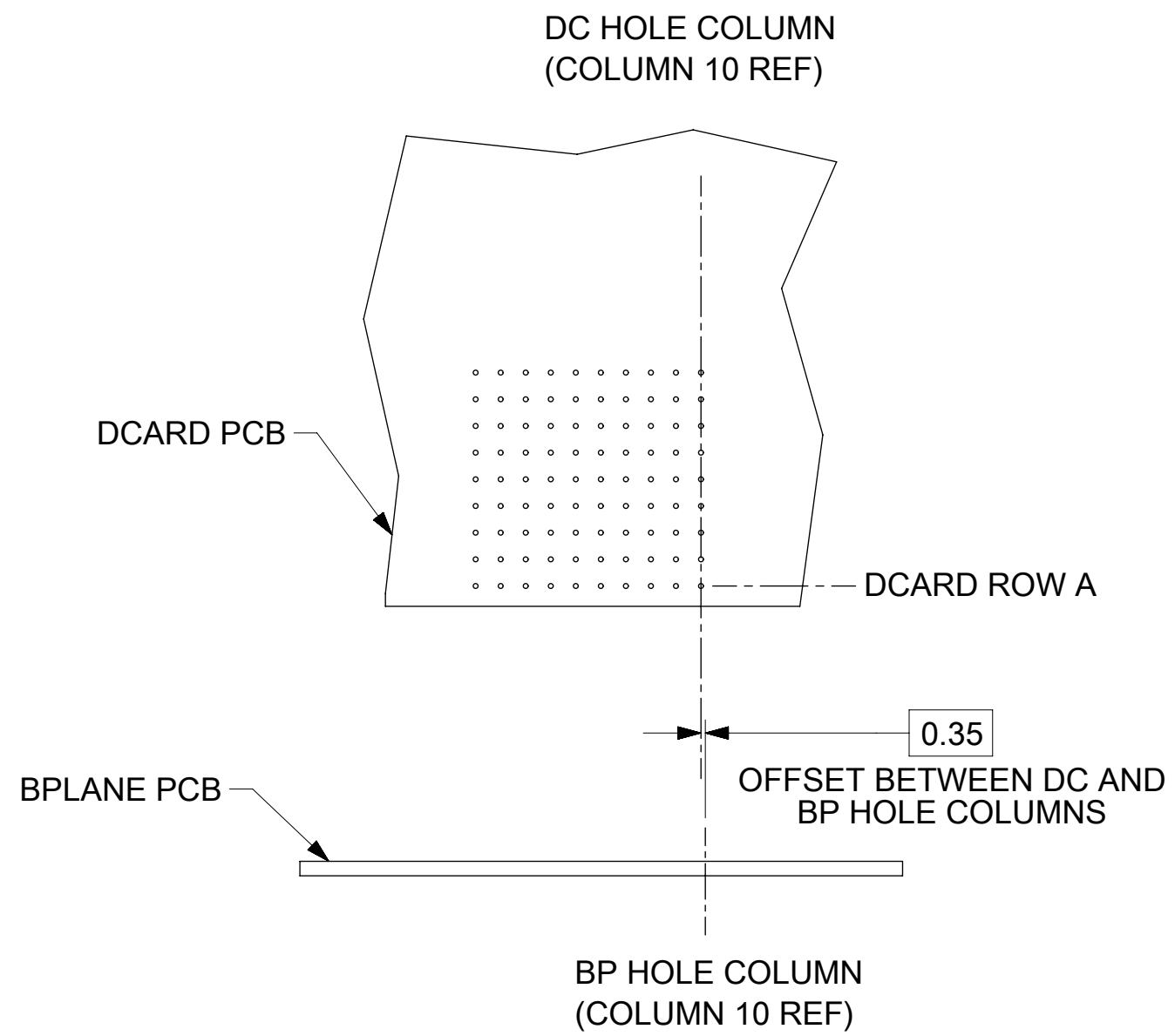
PIN LENGTH (P)
3 = 4.50 (SHORT COMPLIANT, 0.46±0.05 PTH)
4 = 4.90 (SHORT COMPLIANT, 0.46±0.05 PTH)
5 = 5.50 (SHORT COMPLIANT, 0.46±0.05 PTH)
6 = 4.50 (MICRO COMPLIANT, 0.39±0.05 PTH)
7 = 4.90 (MICRO COMPLIANT, 0.39±0.05 PTH)
8 = 5.50 (MICRO COMPLIANT, 0.39±0.05 PTH)

END WALL OPTIONS
0 = OPEN ENDS
1 = LEFT END WALL
2 = DUAL END WALL
3 = RIGHT END WALL

QUALITY SYMBOLS ▽ = 0 ▽ = 0 ▽ = 0 ▼ = 0 ▽ = 0 ⊠ = 0 ■ = 0 ▽ = 0	THIS DRAWING CONTAINS INFORMATION THAT IS PROPRIETARY TO MOLEX ELECTRONIC TECHNOLOGIES, LLC AND SHOULD NOT BE USED WITHOUT WRITTEN PERMISSION									
	EC NO: 123283 DRWN: KUCHILA CHKD: KUCHILA REV / APPR: PRAMASWAMY	2017/10/13 2017/10/13 2017/10/18	GENERAL TOLERANCES (UNLESS SPECIFIED)		DIMENSION UNITS	SCALE				
			ANGULAR TOL ± 0.5 °		mm	2.5:1				
			MIGRATED TO NX		4 PLACES ±		DRWN BY	DATE	IMPACT BP 3 PAIR UNGUIDED ASSEMBLY SALES DRAWING	
		3 PLACES ±		TIBARRA	2012/11/26					
		2 PLACES ± 0.13		CHKD BY	DATE	PRODUCT CUSTOMER DRAWING				
		1 PLACE ± 0.25		JBINGHAM	2012/12/18					
		0 PLACES ±		APPR BY	DATE	SERIES MATERIAL NUMBER CUSTOMER 76165 SEE CHART GENERAL MARKET				
		DRAFT WHERE APPLICABLE MUST REMAIN WITHIN DIMENSIONS		SMILLER	2012/12/31					
		DRAWING SIZE		THIRD ANGLE PROJECTION		DOCUMENT NUMBER DOC TYPE DOC PART SHEET NUMBER SD-76165-001 PSD 001 2 OF 3				
		C								



**IMPACT 3 PAIR
BOARD RELATIONSHIPS**



QUALITY SYMBOLS ▽ = 0 ▽ = 0 ▽ = 0 ▼ = 0 ▽ = 0 ⊠ = 0 ■ = 0 ▽ = 0	THIS DRAWING CONTAINS INFORMATION THAT IS PROPRIETARY TO MOLEX ELECTRONIC TECHNOLOGIES, LLC AND SHOULD NOT BE USED WITHOUT WRITTEN PERMISSION										
	MIGRATED TO NX EC NO: 123283 DRWN: KUCHILA CHKD: KUCHILA REV APPR: PRAMASWAMY	GENERAL TOLERANCES (UNLESS SPECIFIED) ANGULAR TOL ± 0.5 °			DIMENSION UNITS: mm SCALE: 1:1						
		4 PLACES ±		DRWN BY: TIBARRA DATE: 2012/11/26							
		3 PLACES ±		CHKD BY: JBINGHAM DATE: 2012/12/18							
		2 PLACES ± 0.13		APPR BY: SMILLER DATE: 2012/12/31							
		1 PLACE ± 0.25		DRAWING SIZE: C THIRD ANGLE PROJECTION							
	0 PLACES ±		DRAFT WHERE APPLICABLE MUST REMAIN WITHIN DIMENSIONS			PRODUCT CUSTOMER DRAWING SERIES: 76165 MATERIAL NUMBER: SEE CHART CUSTOMER: GENERAL MARKET					
	J1		DOCUMENT NUMBER: SD-76165-001 DOC TYPE: PSD DOC PART: 001 SHEET NUMBER: 3 OF 3								