

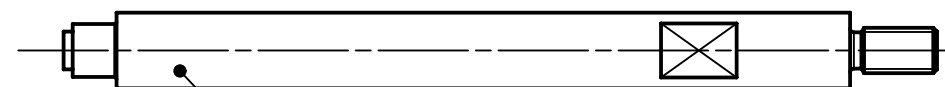
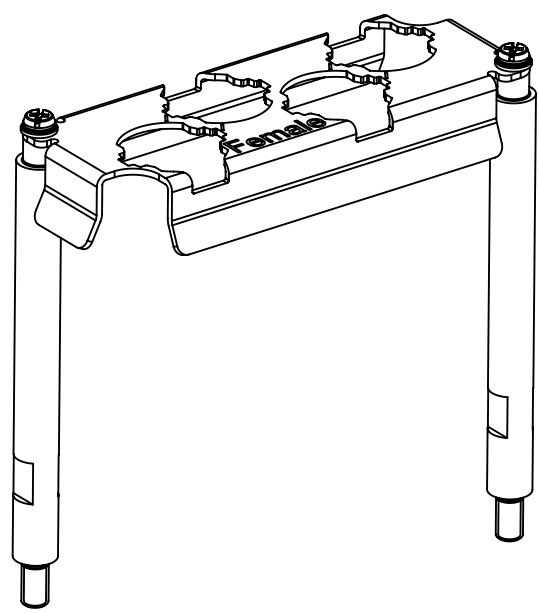
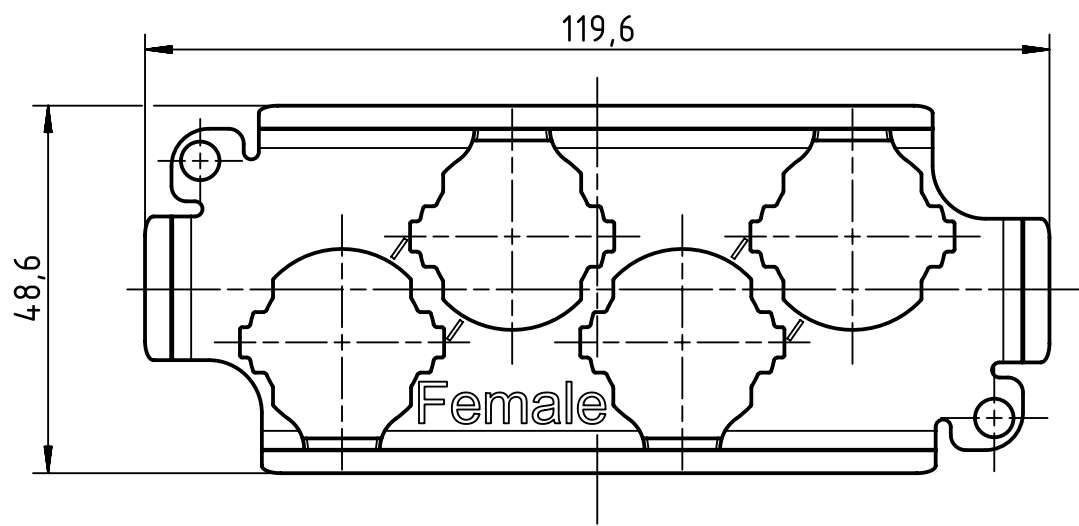
1 2 3 4 5 6

A

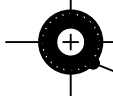
B

C

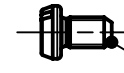
D




2x distance peg M6



2x Washer SK S4



2x Screw M4

	All Dimensions in mm Original Size DIN A4	Scale	Free size tol.		Ref.	
		1:1			Sub.	
All rights reserved Department EL PD - CN	HARTING Electric GmbH & Co. KG D-32339 Espelkamp	Created by	Inspected by	Standardisation	Date	State
		LONGL	WENE	RUETERA	2017-10-19	Final Release
Title: Frame Han 16HPR EasyCon Female 4xHC250					Doc-Key / ECM-Nr. 100686427/UGD/011/B 500000126292	
		Type	Number		Rev.	Page
		TB	09 40 016 9904		B	1/1