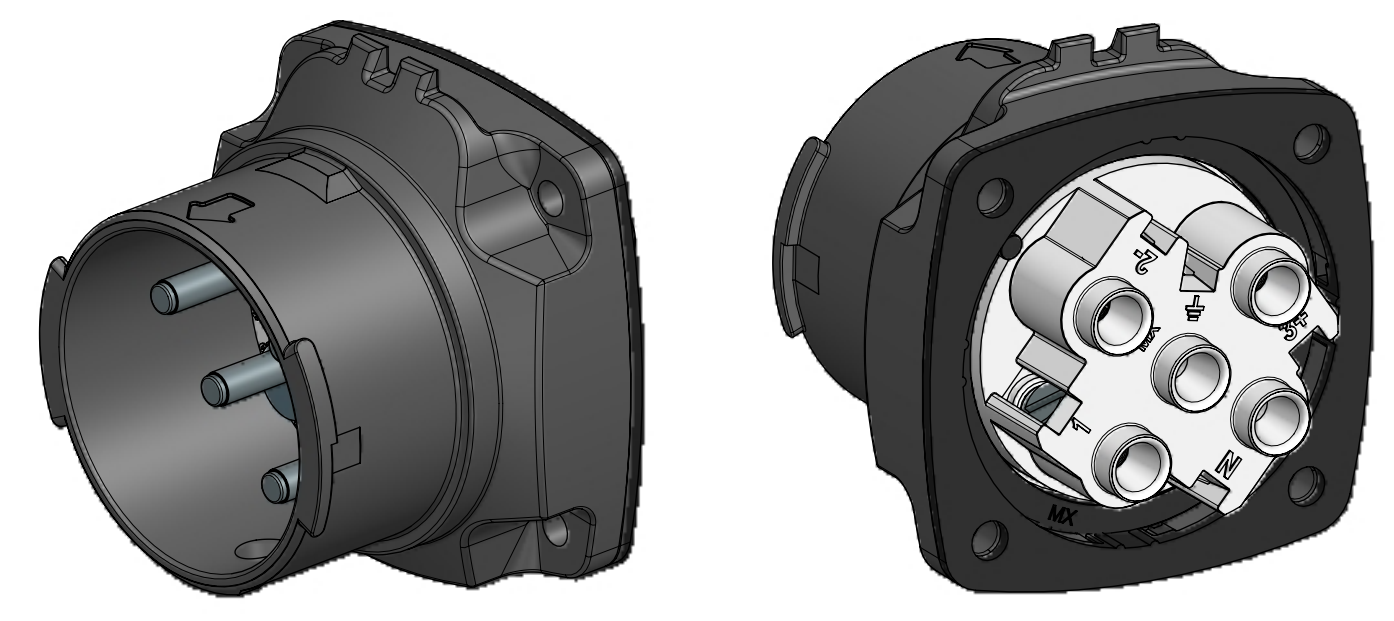
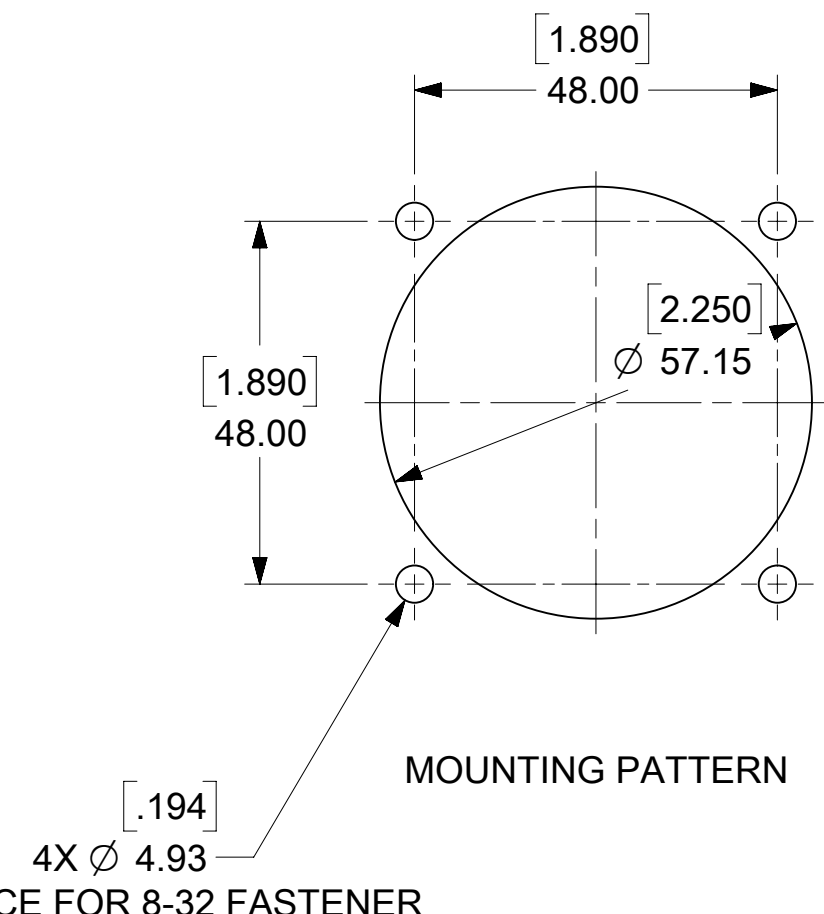
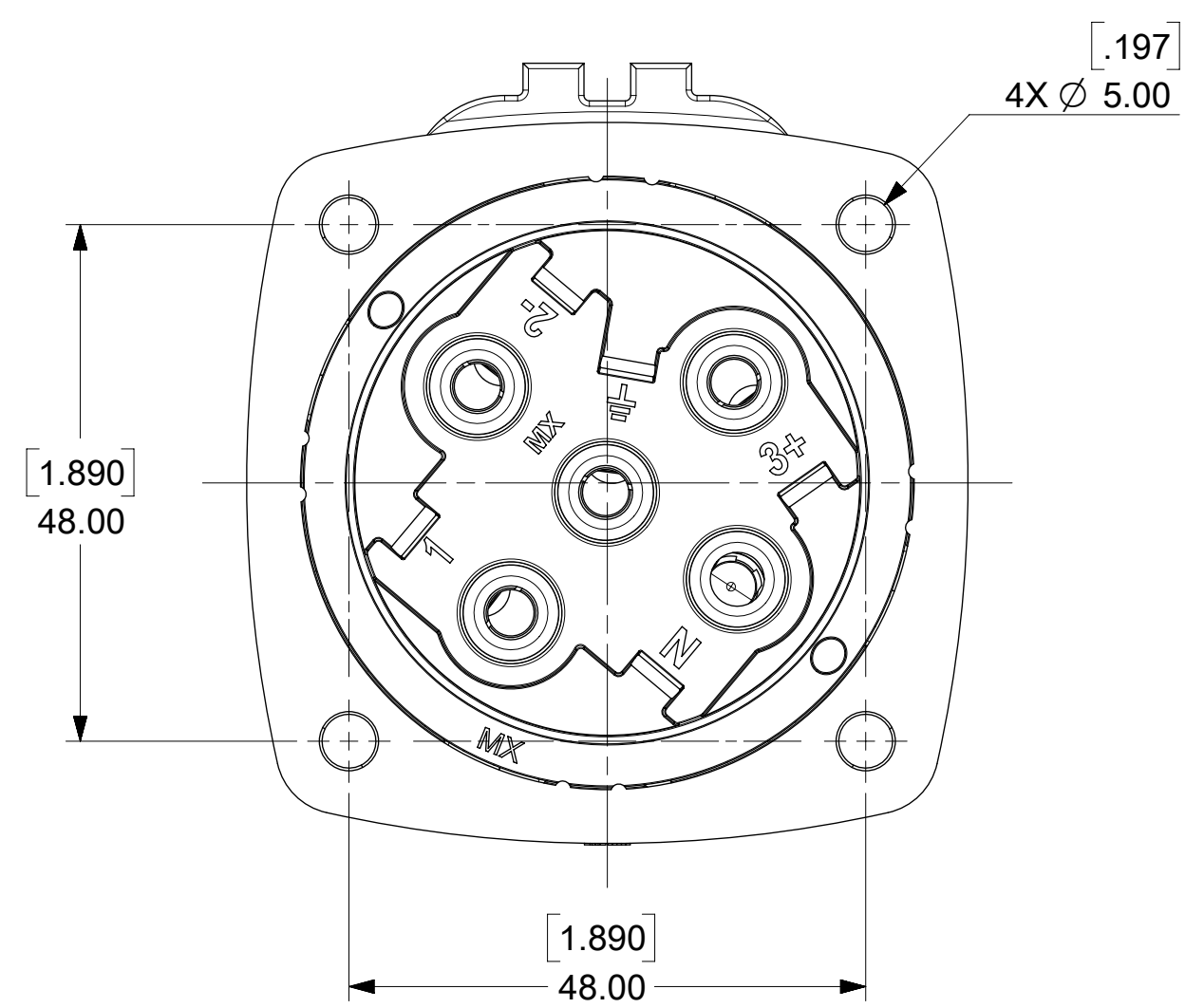
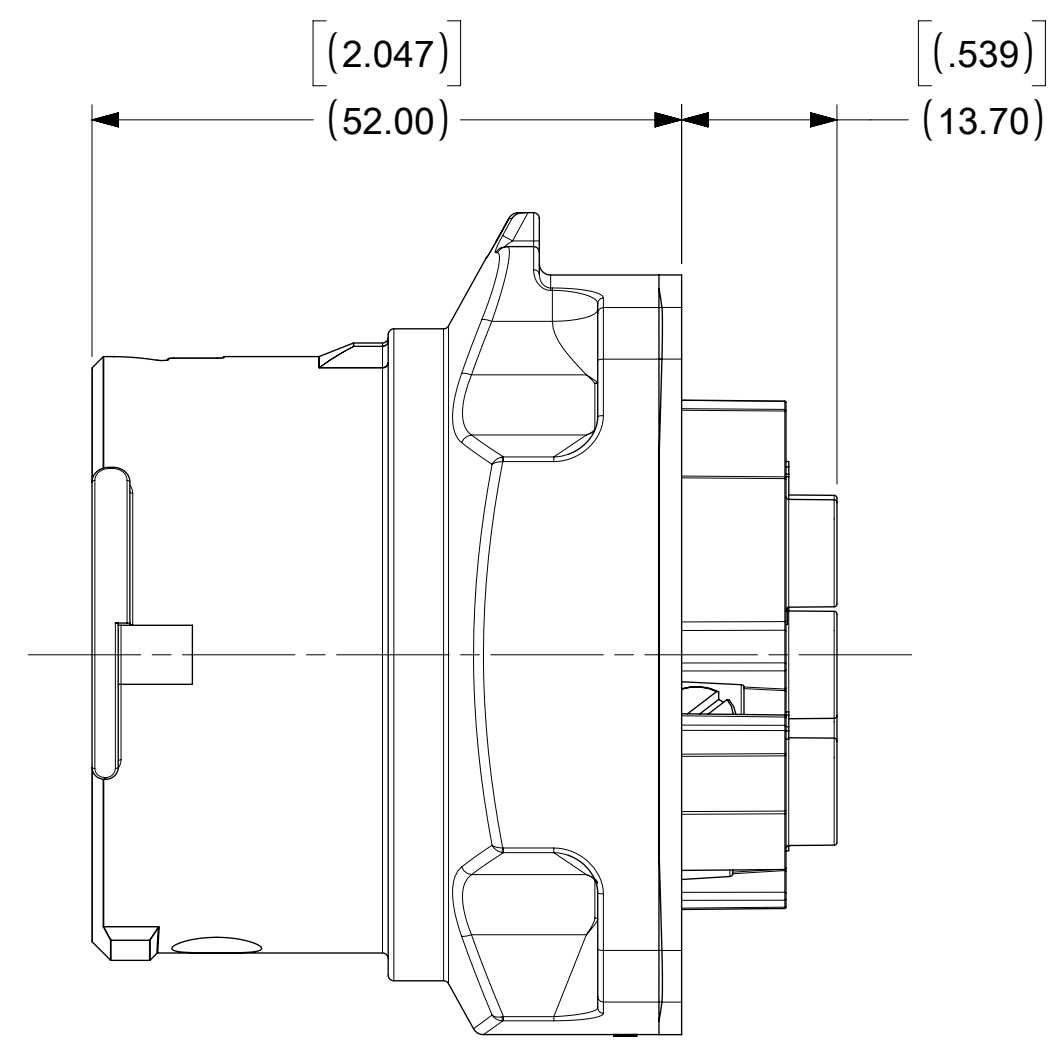
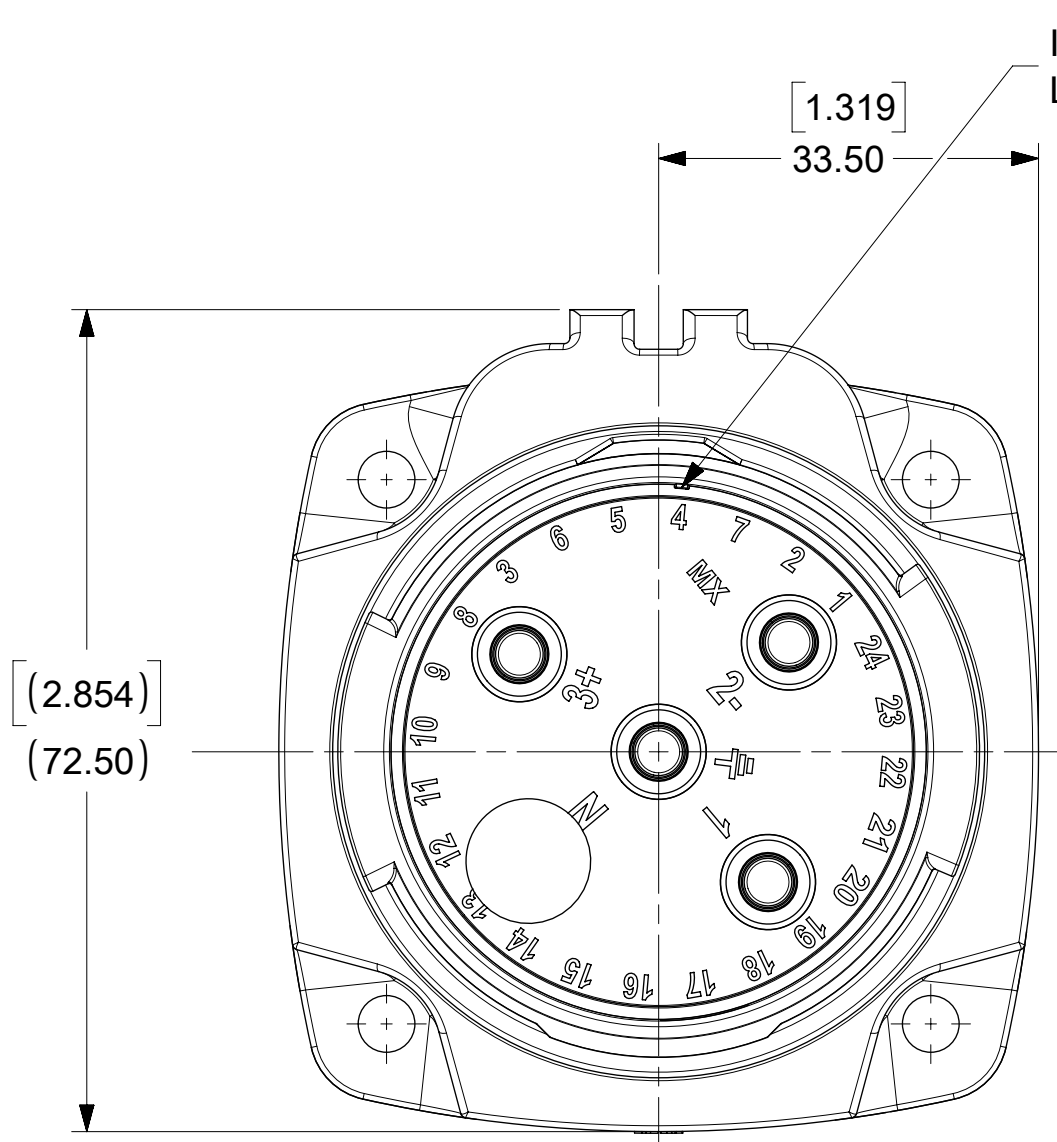


| MATERIAL NUMBER | ENG NO. | DESCRIPTION | INSULATOR KEYING POSITION | HORSEPOWER RATING |
|-----------------|------------|-----------------------------|---------------------------|-------------------|
| 1122191001 | ARC30MA01 | ARC 30A M 125VAC 1P+N+G | 7 | 1 HP |
| 1122191002 | ARC30MB02 | ARC 30A M 250VAC 2P+G | | 3 HP |
| 1122191003 | ARC30MB03 | ARC 30A M 250VAC 3P+G | | 5 HP |
| 1122191004 | ARC30MAB04 | ARC 30A M 125/250VAC 2P+N+G | 16 | NA |
| 1122191005 | ARC30MC02 | ARC 30A M 208VAC 2P+G | | NA |
| 1122191006 | ARC30MC03 | ARC 30A M 208VAC 3P+G | | 5 HP |
| 1122191007 | ARC30MAC05 | ARC 30A M 120/208VAC 3P+N+G | 4 | NA |
| 1122191008 | ARC30MD01 | ARC 30A M 277VAC 1P+N+G | | NA |
| 1122191009 | ARC30ME02 | ARC 30A M 480VAC 2P+G | | NA |
| 1122191010 | ARC30ME03 | ARC 30A M 480VAC 3P+G | 14 | 10 HP |
| 1122191011 | ARC30MDE05 | ARC 30A M 277/480VAC 3P+N+G | | NA |
| 1122191012 | ARC30MF02 | ARC 30A M 600VAC 2P+G | | NA |
| 1122191013 | ARC30MF03 | ARC 30A M 600VAC 3P+G | 14 | NA |
| 1122191014 | ARC30MGF05 | ARC 30A M 347/600VAC 3P+N+G | | NA |



SCALE 1:1



NOTES:

MATERIALS:
HOUSINGS AND INSULATORS: GLASS FILLED PBT
CONTACTS: COPPER ALLOY WITH A SILVER NICKEL TIP, SILVER PLATED.
MOUNTING GASKET: SILICONE

RATING:
CURRENT: 30 AMPS
VOLTAGE AND HORSEPOWER: SEE TABLE
OPERATING TEMPERATURE: -25°C (-13°F) TO 60°C (140°F) (B4)
(WITH 30°C MAX RISE ABOVE AMBIENT)
ENVIRONMENTAL: TYPE 4X, IP69K
WIRING CAPACITY: 12 AWG MIN. TO 8 AWG MAX.
TORQUE TERMINAL SCREWS TO 1.7 Nm (15 in-lbs)
AGENCY: UL LISTING PENDING
SWITCH RATED INLET/PLUG
BRANCH CIRCUIT DISCONNECT SWITCH
MOTOR CIRCUIT DISCONNECT SWITCH IF HP RATED

THIS DRAWING REPLACES SD-112219-101

ARC30ME03 SHOWN

| | | | | |
|--|---|--|--|-----------------|
| FUNCTIONAL SYMBOLS | THIS DRAWING CONTAINS INFORMATION THAT IS PROPRIETARY TO MOLEX ELECTRONIC TECHNOLOGIES, LLC AND SHOULD NOT BE USED WITHOUT WRITTEN PERMISSION | | CURRENT REV DESC: OPERATING TEMPERATURE WAS -40°C (-40°F) TO 60°C (140°F) CHANGED TO -25°C (-13°F) TO 60°C (140°F) (WITH 30°C MAX RISE ABOVE AMBIENT). | |
| | DIMENSION UNITS | SCALE | CURRENT REV DESC: OPERATING TEMPERATURE WAS -40°C (-40°F) TO 60°C (140°F) CHANGED TO -25°C (-13°F) TO 60°C (140°F) (WITH 30°C MAX RISE ABOVE AMBIENT). | |
| FA = 0 | MM [INCH] | 1.5:1 | EC NO: 648298 | |
| FC = 0 | GENERAL TOLERANCES (UNLESS SPECIFIED) | | DRWN: MBRZOWSKI 2020/11/02 | |
| FD = 0 | | | CHK'D: WLEUNG 2020/11/12 | |
| DIVISIONAL SYMBOLS | 4 PLACES | ± | APPR: JFMURPHY 2021/04/12 | |
| | 3 PLACES | ± | INITIAL REVISION: | |
| | 2 PLACES | ± 0.13 | DRWN: | |
| | 1 PLACE | ± 0.25 | APPR: | |
| 0 PLACES | ± | DRAFT WHERE APPLICABLE MUST REMAIN WITHIN DIMENSIONS | | |
| ANGULAR TOL ± 0.5° | | THIRD ANGLE PROJECTION | | DRAWING |
| DRAFT WHERE APPLICABLE MUST REMAIN WITHIN DIMENSIONS | | C-SIZE | | SERIES |
| DRAFT WHERE APPLICABLE MUST REMAIN WITHIN DIMENSIONS | | 112219 | | MATERIAL NUMBER |
| DRAFT WHERE APPLICABLE MUST REMAIN WITHIN DIMENSIONS | | SEE TABLE | | CUSTOMER |
| DRAFT WHERE APPLICABLE MUST REMAIN WITHIN DIMENSIONS | | GENERAL MARKET | | SHEET NUMBER |
| DRAFT WHERE APPLICABLE MUST REMAIN WITHIN DIMENSIONS | | 1 OF 1 | | |



ARC 30A M 480VAC 3P+G

PRODUCT CUSTOMER DRAWING

DOCUMENT NUMBER: 1122191010
DOC TYPE: PSD
DOC PART: 000
REVISION: B5

| | | | |
|-----------------|----|--------------|---------------------|
| DOCUMENT STATUS | P1 | RELEASE DATE | 2021/04/12 14:38:28 |
|-----------------|----|--------------|---------------------|