

4

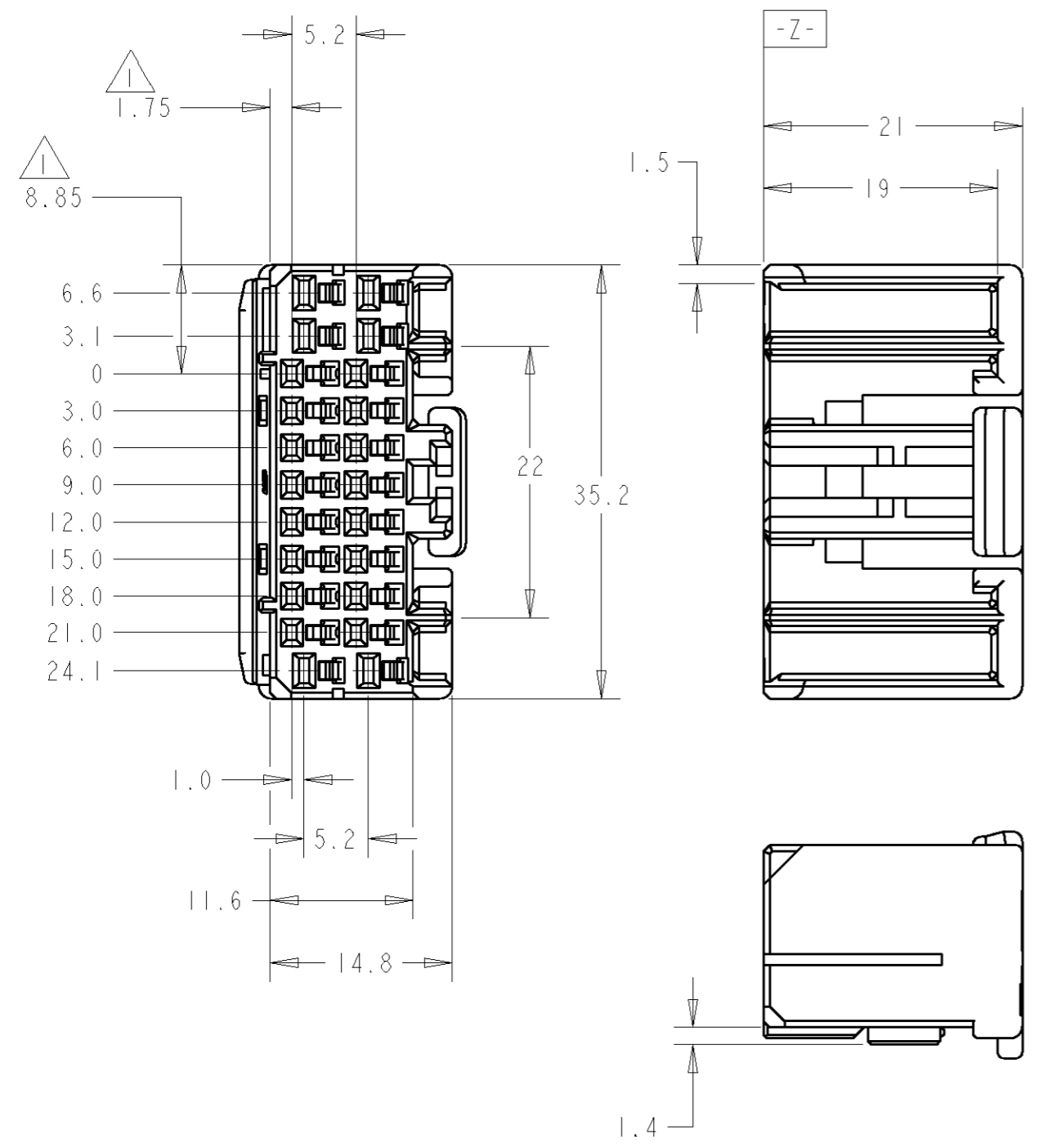
3

2

1

THIS DRAWING IS UNPUBLISHED. RELEASED FOR PUBLICATION 20  
 © COPYRIGHT 20 BY TYCO ELECTRONICS CORPORATION. ALL RIGHTS RESERVED.

LOC	DIST	REVISIONS			
P	LTR	DESCRIPTION	DATE	DWN	APVD
FX	00	I	PRELIMINARY	30SEP2002	RGV DMR
		O	RLSD TO STAT 2 PER 0K80-0131-03	02MAY2003	RGV RMC
		A	REV PER EC 0K80-0178-03	06JUN2003	JLM RMC
		B	REV PER 0K80-0401-04	21OCT2004	AG RC



MEASURED AT [-Z-] TO 2mm FROM [-Z-].  
 2. APPLIED CONTACT PART NUMBER: 175265, 175266, 175268, 175269.

PBT	WHITE	PBT	ORANGE	1438399-8
PBT	WHITE	PBT	GRAY	1438399-6
PBT	WHITE	PBT	BLACK	1438399-2
PBT	WHITE	PBT	WHITE	1438399-1
MATERIAL	COLOR	MATERIAL	COLOR	PART NO
LOCKPLATE				HOUSING

THIS DRAWING IS A CONTROLLED DOCUMENT FOR TYCO ELECTRONICS CORPORATION. IT IS SUBJECT TO CHANGE AND THE CONTROLLING ENGINEERING ORGANIZATION SHOULD BE CONTACTED FOR THE LATEST REVISION.

DIMENSIONS: mm	TOLERANCES UNLESS OTHERWISE SPECIFIED: 0 PLC ±0.3 1 PLC ±0.3 2 PLC ±0.15 3 PLC ± 4 PLC ± ANGLES ±1°	DWN R. VESTAL 30SEP2002 CHK D. REVAK 30SEP2002 APVD D. REVAK 30SEP2002	Tyco Electronics Harrisburg, PA 17105-3608
MATERIAL SEE TABLE	FINISH -	PRODUCT SPEC 108-5342 APPLICATION SPEC 114-5094 WEIGHT -	
CUSTOMER DRAWING			SCALE 2:1 SHEET 1 OF 1 REV B