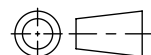
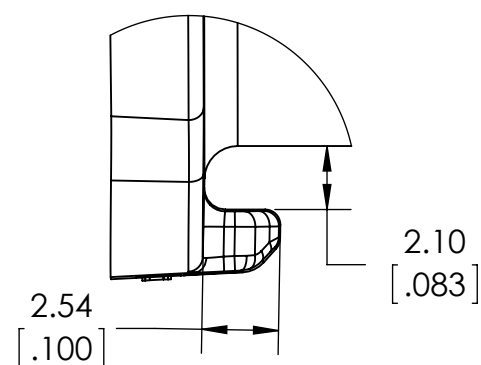


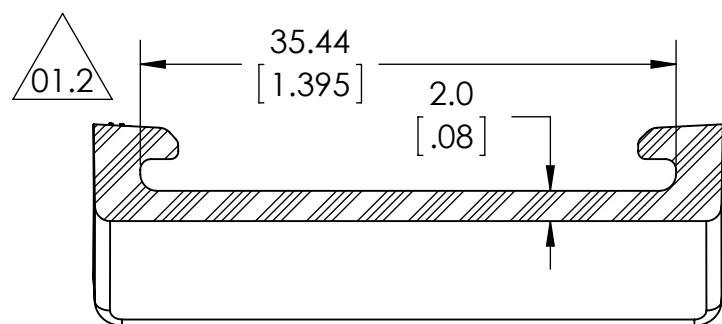
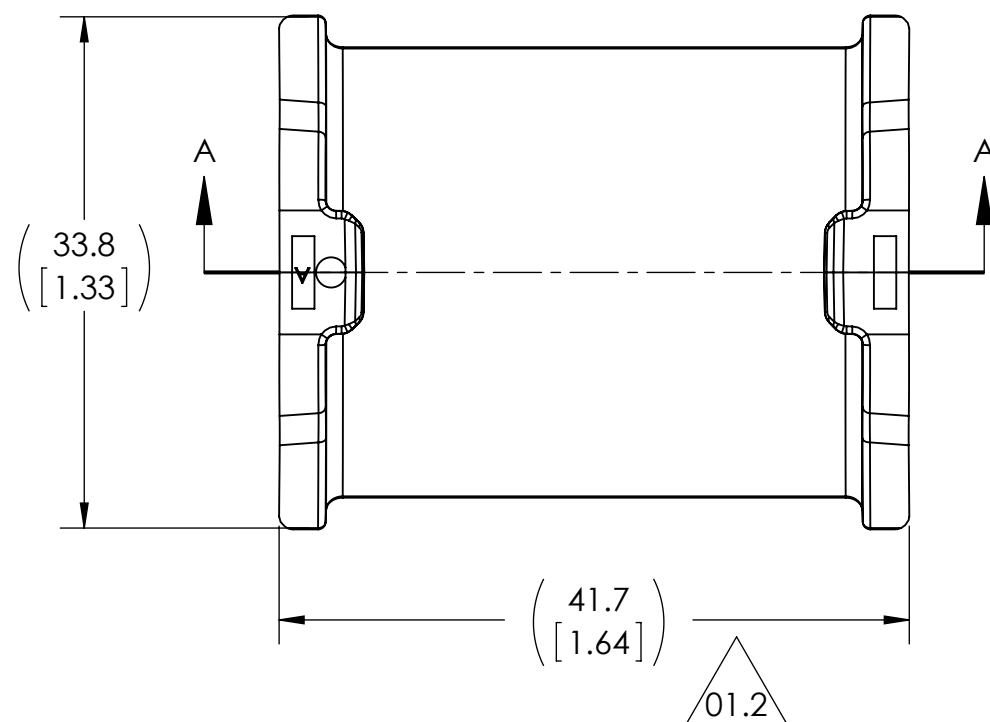
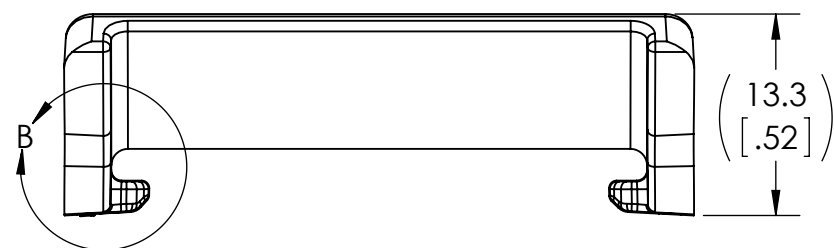
SW2014



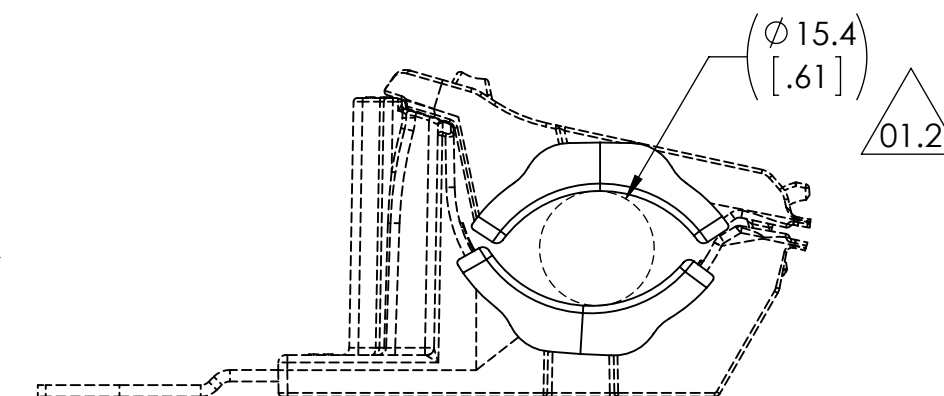
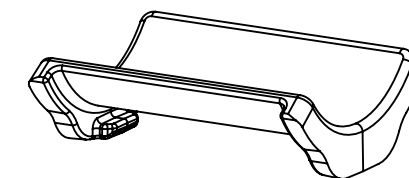
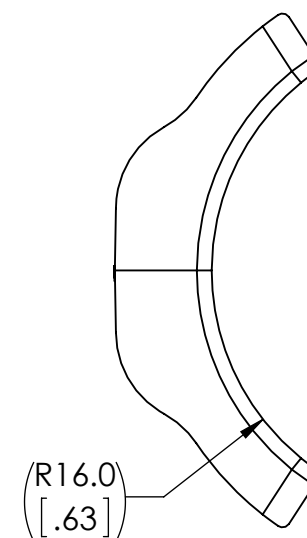
Revision level			Revision Record	Changed	Date	Approved	Date
Drawing	State	Part					
01.2	Design Release	A	SEE ECN# 013422	MHT	4/20/2016	KAC	4/20/2016



DETAIL B
SCALE 4 : 1

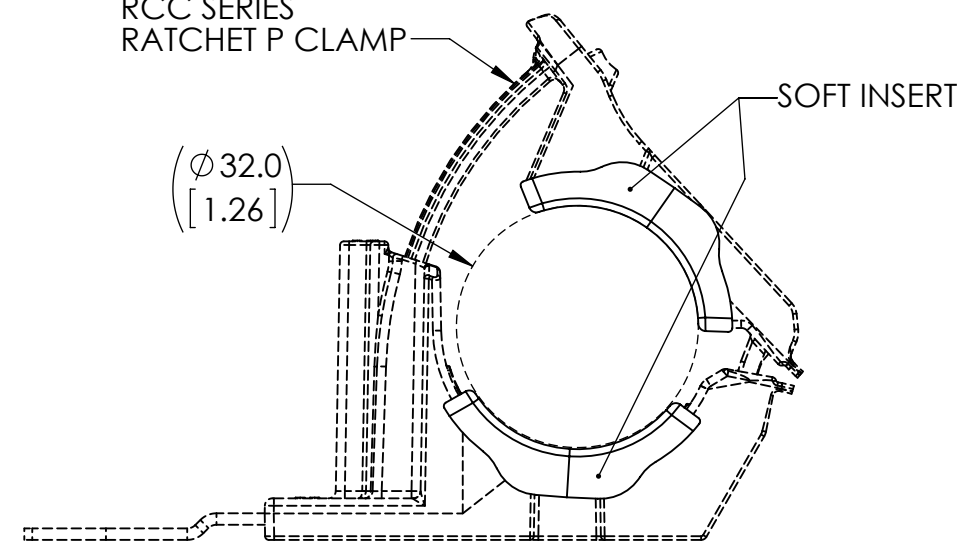


SECTION A-A



MINIMUM BUNDLE DIAMETER

RCC SERIES
RATCHET P CLAMP



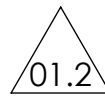
MAXIMUM BUNDLE DIAMETER



PERFORMANCE REQUIREMENT:

1. ASSEMBLE FLEXIBLE INSERT INTO CLAMP AS SHOWN ABOVE. INSERT SHOULD NOT DISENGAGE WHEN SHAKEN BY HAND.

Notes	Material	Units:	<p>The copyright of this drawing is reserved by HellermannTyton. It is issued on condition that it is not reproduced, copied, or disclosed to a third party, either wholly or in part, without the consent of HellermannTyton.</p>
1. USED WITH RCC SERIES RATCHET P CLAMP	TPV	millimeters	
2. USE 2 INSERTS PER RCC SERIES RATCHET P CLAMP		Dimension without tolerances details to:	
3. MAXIMUM ALLOWABLE FLASH OR MISMATCH TO BE: 0.25mm		.xxx = ±.013 .xx = ±.13 .x = ±.3 None = ±.8 < = ±0.5* Dimension Formatted mm/[in]	



Drawn	KEP	8/27/2015
Approved	MHT	8/27/2015
HellermannTyton North America Email: corp@htamericas.com Web: www.hellermann.tyton.com		

Article/Type-No	RCINSERTC	Scale	2:1
Title	SOFT INSERT C - FOR SIZE C RATCHET P CLAMP	Project Number	PRP15-0341
Drawing-No	15-0341-012-CSU	Format	B
Production : Phase		Sheet	1/1