

ITEM	PART#	DESCRIPTION	QTY	UOM
A	19091036	3CKT 2.36MM REC HOUSING 31913R1201	1	PC
B	2091102	093 Female Term Chain Tin 14-20	3	PC
C	--	PAPER PRINTED PAPER WHITE	1	PC

FROM	TO	DESCRIPTION	COLOR
A1	--	1X14AWG DISC PVC BK UL1015 HOOKUP	BLACK
A2	--	1X14AWG DISC PVC BK UL1015 HOOKUP	BLACK
A3	--	1X14AWG DISC PVC BK UL1015 HOOKUP	BLACK

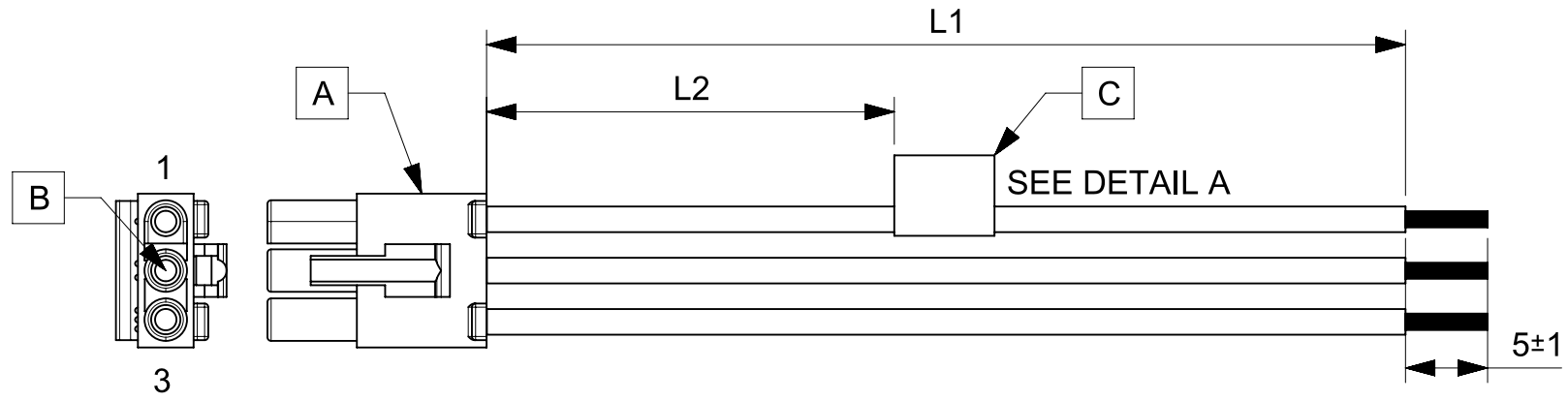


TABLE				
PART NUMBER	L1	L2	TITLE	
2162911031	150±8	63 REF	STANDARD .093 3 CIRCUIT R TO S 150MM	
2162911032	300±10	138 REF	STANDARD .093 3 CIRCUIT R TO S 300MM	
2162911033	600±10	288 REF	STANDARD .093 3 CIRCUIT R TO S 600MM	

- NOTES**
1. Connector view shown is from mating side.
  2. Free ends must be stripped, twisted & tinned. The length of tinning is 5±1mm. Tinning dia must be 2.4mm Max.
  3. Label text must be 2mm max. in height with Arial font.
  4. Label must be wrapped in Flag type on a single cable.

MOLEX P/N  
MOLEX  
BATCH WK/YR  
DETAIL A

REVISION			
DATE	REV	DESCRIPTION	CHANGER
2020/06/22	A	INITIAL RELEASE	ARAJU

FUNCTIONAL SYMBOLS FA = 0 FE = 0 FP = 0	THIS DRAWING CONTAINS INFORMATION THAT IS PROPRIETARY TO MOLEX ELECTRONIC TECHNOLOGIES, LLC AND SHOULD NOT BE USED WITHOUT WRITTEN PERMISSION		CURRENT REV DESC:		<b>molex</b>
	DIMENSION UNITS mm	SCALE NTS	GENERAL TOLERANCES (UNLESS SPECIFIED)		
DIVISIONAL SYMBOLS	ANGULAR TOL ± °		EC NO: 643258		SEE TABLE
4 PLACES ±	3 PLACES ±		DRWN: ARAJU 2020/06/22		
3 PLACES ±	2 PLACES ±		CHK'D: RDESAI01 2020/08/12		PRODUCT CUSTOMER DRAWING
2 PLACES ±	1 PLACE ±		APPR: RDESAI01 2020/08/12		
1 PLACE ±	0 PLACES ±		INITIAL REVISION:		DOCUMENT NUMBER 2162911031
0 PLACES ±	DRAFT WHERE APPLICABLE MUST REMAIN WITHIN DIMENSIONS		DRWN: ARAJU 2020/06/22		
THIRD ANGLE PROJECTION		DRAWING A4-SIZE	SERIES 216291	MATERIAL NUMBER SEE TABLE	DOC TYPE PSD
		CUSTOMER GENERAL MARKET		DOC PART 000	REVISION A
				SHEET NUMBER 1 OF 1	

RELEASE STATUS	P1	RELEASE DATE	2020/08/12	08:39:02
----------------	----	--------------	------------	----------