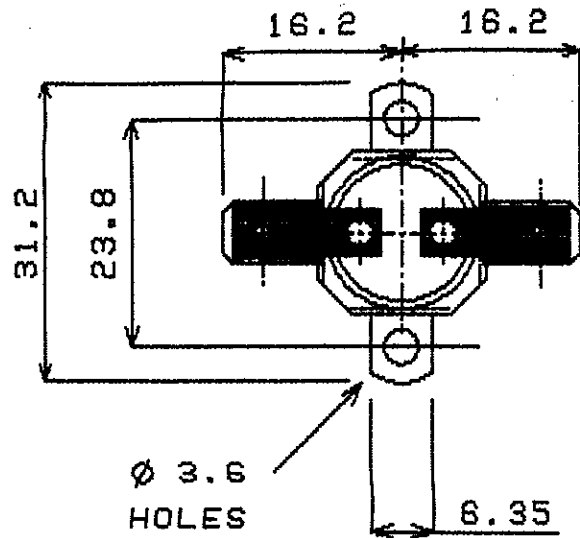


DO NOT SCALE ALL DIMENSIONS ARE FOR REFERENCE ONLY

OPERATING CRITERIA

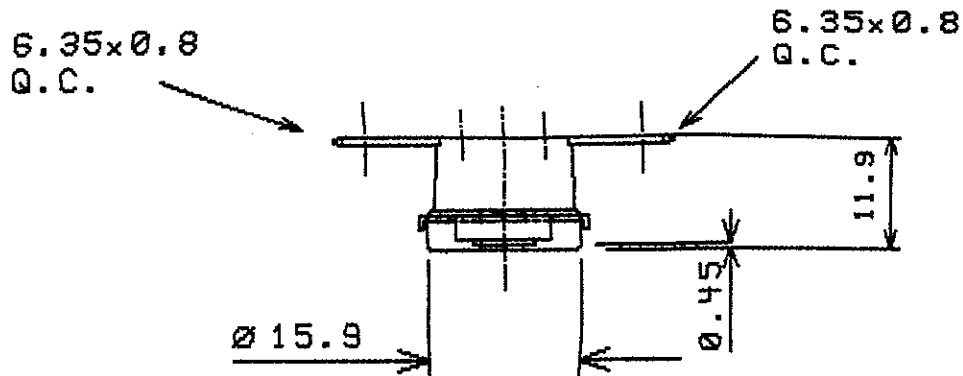


VOLTS; 240      AMPS; 10      HZ;

OPERATING TEMPS. DEG. C

OPEN; 150 ± 4

CLOSE; 135 ± 5



NOTE: ORIENTATION OF BRACKET IS NOT FIXED

ISSUE	A	B							
MOD No	2052	2250							
MTH/YR	3/97	7/98							

CODING REQUIREMENTS

COLOUR; LASER CODE  
L150C RP 9100 441 XXX

(XXX = DATE CODING)

CAP; 5200      MAT'L; ALUMINIUM  
BRK'T; B2036      MAT'L; STEEL  
..... PLATING; NICKEL .....

TERMINAL; T146      : T146  
MATERIAL; BRASS      : BRASS  
PLATING; NICKEL      : NICKEL

ELMWOOD DEVICE & UNIQUE PART No.  
2455RP-9100-441

ELMWOOD DRG No.      ISSUE  
965209      B



ELMWOOD  
SENSORS LTD

DATE OF ISSUE STAMP  
7 JUL 1998