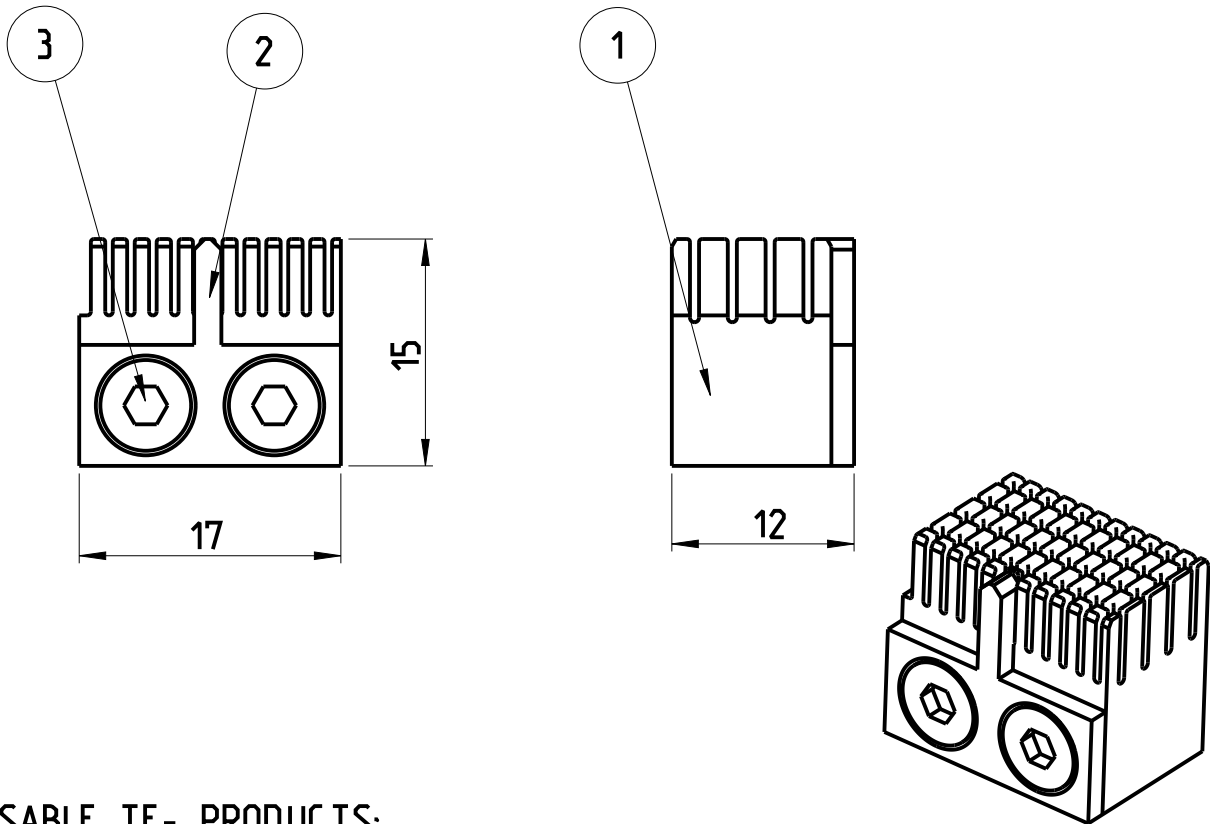


REVISIONS					
P	LTR	DESCRIPTION	DATE	DWN	APVD
	A	INITIAL REVISION	07MAR2014	LS	LB
	A1	ECR-20-017979	02FEB2021	PNT	GS



PROCESSABLE TE- PRODUCTS: TE- P/N 2042088
 Verarbeitbare TE- Produkte:

INSTRUCTION SHEET: TE- P/N 3-744014-4
 Bedienungsanleitung:

© 2020 TE Connectivity. All Rights Reserved.

POS	QTY	TE P/N	REV	DESCRIPTION	S	W
1	1	4-0519564-3	A	INSERTION BLOCK EINDRUECK BLOCK		
2	1	4-0519564-4	A	KEYING KODIERUNG		
3	2	1-1655784-7	B	SCREW, CAP. FLAT SOCKET HEAD		
4	1	3-0744014-4	A	INSTRUCTION SHEET BED IENUNGSANLEITUNG		

DIMENSIONS: mm		DWN L. Sandhu 07MAR2014	MATERIAL	FINISH -
TOLERANCES UNLESS OTHERWISE SPECIFIED:		CHK L. Bauer 07MAR2014		
0 PLC ± 1 PLC ±± 2 PLC ±± 3 PLC ±± 4 PLC ±± ANGLES ±		APVD L. Bauer 07MAR2014		
		PRODUCT SPEC	NAME INSERTION BLOCK Eindrueck-Block	
		APPLICATION SPEC	SIZE A 4	CAGE CODE 00779
		WEIGHT 0.019	DRAWING NO C-528504-2	RESTRICTED TO -
		CUSTOMER DRAWING	SCALE 2:1	SHEET 1 OF 1
				REV A1