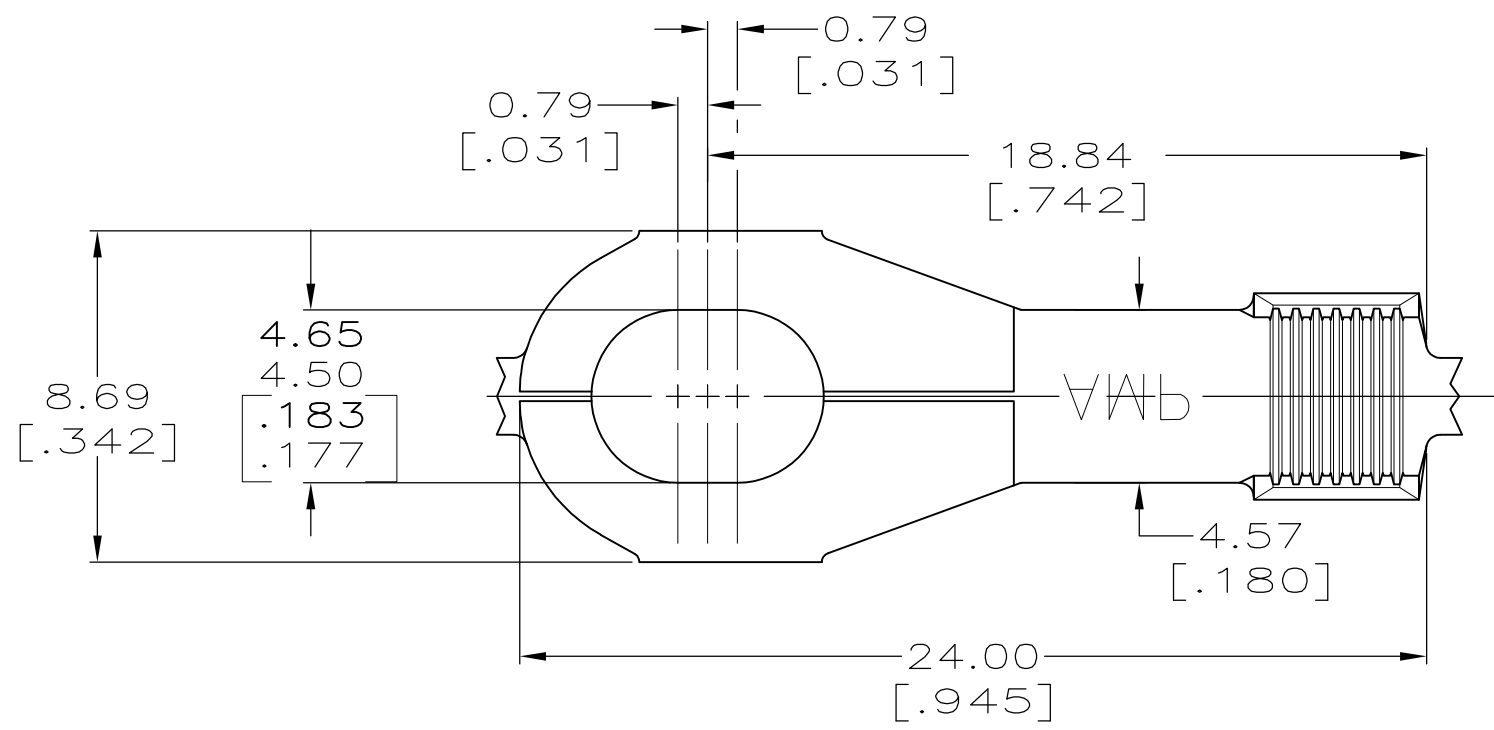
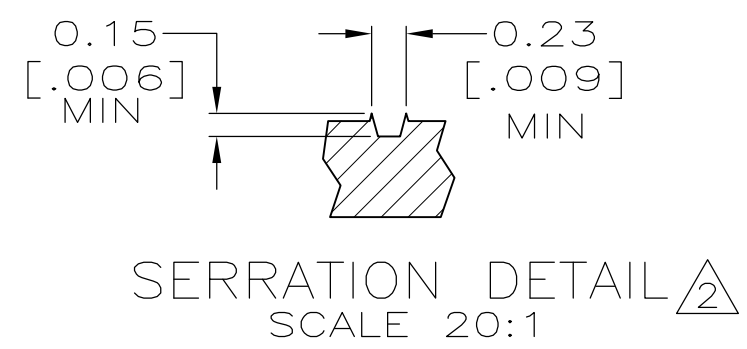
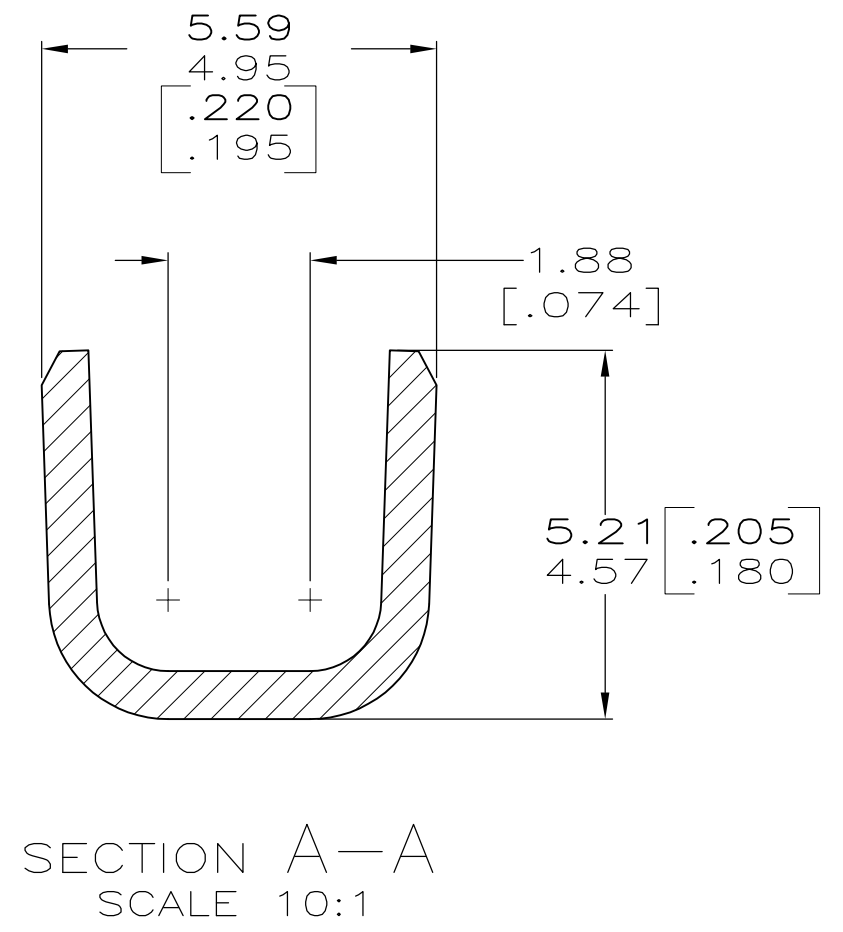
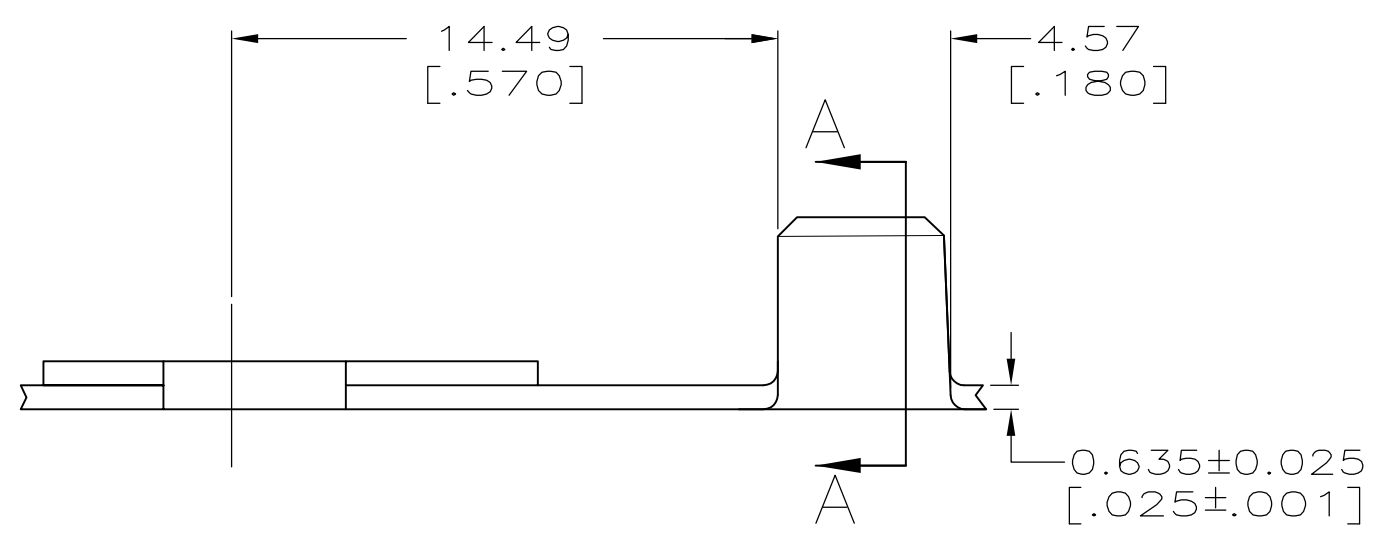


THIS DRAWING IS UNPUBLISHED. RELEASED FOR PUBLICATION
 © COPYRIGHT - By TYCO ELECTRONICS CORPORATION. ALL RIGHTS RESERVED.

| LOC | DIST | REVISIONS | | | |
|-----|------|-------------|--------------------------|-----------|--------|
| P | LTR | DESCRIPTION | DATE | DWN | APVD |
| AF | 50 | F | REVISE PER ECR-13-013738 | 15FEB2014 | GRZ JL |



- 1 CONTINUOUS STRIP ON REEL.
- 2 SERRATION DETAIL APPLIES ONLY AT STRAIGHT PORTION ON SIDE OF BARREL.



| | |
|----------------------------|-------------|
| 14-12 AWG OR (2) 15 AWG | 62755-1 |
| WIRE RANGE | PART NUMBER |

| | | | | |
|--|-------------|------------------------------------|-----------------------|------------|
| THIS DRAWING IS A CONTROLLED DOCUMENT. | | DWN 14APR1999 PHILLIP M FORTNEY | TE Connectivity | |
| DIMENSIONS: mm | | CHK 14APR1999 JEFF R RUTH | | |
| TOLERANCES UNLESS OTHERWISE SPECIFIED: | | APVD 14APR1999 JEREMY DUNCAN | NAME RING,AMPLIVAR | |
| 0 PLC ± - | 1 PLC ± - | PRODUCT SPEC | SIZE | |
| 2 PLC ± 0.25[.010] | 3 PLC ± - | APPLICATION SPEC | CAGE CODE | DRAWING NO |
| 4 PLC ± - | ANGLES ± - | WEIGHT | A300779 | C-62755 |
| MATERIAL BRASS | FINISH - | CUSTOMER DRAWING | RESTRICTED TO | |
| SCALE 5:1 | | | SHEET 1 OF 1 | REV F |