



**Electrical specifications**

**Center Frequency:** 2436.5 MHz  
**Bandwidth:** (-3 dB): 70 MHz  
**Input / Output Impedance:** 50 Ohm  
**Passband:** 2401.5 – 2471.5 MHz  
**Passband Insertion Loss:** <1.1dB(0.9dB typical)  
**Passband Ripple:** <0.2 dB  
**Passband Return Loss:** 15dB (-18dB typical)  
**Selectivity:**  
 20dB BW: <91 MHz (Fc+/-45.5MHz)  
 30dB BW: <106MHz (Fc+/-53 MHz)  
 60dB BW: <150MHz (Fc+/-75 MHz)  
**Harmonic Rejection:** >80dB (90dB typical)  
**Power Handling:** 50 W

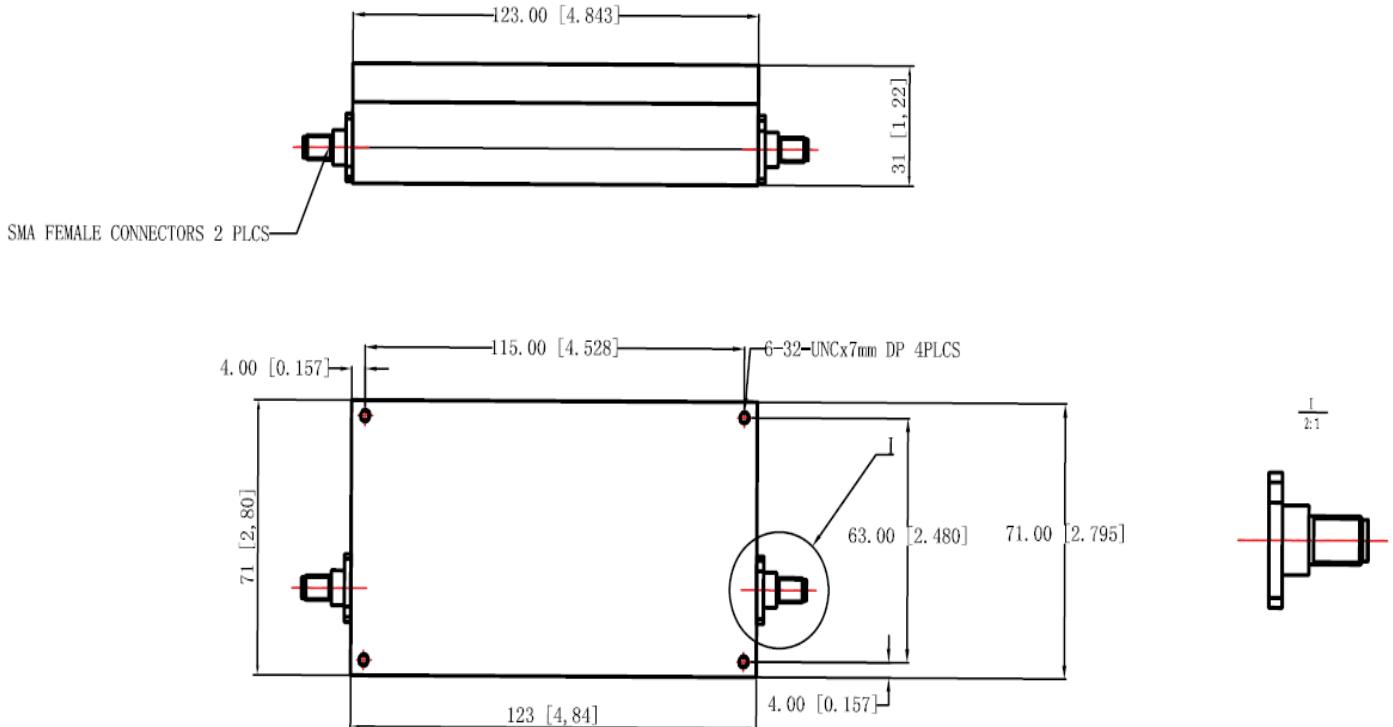
**Mechanical**

**Mounting Method:** Threaded Mounting Holes  
**Connector Type:** SMA (F)  
**Dimensions:** 4.84" x 2.8" x 1.22"

**Environmental**

**Operating Temperature:** -40 to +85 deg.C  
**Storage Temperature:** -55 to +95 deg.C  
**Shock:** 20 G. 11ms  
**Vibration:** 20 G. 5 to 200 MHz

**Outline Drawing:**





### Response Plot:

