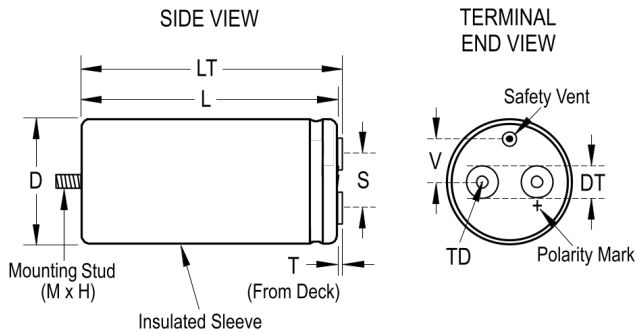


ALS31A682DF100

Aliases (A431FM682M100A)

ALS31, Aluminum Electrolytic, 6,800 uF, 20%, 100 VDC, -40/+85°C



Click [here](#) for the 3D model.

Dimensions

D	36mm +/-1mm
L	105mm +/-2mm
T	7.1mm +/-0.5mm
S	12.8mm +/-0.5mm
DT	8mm +/-0.5mm
LT	111.5mm +/-1mm
TD	10mm MIN
V	8mm NOM

Packaging Specifications

Sleeving	Yes
Packaging	Bulk, Box

General Information

Series	ALS31
Dielectric	Aluminum Electrolytic
Description	Screw Terminal, Aluminum Electrolytic
RoHS	Yes
AEC-Q200	No
Component Weight	140 g
Notes	Dimensions D And L Include Sleeving. MS (MxH) = M8x12.
Shelf Life	156 Weeks

Specifications

Capacitance	6,800 uF
Capacitance Tolerance	20%
Voltage DC	100 VDC, 115 VDC (Surge)
Temperature Range	-40/+85°C
Rated Temperature	85°C
Life	11000 Hrs (Rated Voltage And Ripple Current At 85C), 22000 Hrs (Rated Voltage At 85C)
Resistance	23 mOhms (100Hz 20C), 19 mOhms (10kHz 20C)
Ripple Current	10 Amps (100Hz 85C), 11.1 Amps (10kHz 85C)
Leakage Current	4080 uA (5min 20°C)