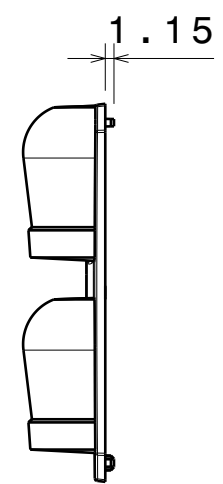
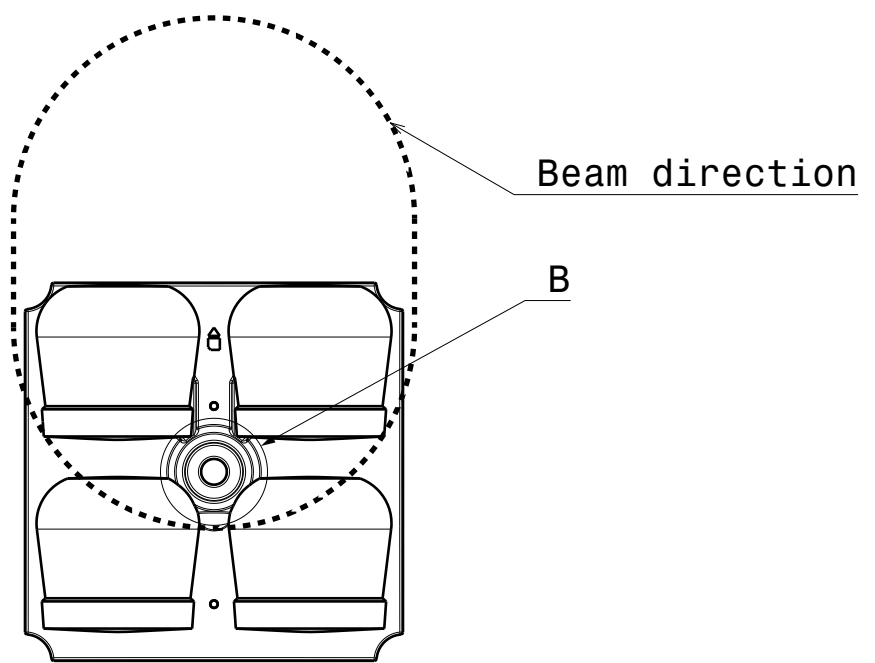


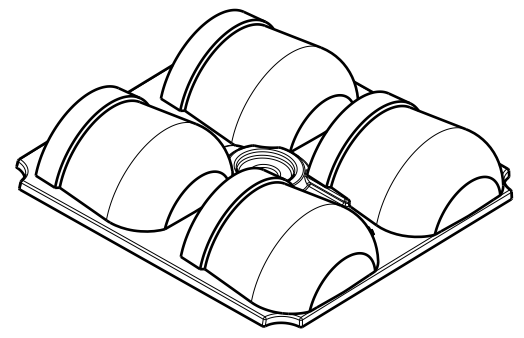
Scale: 1:1



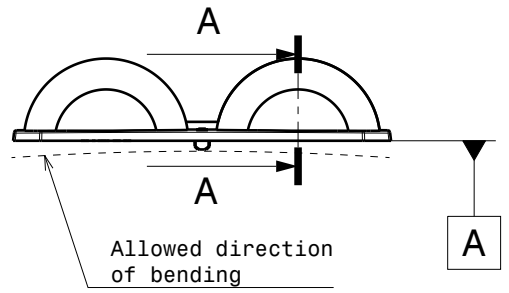
Scale: 1:1



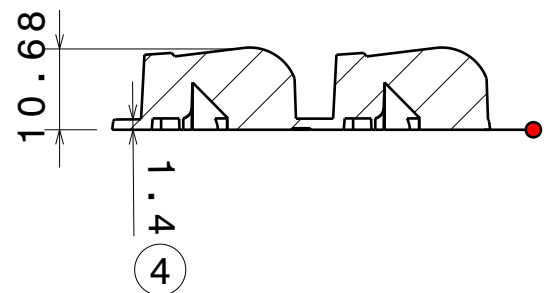
Scale: 1:1



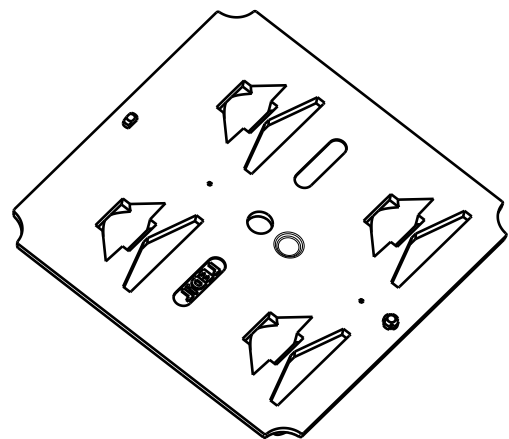
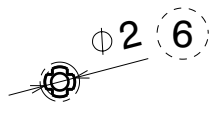
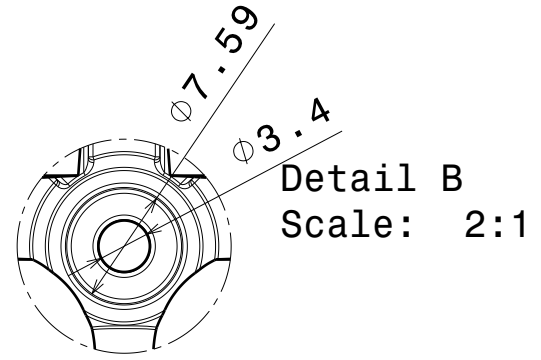
Scale: 1:1



Scale: 1:1



Section view A-A
Scale: 1:1



Scale: 1:1

PART	TYPE	MATERIAL	COLOR / COATING
C17410_Sport-2X2-FT6	Lens	PMMA	Clear

MECHANICAL DRAWING	
PRODUCT SPORT	
Plastic moulding general tolerances according to DIN 16901-130 and applies if not otherwise shown in the drawing. Silicone moulding general tolerances according to ISO 3302-1 Class M3 and applies if not otherwise shown in the drawing.	FIRST ANGLE PROJECTION:
SCALE 1:1	WEIGHT 12,7g

LEDiL®

This drawing is the property of LEDiL Oy. It may not be copied or otherwise distributed without prior written permission from LEDiL Oy.

A3 SHEET 1/1

Notes

●	PCB or heatsink level.
●	LED location
	Ensure LED fitting from a product specific 3D model available from www.ledil.com
	For more details about installation please see LEDiL Installation Guide on www.ledil.com