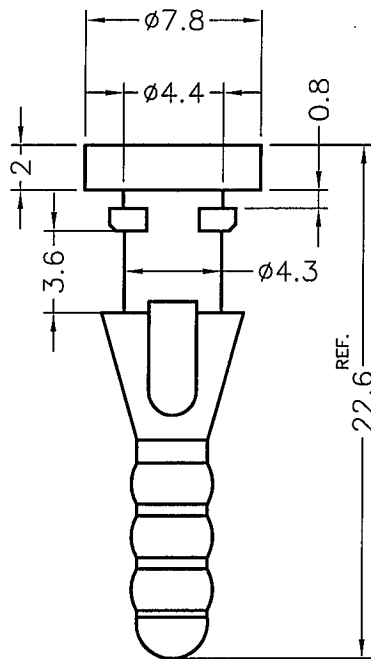

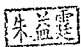


DIM.	TOL
5mm DOWN	±0.2
5~20mm	±0.3
20~40mm	±0.4
40~60mm	±0.5
60~100mm	±0.8
100mm UP	±1.0

REVISIONS			
REV	DESCRIPTION	DATE	BY



CHASSIS HOLE  $\phi 4.3$

 <p>康揚企業股份有限公司 KANG YANG HARDWARE ENTERPRISE CO., LTD. 康揚塑膠(東莞)有限公司 KANG YANG PLASTIC(DONG GUAN) CO., LTD. 康哲電腦配件(吳江)有限公司 KANG CHE COMPUTER COMPONENTS(WUJIANG) CO., LTD.</p>		TITLE	FAN SNAP RIVET	SPEC. DWG.
		MATERIAL	TPE	DATE 2008.09.30
		HARDNESS	45°±10°	DRAWN Ken
		COLOR	BLACK	CHECK 
PART NUMBER BUB-1G	DRAWING NUMBER BUB-1G	UNLESS OTHERWISE SPECIFIED TOLERANCE SEE ABOVE	APPROVED Kang	
SIZE A4	SCALE 3:1	UNIT mm	REV A	