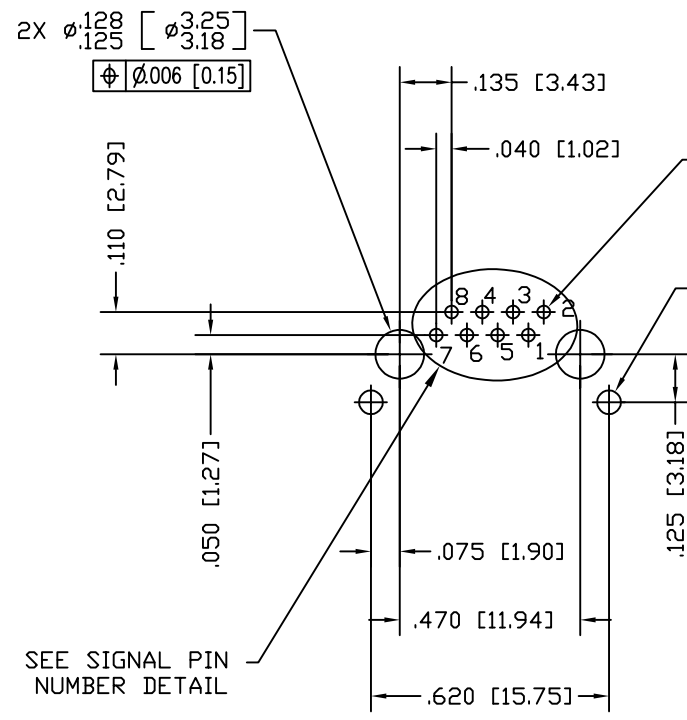
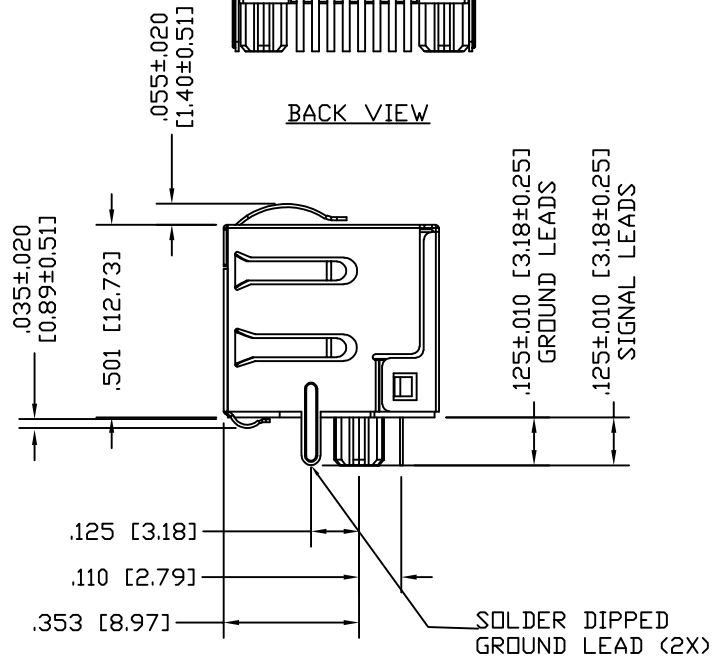
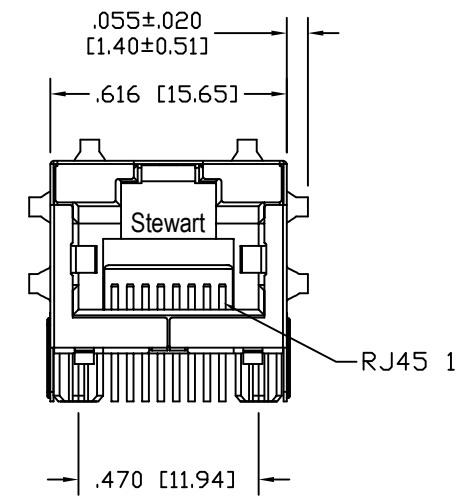
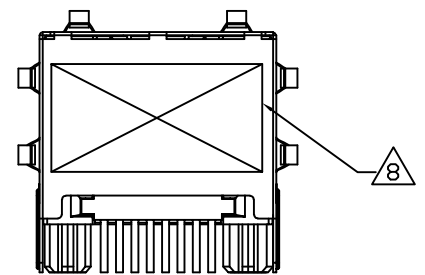
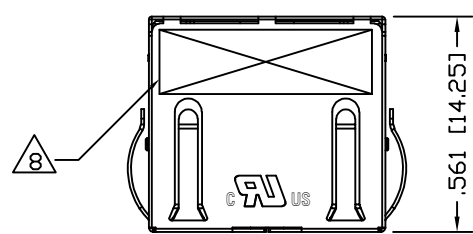


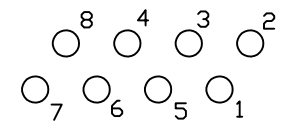
DATE	REV	ECN	APP'D. BY
10-24-16	A7	10798	TRM
8-28-17	A8	11076	TRM



- 8X  $\phi 0.035 \pm 0.003$  [ $\phi 0.89 \pm 0.08$ ]  
 $\phi 0.006$  [0.15]
- 2X  $\phi 0.063 \pm 0.003$  [ $\phi 1.60 \pm 0.08$ ]  
 $\phi 0.006$  [0.15]

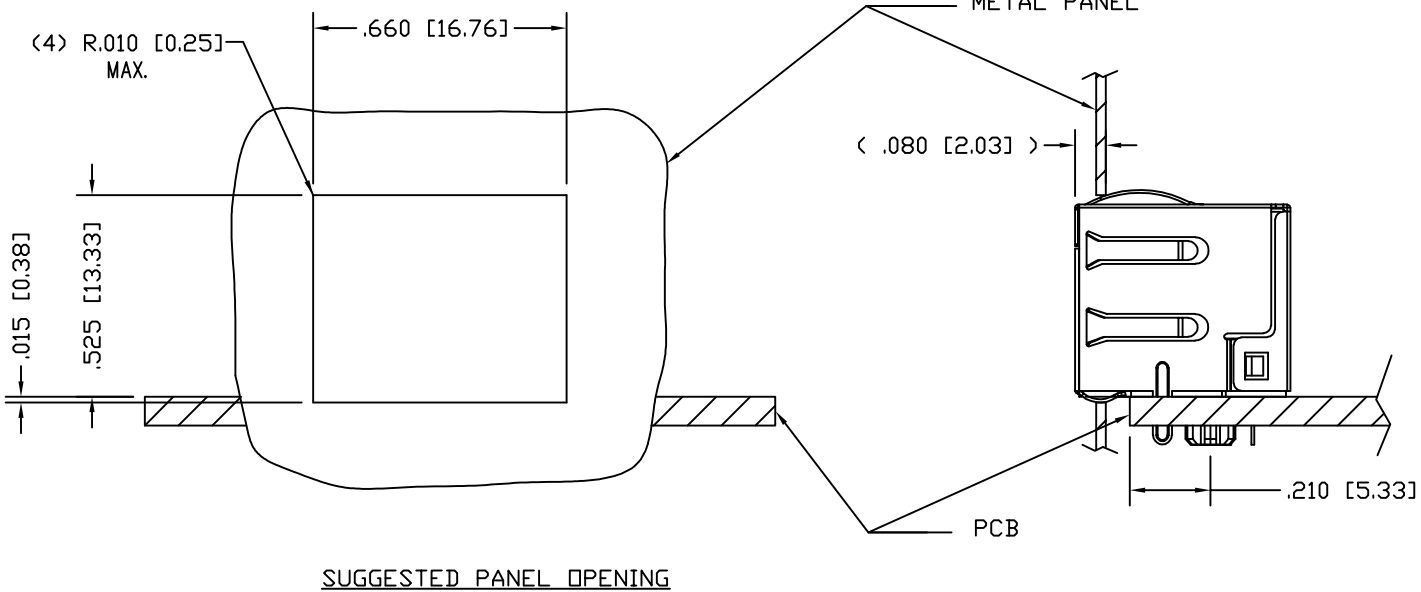
- NOTES:
- CONNECTOR MATERIALS:  
HOUSING: THERMOPLASTIC UL94 V-0  
CONTACTS/SHIELD: COPPER ALLOY  
SHIELD PLATING: NICKEL OR TIN  
CONTACT PLATING: SELECTIVE GOLD IN CONTACT AREA  
SEE CHART FOR PART NUMBER
  - DESIGNED FOR 10 GIGABIT APPLICATIONS.
  - DIMENSIONS AND TOLERANCES COMPLY WITH TIA-1096 STANDARD.
  - THE SUGGESTED PANEL OPENING IS INTENDED TO GIVE USER THE ABILITY TO HAVE REASONABLE JACK/PANEL CLEARANCES, YET MAINTAIN GROUNDING CAPABILITY. THESE VARIABLES CAN BE ADJUSTED IN EITHER DIRECTION BUT MAY CARRY SOME CONSEQUENCES IN THE FORM OF LOWER MATING FORCES OR TIGHTER ASSEMBLY TOLERANCES.
  - DIELECTRIC WITHSTANDING VOLTAGE ( CONTACT TO SHIELD ) : 2250VDC
  - HIGH TEMPERATURE PLASTIC; IR REFLOW COMPATIBLE FOR 260°C
  - FOR PRODUCT SPECIFICATION SEE PRO26-01
  - LOGO, PART NUMBER AND DATE CODE LOCATED APPROX. IN THIS AREA.
  - FOR PROPER JACK FUNCTION AND PERFORMANCE, TIA-1096 COMPLIANT PLUGS MUST BE USED.

P.C.B. RECOMMENDED HOLE LAYOUT  
SEEN FROM COMPONENT SIDE  
ALL CENTERLINE DIMENSIONS ARE BASIC.



SIGNAL PIN NUMBER DETAIL

50 MICRO-INCHES [1.27um]	SS-60300-010
CONTACT PLATING IN MATING AREA	PART NUMBER



THIRD ANGLE PROJECTION		1118 Susquehanna Trail South Glen Rock, PA 17327-9199 (717) 235-7512 <a href="http://www.stewartconnector.com">http://www.stewartconnector.com</a>	
DO NOT SCALE DRAWING DRAWING IS SUBJECT TO CHANGE WITHOUT NOTICE		<b>TITLE:</b> 10 GIGABIT, LOW PROFILE, HORIZONTAL SHIELDED JACK WITH PANEL GROUNDS, NO COMPENSATION	
DIMENSIONS: INCHES [METRIC]	THIS DRAWING AND THE SUBJECT MATTER SHOWN THEREON ARE CONFIDENTIAL AND THE PROPRIETARY PROPERTY OF STEWART CONNECTOR AND SHALL NOT BE REPRODUCED, COPIED, OR USED IN ANY MANNER WITHOUT PRIOR WRITTEN CONSENT OF STEWART CONNECTOR. ONE OR MORE U.S. PATENTS MAY APPLY TO THIS PRODUCT. FOR DETAILS, PLEASE VISIT: <a href="http://BELFUSE.COM/STEWART/STEWART_PATENTS/">HTTP://BELFUSE.COM/STEWART/STEWART_PATENTS/</a>	DRN BY: DHG	DATE: 12-01-06
UNLESS OTHERWISE SPECIFIED TOLERANCES ARE $\pm 0.005$ [0.13] ANGLES ARE $\pm 1^\circ$		APPD BY: TRM	DATE: 12-01-06
SHEET NO. 1 OF 1		DWG NO. CT600045	REV. A8



B

B

A

A