


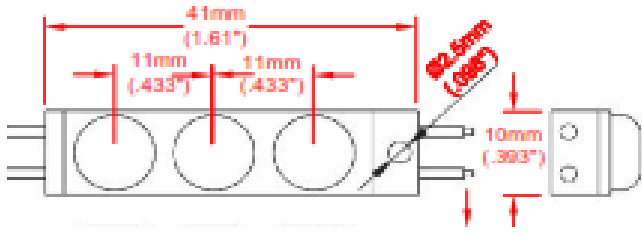
CUSTOMER Digi-Key Electronics	CUSTOMER DRAWING or PART NUMBER 289-1314-ND	REV. NO.	TODAYS DATE 8/23/2021
JKL PART NUMBER(s) ZM-4110-CW	PART DESCRIPTION 12V LED Channel	Part Family ZM	
JKL CONTACT NAME Jose Cruz	PHONE 818-896-0019	EMAIL: jcruz@jklamps.com	

REASON FOR NOTICE:
This item is obsolete and will no longer be produced.
JKL does offer a replacement as noted.
Orders can be accepted through September 30, 2021


JKL Part Number:
ZM-4110-CW -Obsolete



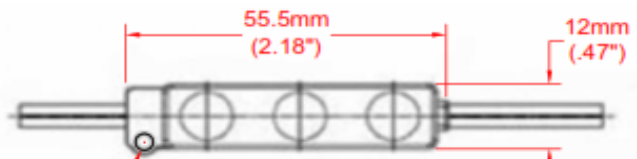
VOLTAGE: 12V DC
 CURRENT: 75mA PER MODULE
 WATTAGE: 0.9W PER MODULE
 LED VIEWING ANGLE : 160°
 WATER RESISTANCE: IP67



Recommended Replacement item:
JKL Part Number: ZM-333-CW



12V DC
 IP67
 50,000 Life Hours/5 Year Warranty
 115 lm/W High Efficacy
 Operating Temperature -20°C to +70°C
 170° Wide Beam



Reference full specification for details