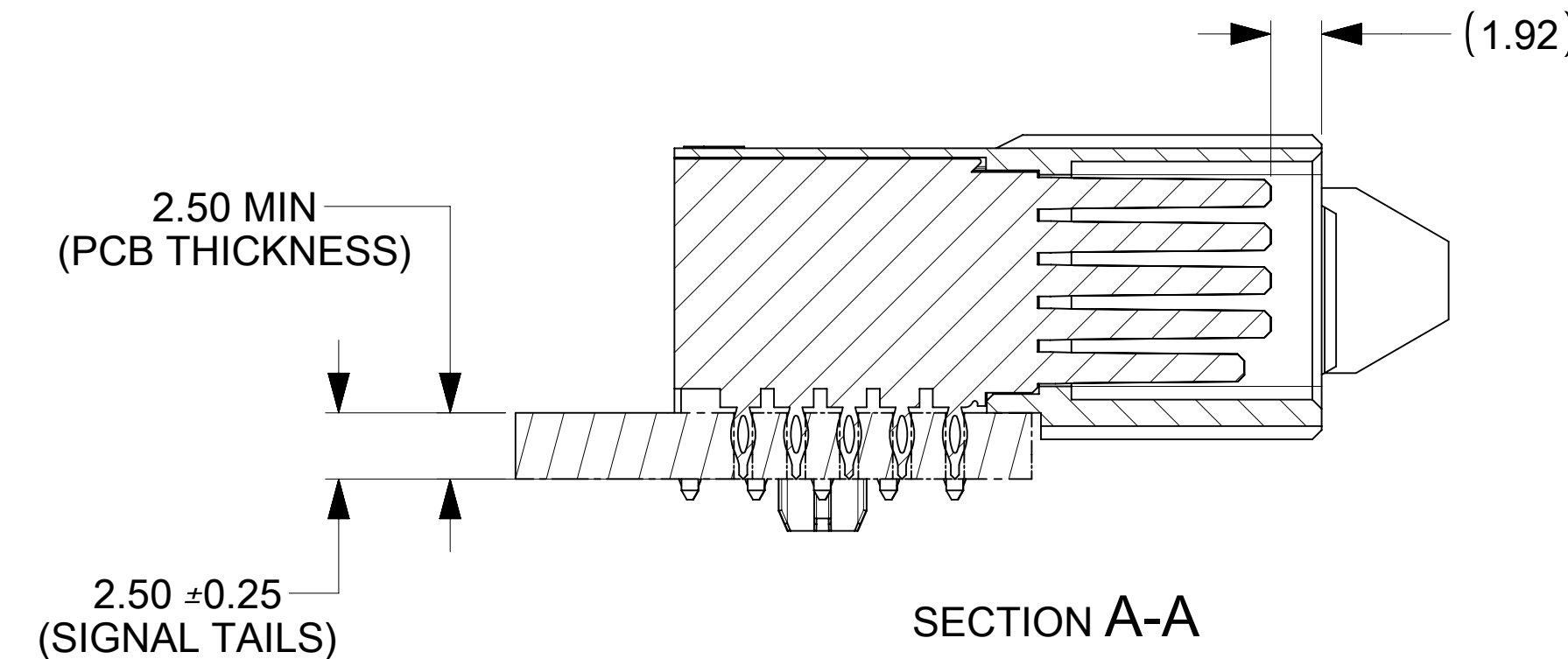
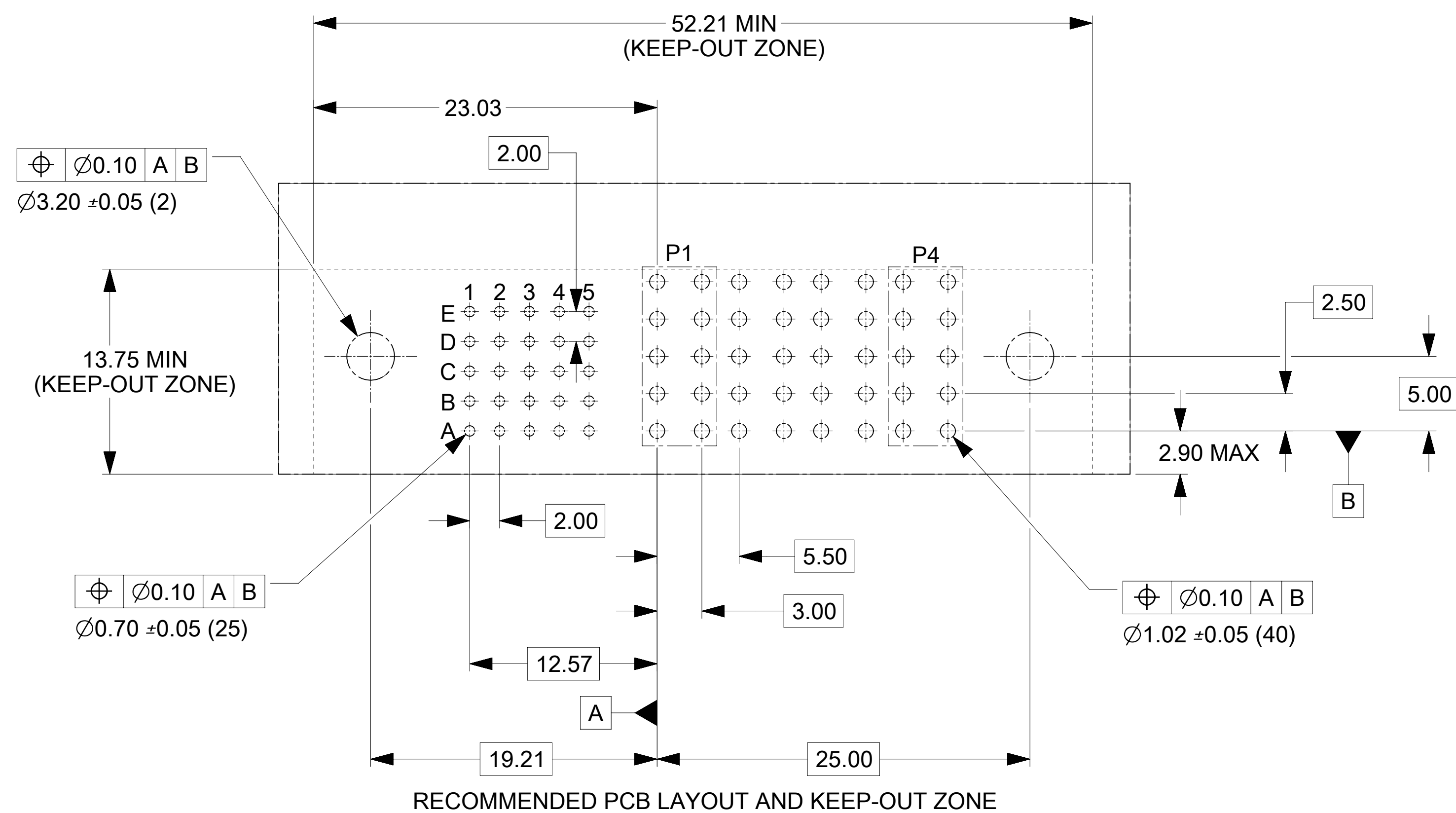


MATED PROFILE
(MATED WITH VERTICAL RECEPTACLE ASSY)



- NOTES:
- MATERIAL:
 - HOUSINGS: LCP UL94, V-0, COLOR : BLACK
 - TERMINALS: HIGH CONDUCTIVITY COPPER ALLOY
 - PLATING: 1.27 MICROMETER (50 MICROINCH) NICKEL OVERALL WITH 2.54 MICROMETER (100 MICROINCH) SELECTIVE TIN ON TAILS AND 0.762 MICROMETER (30 MICROINCH) SELECTIVE GOLD ON CONTACT AREA
 - PACKAGING: ASSEMBLIES TO BE TRAY PACKED PER PACKAGING SPEC: 464371003-PK
 - PLATED THRU HOLE SIZE, REFER TO PS-46436-100 FOR DETAILS
 - PRODUCT SPEC: PS-46436-100
 - PRODUCT TO MEET RoHS REQUIREMENTS
 - ASSEMBLY MATES TO MOLEX RECEPTACLE ASSEMBLY P/N 46562-1368
 - TAIL DESIGN: COMPLIANT PIN
 - APPLICATION SPEC: AS-46436-100.
 - POWER AND SIGNAL CONTACTS ARE LUBRICATED.
 - MOLEX LOGO TO BE LOCATED APPROXIMATELY AS SHOWN.



THIS DRAWING CONTAINS INFORMATION THAT IS PROPRIETARY TO MOLEX ELECTRONIC TECHNOLOGIES, LLC AND SHOULD NOT BE USED WITHOUT WRITTEN PERMISSION									
DIMENSION UNITS	SCALE	CURRENT REV DESC: REMASTERED IN ECTR							
mm	4:1								
GENERAL TOLERANCES (UNLESS SPECIFIED)									
ANGULAR TOL	± 0.5°								
4 PLACES	±	EC NO: 646711							
3 PLACES	±	DRWN: KSUTAR	2020/09/17						
2 PLACES	± 0.25	CHK'D: GJEEVANSURES	2020/10/08						
1 PLACE	± 0.25	APPR: HTHYAGARAJ	2020/10/09						
0 PLACES	±	INITIAL REVISION:							
DRAFT WHERE APPLICABLE MUST REMAIN WITHIN DIMENSIONS		DRWN: LKCHEW	2012/03/06						
THIRD ANGLE PROJECTION		APPR: HTHYAGARAJ	2020/10/09						
DRAWING		SERIES	MATERIAL NUMBER	CUSTOMER					
D-SIZE		46437	464371368	GENERAL MARKET					
DOCUMENT NUMBER		DOC TYPE	DOC PART	REVISION					
SD-46437-1368		PSD	001	A					
SHEET NUMBER		1 OF 1							