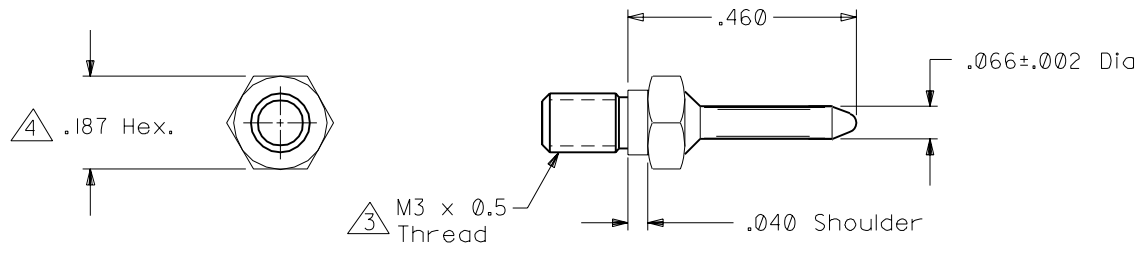
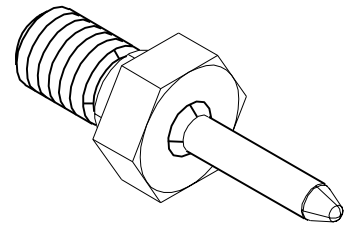
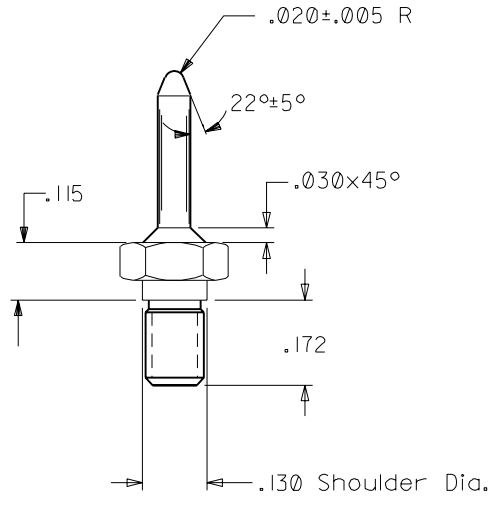


Notes:

1. Material: Heat Treated Steel.
2. Finish: Nickel Plate.
3. Maximum Assembly Torque: 5 in-lbs.
4. Socket Size: 3/16".



E	REVISED PER UDT2001-1175 SCHMIDG 01/04/26
DI	Added "Mating HRD" PER ECN U6-1418 DRS 05/13/96
D	Added -3000 ECN #U50846 DRS 04/11/95
C	Added Dims ECN #40107 DKS 2-14-94
B	Tip Rad Was .005 ECN #31700 DKS 11-12-93
A	RELEASED PER ECN# U30178 MOS 5/6/93

MFG.	SH.	REV.	LTR.	REVISIONS
------	-----	------	------	-----------

DIMENSIONS SHOWN (METRIC) INCH		▽ = 0		▼ = 0		REVISE ONLY ON CAD SYSTEM	
UNLESS OTHERWISE SPECIFIED TOLERANCES: ANGULAR = 1/2°							
		INCH		METRIC			
3 PLACE	±	.010	---				
2 PLACE	±		±				
1 PLACE	---		±				
DRAFT WHERE APPLICABLE MUST REMAIN WITHIN DIMENSIONS							
DRWG. BY	MOS	CHK'D BY	BIXLER	FILE NAME	71628-3000		
APP'D BY	BIXLER	SCALE	4: 1	DRG. NO.	SDA-71628-*****		
				MOLEX INCORPORATED	SHEET NO.	DATE	
				LISLE, ILL. 60532 U.S.A.	1 of 1	03/11/93	
				THIS DRAWING CONTAINS INFORMATION THAT IS PROPRIETARY TO MOLEX INC. AND SHOULD NOT BE USED WITHOUT WRITTEN PERMISSION.			
				DIV.	CD	SIZE	B