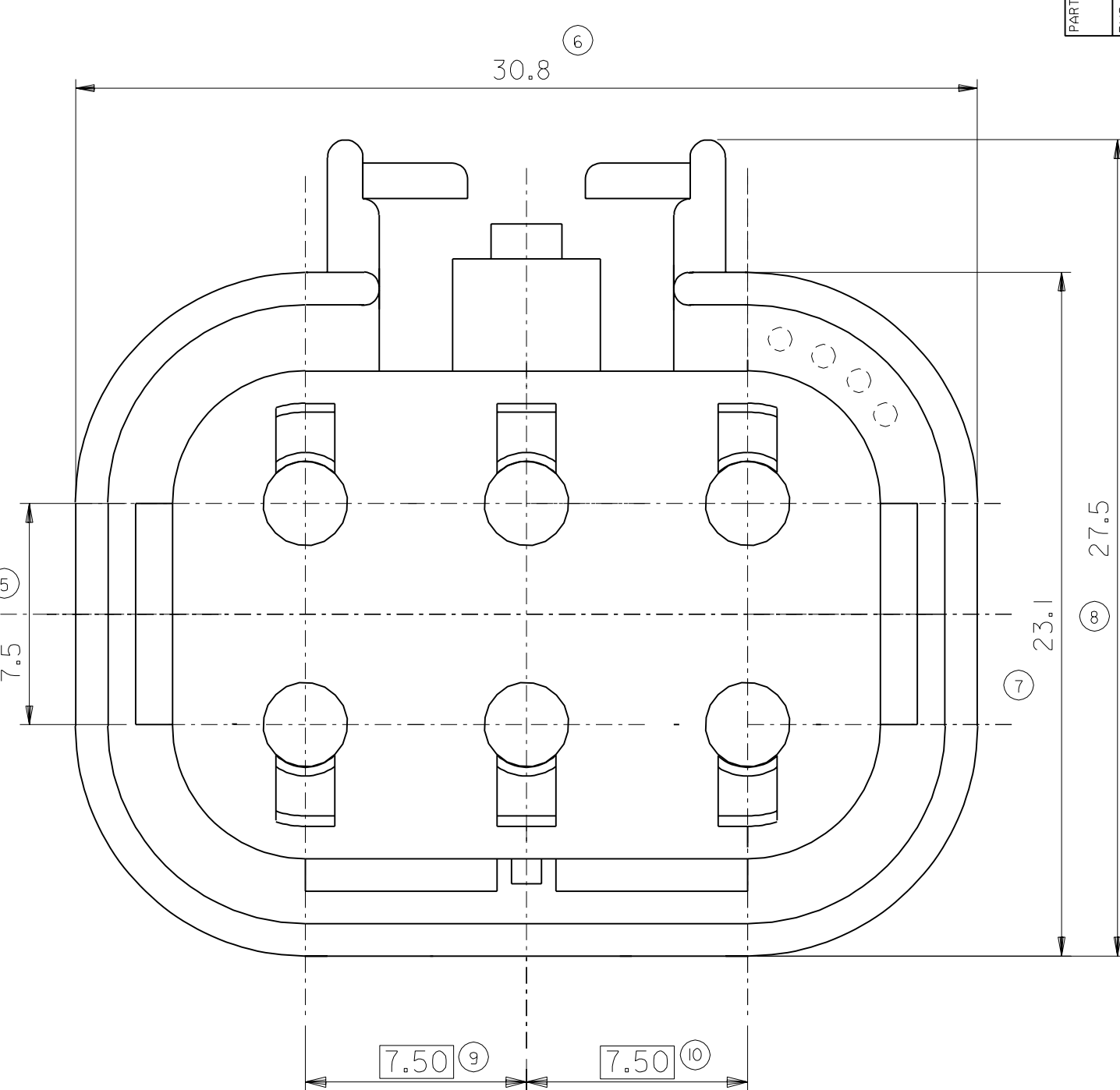
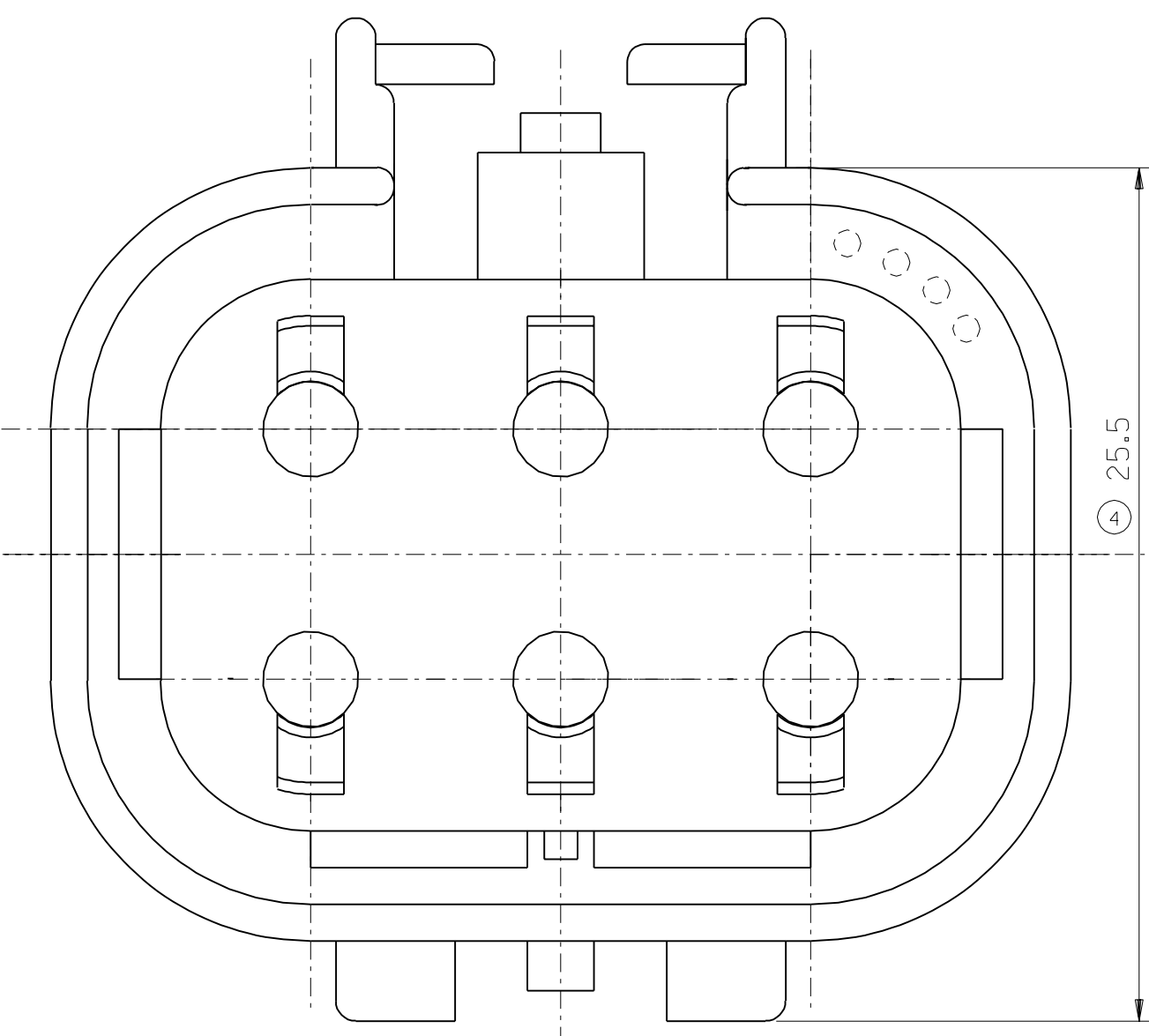
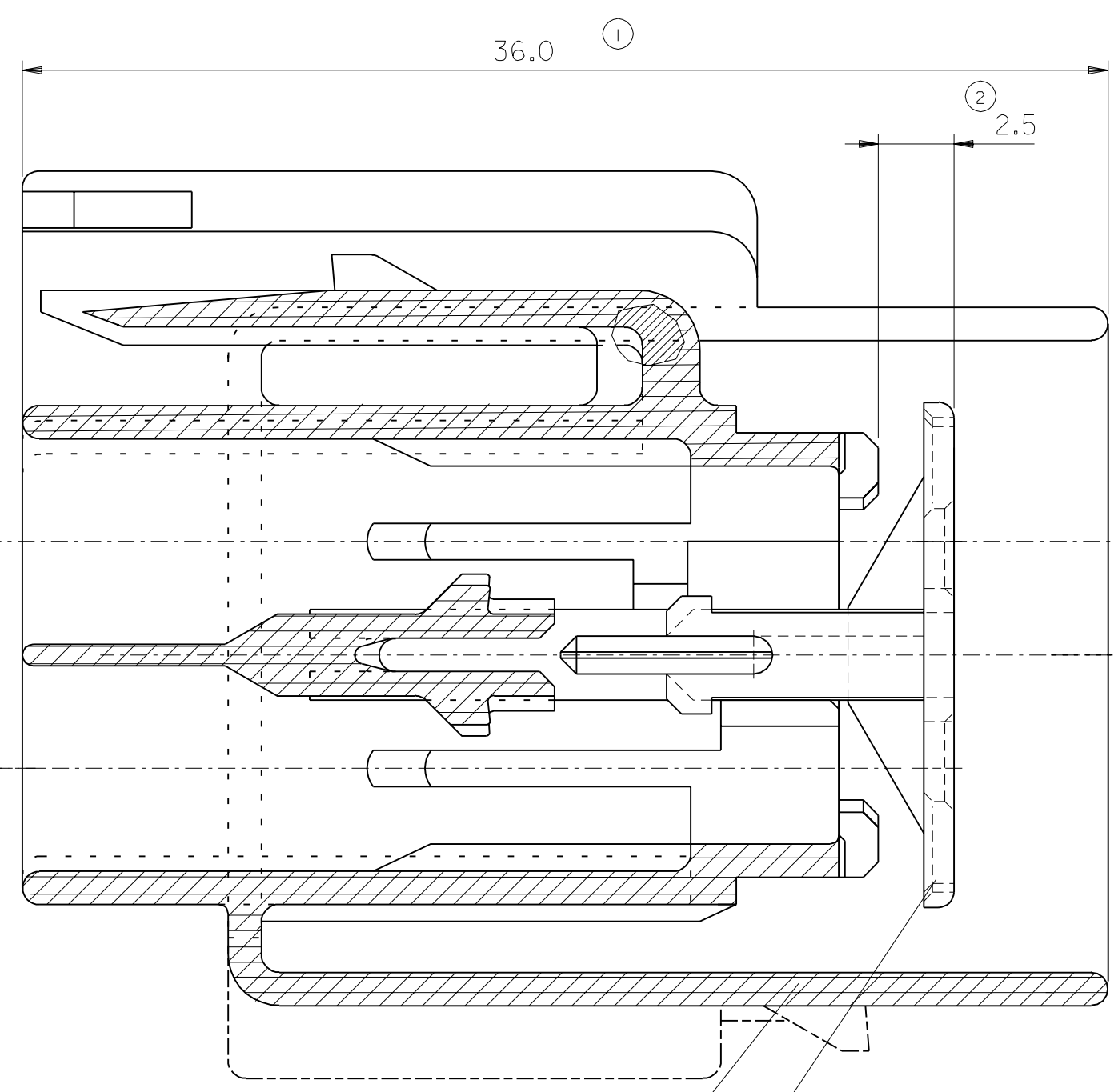
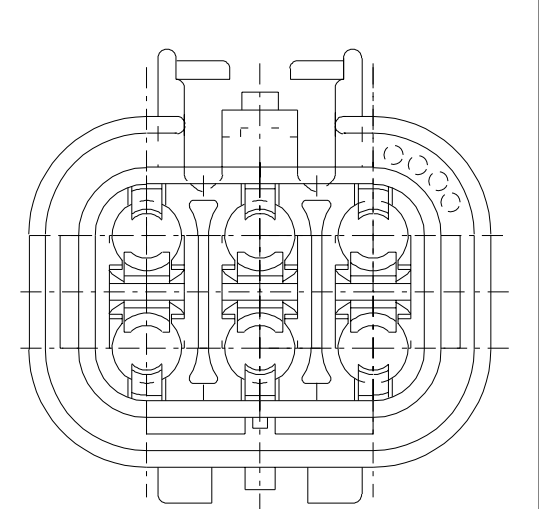


13 12 11 10 9 8 7 6 5 4 3 2 1



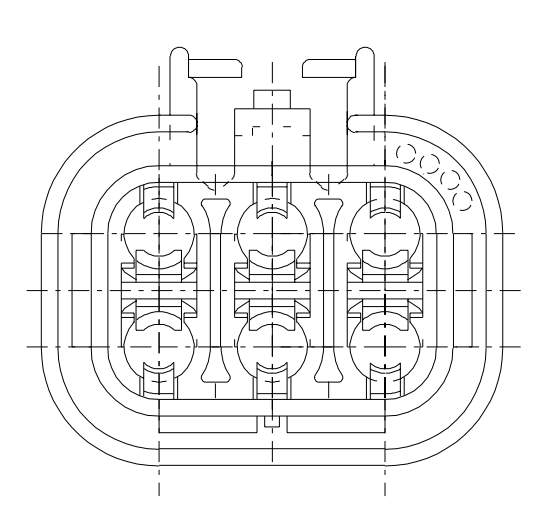
1 HOUSING
2 SPACER
1 ST STOP POSITION
(COLOR RED)

COLOR	FARBE	RAL	MOLEX-NO.
BLACK	SCHWARZ	9005	98030-0011
BROWN	BRAUN	8017	98030-0012
BLUE	BLAU	5015	98030-0013
GREEN	GRUEN	6001	98030-0014
YELLOW	GELB	1018	98030-0015
GREY	GRAU	7035	98030-0016
ORANGE	ORANGE	1007	98030-0017
NATUR	NATURAL	-	98030-0018



VERSION WITH MOUNTING - CLIP

COLOR	FARBE	RAL	MOLEX-NO.
BLACK	SCHWARZ	9005	98030-0001
BROWN	BRAUN	8017	98030-0002
BLUE	BLAU	5015	98030-0003
GREEN	GRUEN	6001	98030-0004
YELLOW	GELB	1018	98030-0005
GREY	GRAU	7035	98030-0006
ORANGE	ORANGE	1007	98030-0007
NATUR	NATURAL	-	98030-0008



VERSION WITHOUT MOUNTING - CLIP

MOLEX - CODE
XXXXX - X X X X
I-8 COLOR
0=WITHOUT CLIP
1=WITH CLIP
0=HOUSING WITH SPACER
1=HOUSING WITHOUT SPACER
BASIC PART - NO.

MATERIAL: 1 PBTP 30% GV
2 PBTP 30% GV

FOR PREVIOUS
DRAWING ISSUES
SEE "EDIS"

ECN: C-1999-3201 NME DATE: 09-Moerz-99	REVISIONS	THIRD ANGLE PROJECTION	REVISE ONLY ON CAD SYSTEM	SH.	REV.
	LTR	DIMENSIONS SHOWN (METRIC) INCH UNLESS OTHERWISE SPECIFIED TOLERANCES: ANGULAR * INCH (METRIC) 3 PLACE ± ± 2 PLACE ± ± 1 PLACE ± ± 0.20 DRAFT WHERE APPLICABLE MUST REMAIN WITHIN DIMENSIONS DESIGN DIMENSION (MM) <input checked="" type="checkbox"/> (MM) (PRIMARY) <input type="checkbox"/> IN. EQUIVALENT DIMENSION (MM) <input type="checkbox"/> (MM) (SECONDARY) <input type="checkbox"/> IN.	CAD/CAM FILENAME SDA98030 DGN THIS DRAWING CONTAINS INFORMATION THAT IS PROPRIETARY TO MOLEX INC. & SHOULD NOT BE USED WITHOUT WRITTEN PERMISSION TITLE 6-WAY HOUSING FOR FEMALE TERMINAL NON WATERPROOF 2.8-SYSTEM mox MOLEX EUROPE SHEET NO. DATE 1 / 1 19 / 02 / 87 PART NO. DWG NO. SEE TABLE SDA-98030 SIZE C		
R		DRWG BY: NME CHK'D BY: JHE APP'D BY: JHO SCALE: 5:1			

7133-1283 13 12 11 10 9 8 7 6 5 4 3 2 1