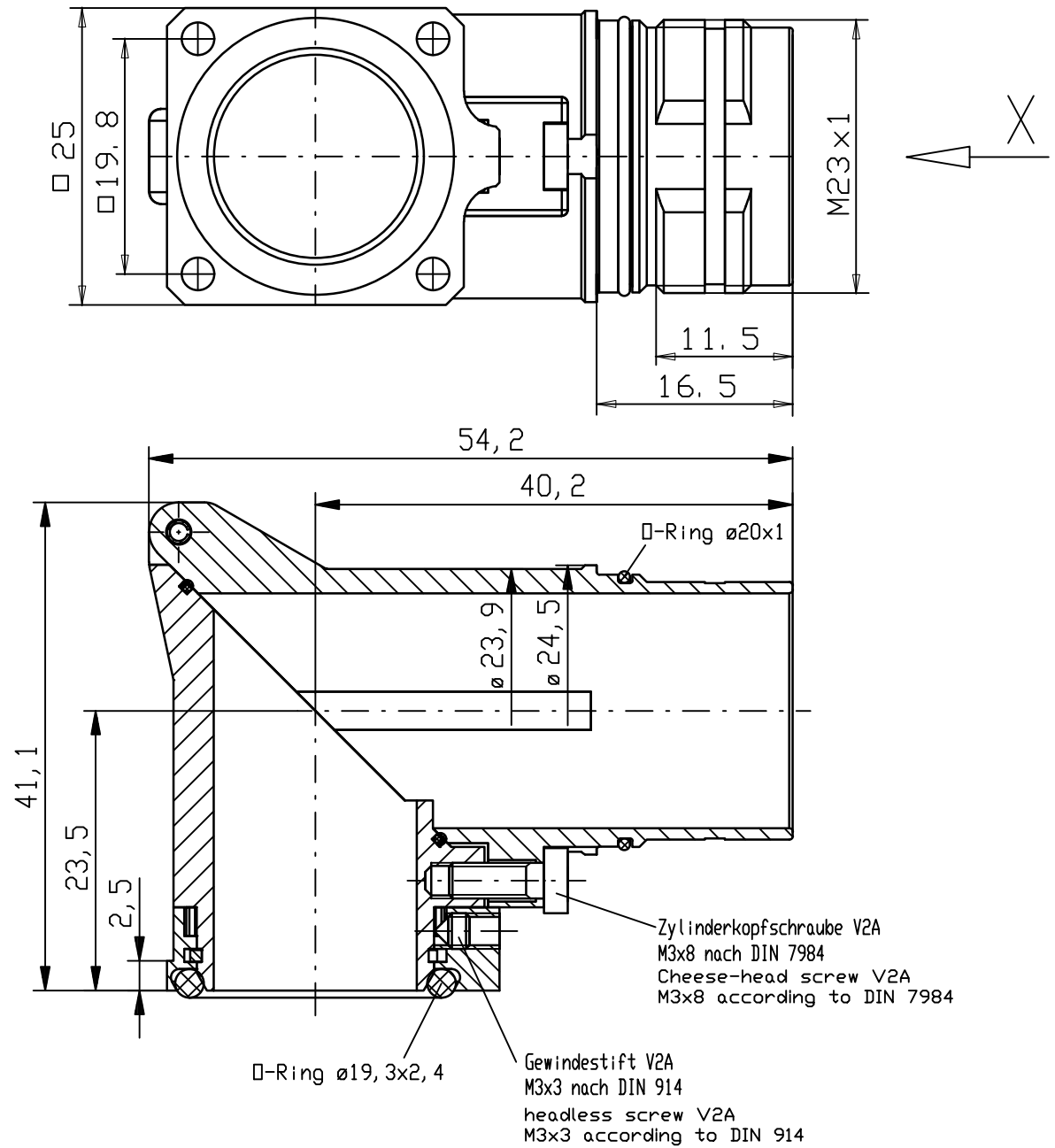
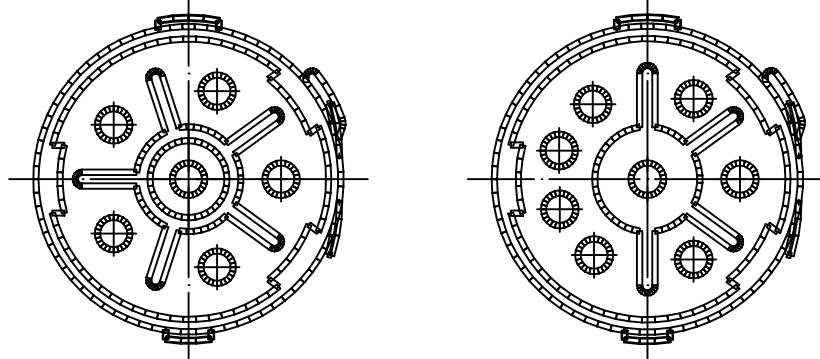


Views from "X" rotated

6-Pole
(5+1)

8-Pole



	Cable Diameter	Crimp Contacts	Without Contacts
6 Pole (5+PE)			KRP6G07-0012 1202340010
8 Pole (4+3+PE)		KRP8G07-1112 1202340011	KRP8G07-0012 1202340012
	Crimp range*	0,25-1,0mm ² /0,75-2,5mm ²	

*Crimp range only applies to "Crimp Contacts" version

Notes:

Tolerances (unless specified): DIN ISO 2768 m

FUNCTIONAL SYMBOLS $F_A=0$ $F_P=0$ $F_D=0$ DIVISIONAL SYMBOLS	THIS DRAWING CONTAINS INFORMATION THAT IS PROPRIETARY TO MOLEX ELECTRONIC TECHNOLOGIES, LLC AND SHOULD NOT BE USED WITHOUT WRITTEN PERMISSION		molex REC M23 XP MA RA FM 4 X Ø 2.7MM	
	DIMENSION UNITS MM	SCALE NTS		
	GENERAL TOLERANCES (UNLESS SPECIFIED)		INITIAL REVISION: DRWN: BBRAUCH 2008/11/19 APPR: JKOLB 2009/03/02	
	DRAFT WHERE APPLICABLE MUST REMAIN WITHIN DIMENSIONS		THIRD ANGLE PROJECTION	DRAWING A3-SIZE
DOCUMENT STATUS P1 RELEASE DATE 2021/06/02 05:42:48		MATERIAL NUMBER CUSTOMER SHEET NUMBER SEE TABLE GENERAL MARKET 1 OF 1		DOCUMENT NUMBER DOC TYPE DOC PART REVISION SD-120234-003 PSD 001 A