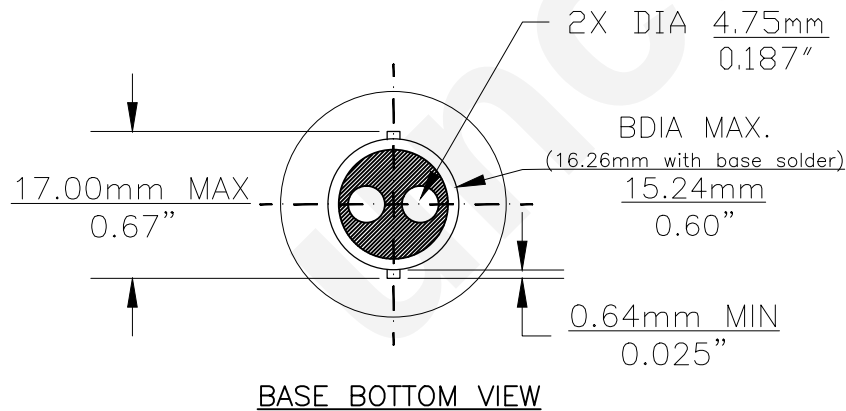
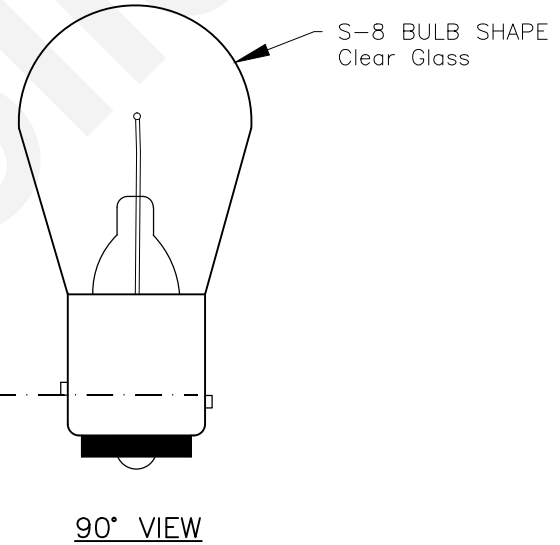
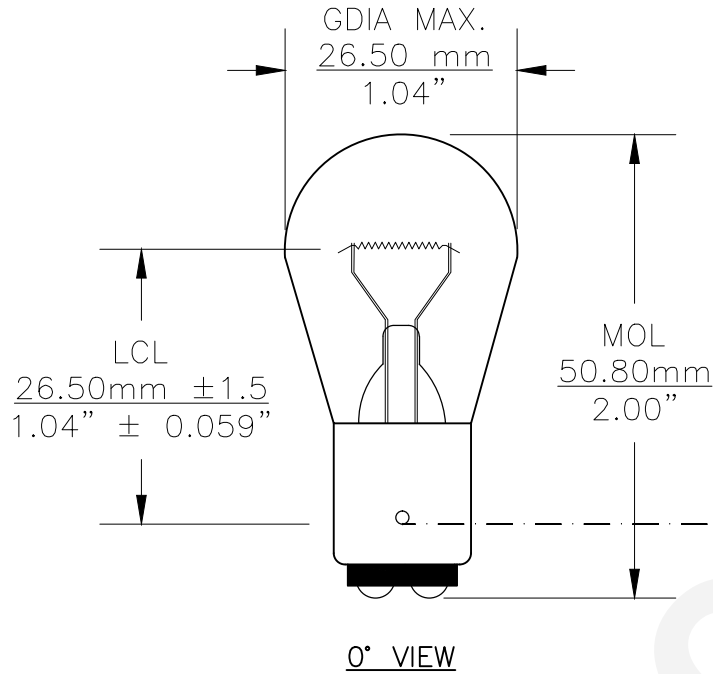




Since 1959

PART NO.	BASE TYPE	DESIGN VOLTS	DESIGN AMPS	MSCD	FILAMENT TYPE	AVERAGE LIFE HOURS	REVISIONS			
							REV #	DESCRIPTION	DATE	APPROVED
1606	D.C. INDEX BAY15d	6.4V	2.69±5%	21±10%	C-6	200	1	REDRAWN FOR ADDITIONAL VIEW	10/22/2014	R.M.



Note: Made according to SAE specifications

UNLESS OTHERWISE SPECIFIED: DIMENSIONS ARE IN INCHES TOLERANCES		CEC INDUSTRIES LTD			
DECIMALS	ANGULAR	599 BOND STREET		LINCOLNSHIRE, IL 60069	
.XX ± .05	± 0.5°	TITLE LIGHT BULB NO. 1606			
.XXX ± .010		SIZE A	FSCM NO.	DWG NO. 1606	REV 1
FRACTIONAL	±1/64	SCALE	PLOT SCALE	SHEET 1 OF 1	
DRAWN DENNIS CLARK		DATE 02/20/2006		MATERIAL	
CHECKED		FILE 1606.pdf		DRAWING NOT TO SCALE	