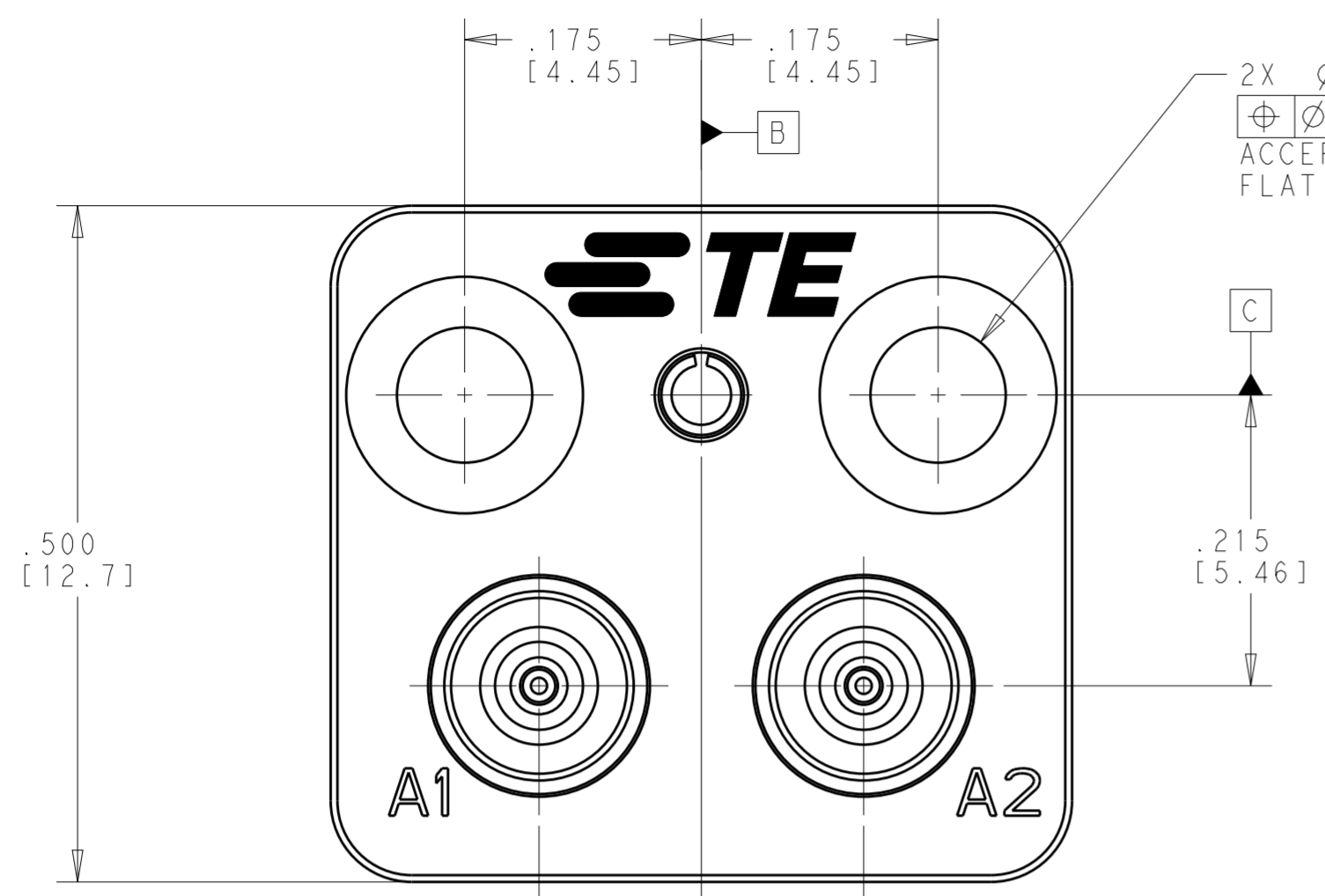
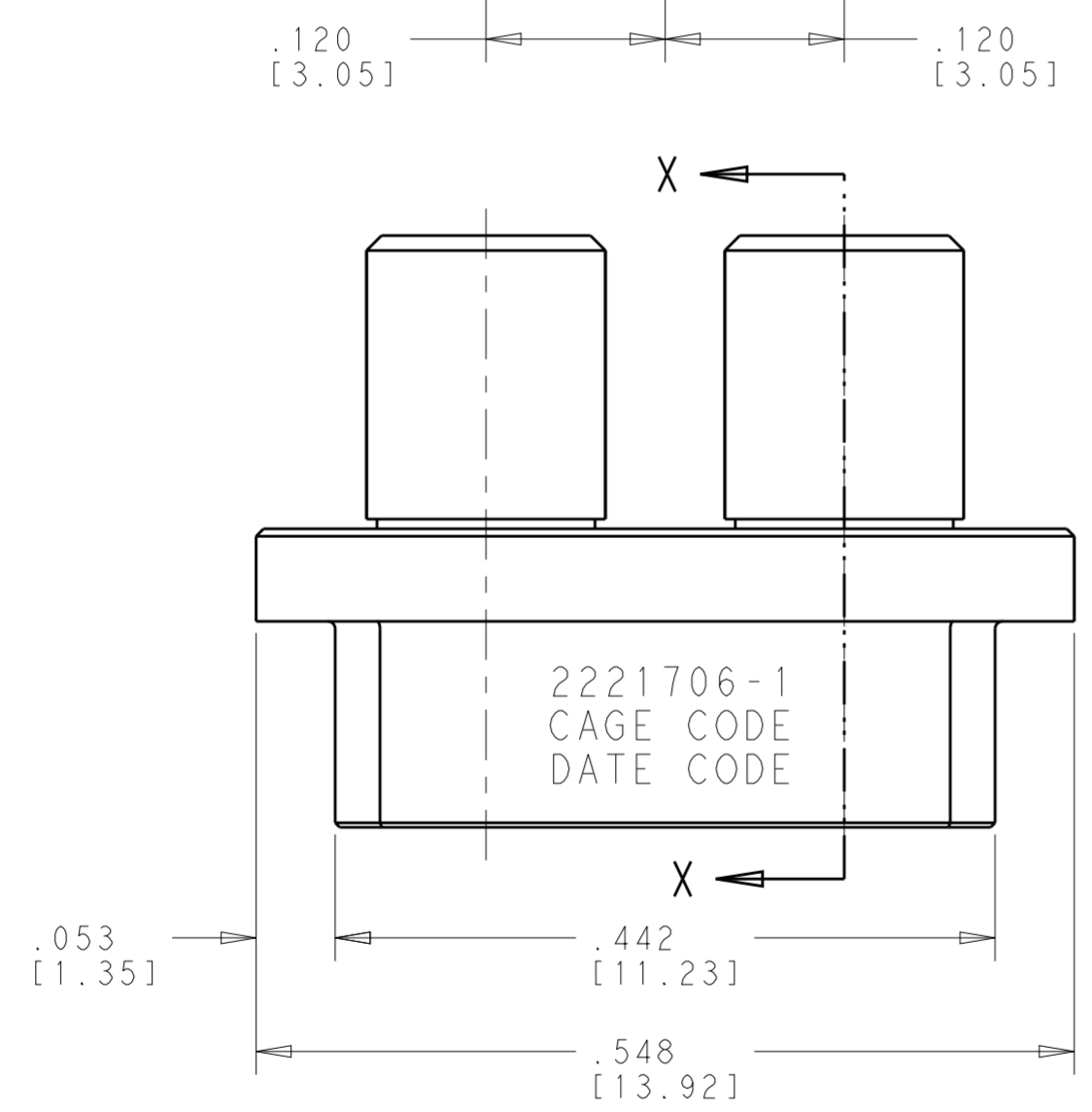
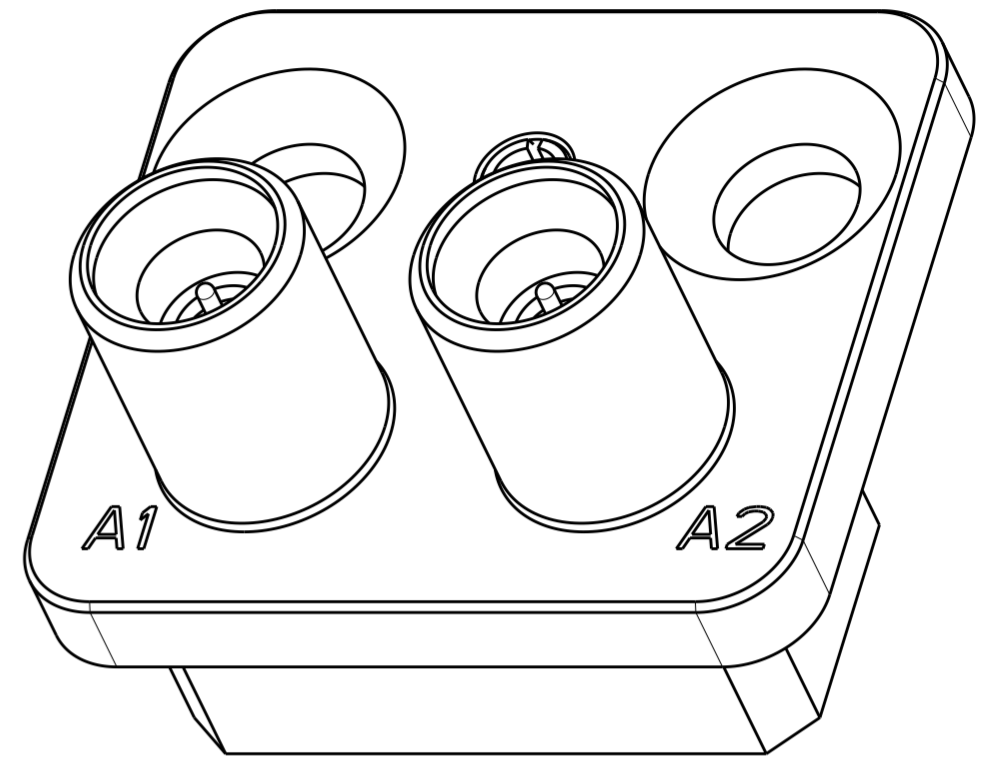


THIS DRAWING IS UNPUBLISHED. RELEASED FOR PUBLICATION 20
 © COPYRIGHT 20 BY - ALL RIGHTS RESERVED.

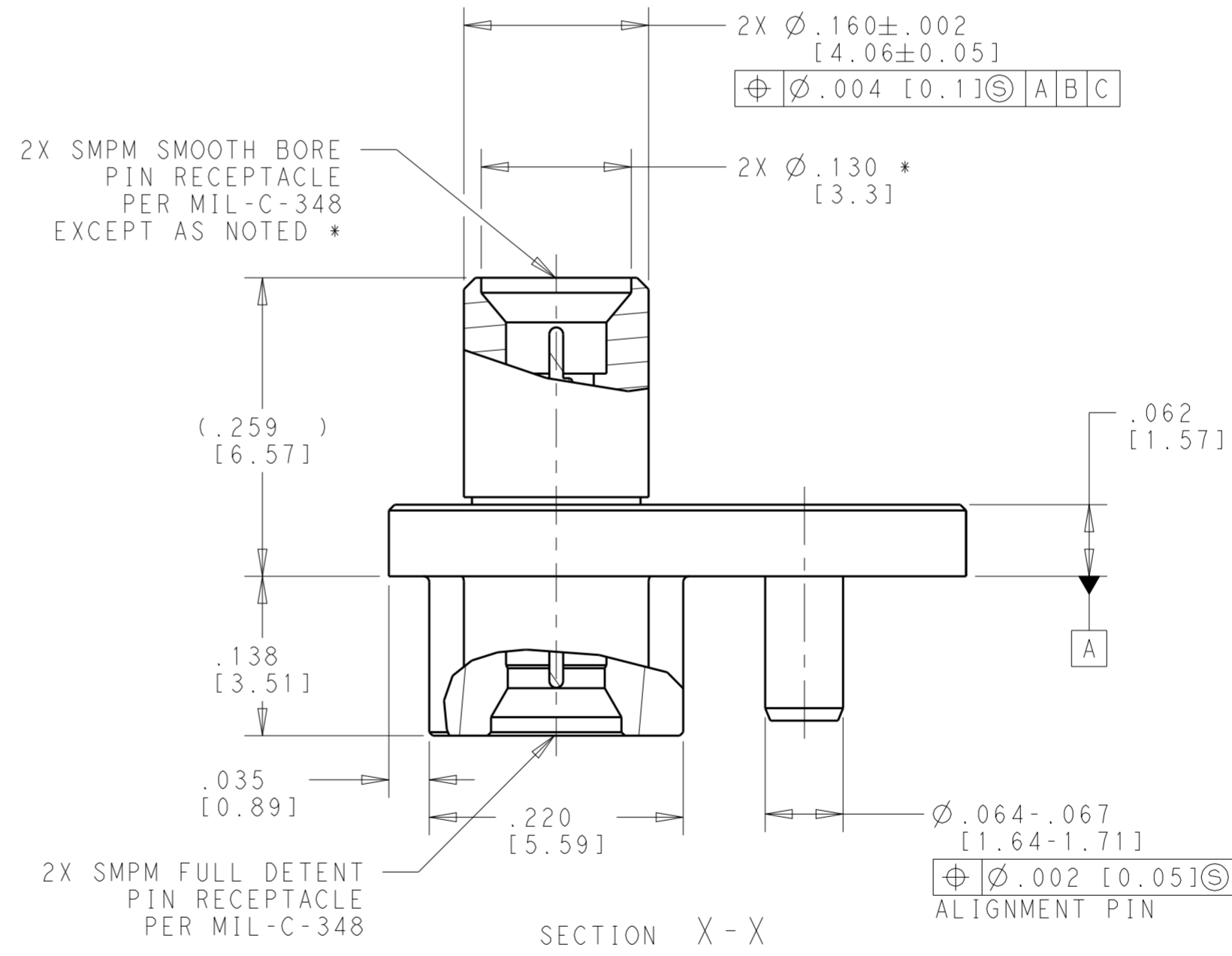
REVISIONS				
P	LTR	DESCRIPTION	DATE	APVD
A		RELEASED PER ECO 15-012005	8-18-15	CT WM



2X Ø.100 MOUNTING HOLES
 ⊕ Ø.004 [0.1] ⊙ A B C
 ACCEPT 2-56 UNC, 100° C SINK
 FLAT HEAD SCREWS



2X SMPM SMOOTH BORE
 PIN RECEPTACLE
 PER MIL-C-348
 EXCEPT AS NOTED *



2X SMPM FULL DETENT
 PIN RECEPTACLE
 PER MIL-C-348

⊕ Ø.002 [0.05] ⊙ A B C
 ALIGNMENT PIN

COMPONENT	MATERIAL	FINISH
RF MODULE BODY	STAINLESS STEEL, TYPE 303 PER UNS S 30300	PASSIVATED PER, AMS QQ-P-35
SPRING PIN (ALIGNMENT)	WORK HARDENED NICKEL STAINLESS STEEL	PASSIVATED PER, AMS QQ-P-35
SMPM SMOOTH BORE & CONTACTS	BERYLLIUM COPPER, ALLOY C17300, PER ASTM B196	GOLD PLATE OVER NICKEL
INSULATORS	POLYTETRAFLUOROETHYLENE (PTFE)	N/A

2221706-1
 PART
 NUMBER

THIS DRAWING IS A CONTROLLED DOCUMENT.

DIMENSIONS: INCHES [mm]	TOLERANCES UNLESS OTHERWISE SPECIFIED:	DWN S. T. Morley 27 JAN 2015	
	0 PLC ±.1	CHK S. T. Morley 27 JAN 2015	
	1 PLC ±.01	APVD S. T. Morley 27 JAN 2015	
	2 PLC ±.001	PRODUCT SPEC TBD	
MATERIAL SEE TABLE	FINISH SEE TABLE	3 PLC ±.0005	APPLICATION SPEC TBD
		4 ANGLES ±.0005	WEIGHT 4.24 g

Customer Drawing SCALE 8:1 SHEET 1 OF 1 REV A