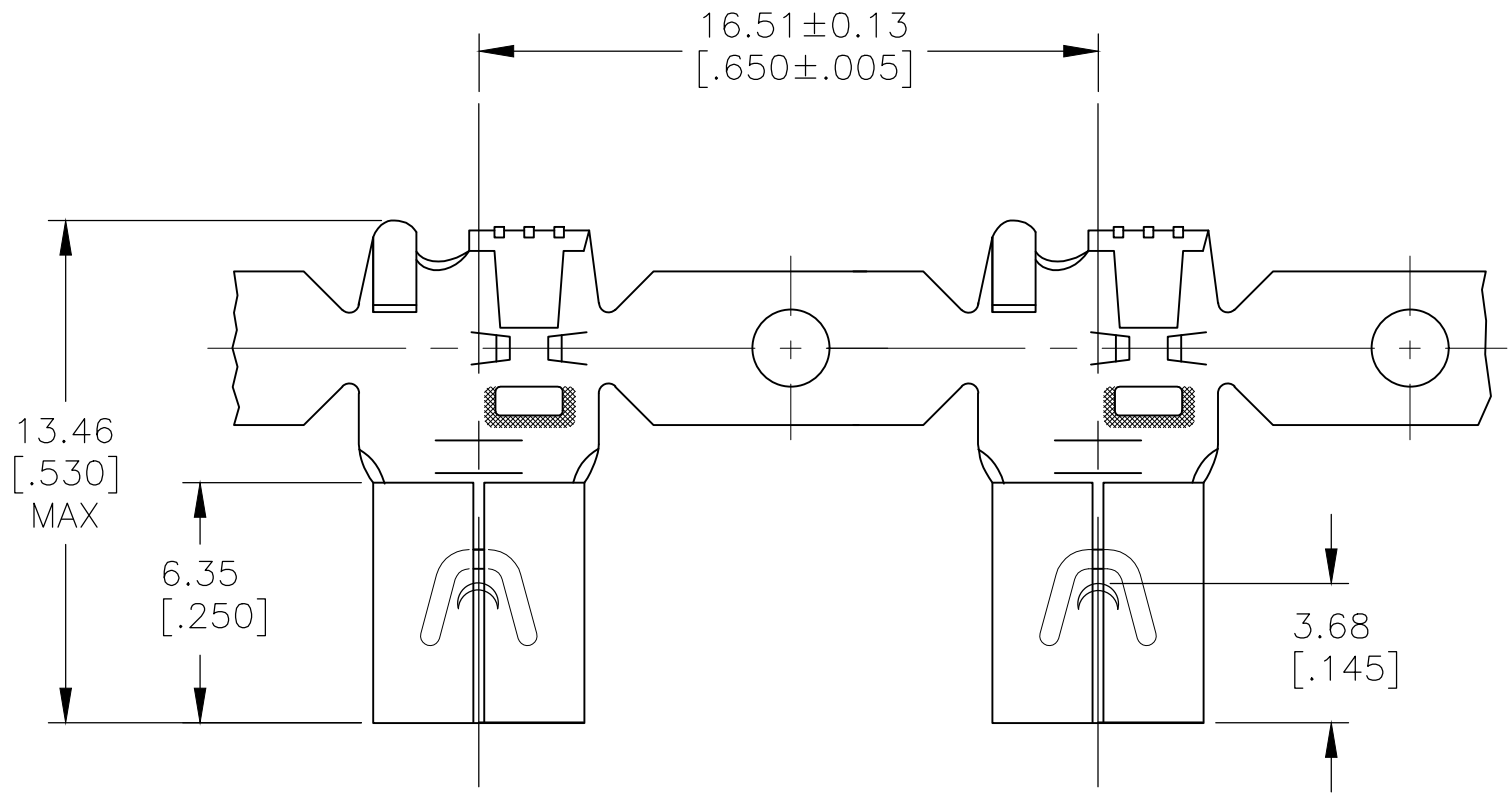
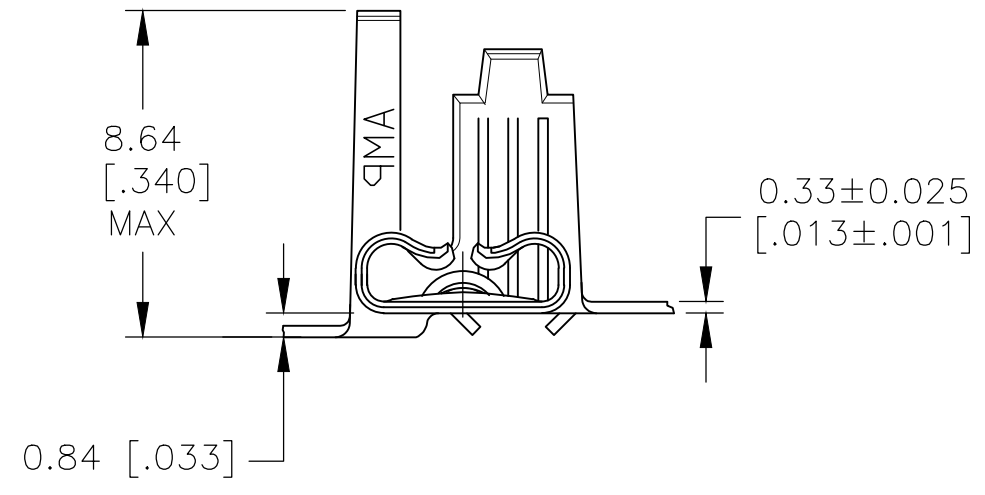
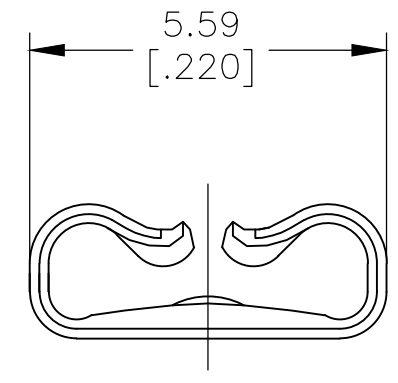


THIS DRAWING IS UNPUBLISHED. RELEASED FOR PUBLICATION
 © COPYRIGHT - By - ALL RIGHTS RESERVED.

REVISIONS				
P	LTR	DESCRIPTION	DATE	APVD
	A5	REVISED PER ECR-18-004893	02MAY2018	BDA DH



- 1 CONTINUOUS STRIP ON REELS
- 2 WIRE SIZE #20-#16 AWG
- 3 INSULATION RANGE 2.79-4.32 [.110-.170] DIA
- 4 MATING TAB THK IS 0.81±0.025 [.032±.001]
- 5 UL APPROVAL FOR AWG 20-16
- 6 UL APPROVAL PENDING FOR AWG 20-16
- 7 OBSOLETE/SUPERSEDED BY PN 2238200-3



7	6	TIN	BRASS	2238041-2
5		NICKEL PLATE	T2 STEEL	2238041-1
		FINISH	MATERIAL	PART NO.

THIS DRAWING IS A CONTROLLED DOCUMENT.		DWN JR RUTH 29JUL2013	STE TE Connectivity		
DIMENSIONS: MM [INCHES]		CHK P DESANTIS 29JUL13			
TOLERANCES UNLESS OTHERWISE SPECIFIED:		APVD P DESANTIS 29JUL13	NAME RECEPTACLE, FASTON, FLAG, 4.75 [.187] SERIES		
0 PLC ± -		PRODUCT SPEC	SIZE		
1 PLC ± -		APPLICATION SPEC	CAGE CODE		
2 PLC ± 0.25 [.010]		WEIGHT	DRAWING NO		
3 PLC ± -		CUSTOMER DRAWING	RESTRICTED TO		
4 PLC ± -			A3 00779 C-2238041		
ANGLES ± -		SCALE 5:1			
MATERIAL SEE TABLE		SHEET 1 OF 1			
FINISH SEE TABLE		REV A5			