

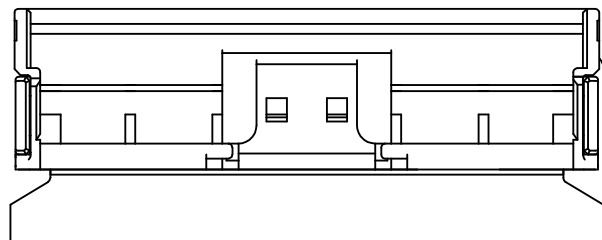
注記 1. 使用材料
NOTE MATERIAL

- ハウジング HOUSING : 液晶ポリマー (LCP), ガラス充填, UL94V-0 色: 黒色
LIQUID CRYSTAL POLYMER (LCP), GLASS FILLED, UL94V-0 COLOR: BLACK
- ターミナル TERMINAL : 銅合金 (t=0.18)
ニッケル下地 錫ビスマスメッキ
COPPER ALLOY (t=0.18)
Sn-Bi PLATING OVER NICKEL PLATING.
- 金具 FITTING NAIL : 銅合金 (t=0.25)
ニッケル下地 錫メッキ
COPPER ALLOY (t=0.25)
TIN OVER NICKEL PLATING.

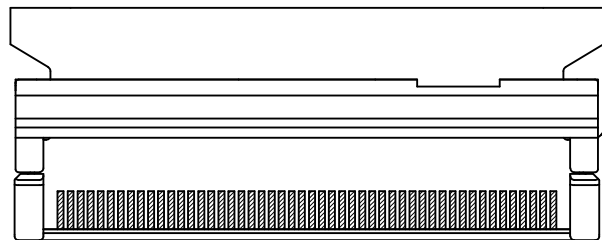
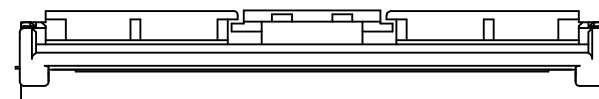
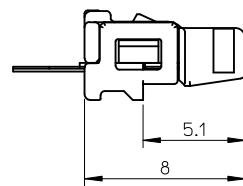
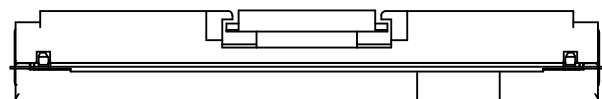
- △ N=偶数に通用 (N:極数)
APPLY FOR N-EVEN(CIRCUIT)
- △ 3 パターン剥離止め用金具
FITTING NAIL FOR PREVENTION OF PEELING OF P.C.B PATTERN.
- △ 適合ジャケット: 501783-**-09
製品詳細寸法はSD-501783-001を参照下さい。
APPLICABLE JACKET: 501783-**-09.RE DETAILED DIMENSION.SEE SD-501783-001.
- △ 5 適合ジャケットカバー: 501784-**-09
製品詳細寸法はSD-501784-001を参照下さい。
APPLICABLE JACKET: 501784-**-09.RE DETAILED DIMENSION.SEE SD-501784-001.

| | | | | | | |
|------|------|------|------|------|--------------|----|
| 27.2 | 29.1 | 29.8 | 24.5 | 33.1 | 501864-5021 | 50 |
| 22.2 | 24.1 | 24.8 | 19.5 | 28.1 | 501864-4021 | 40 |
| E | D | C | B | A | MATERIAL NO. | 極数 |

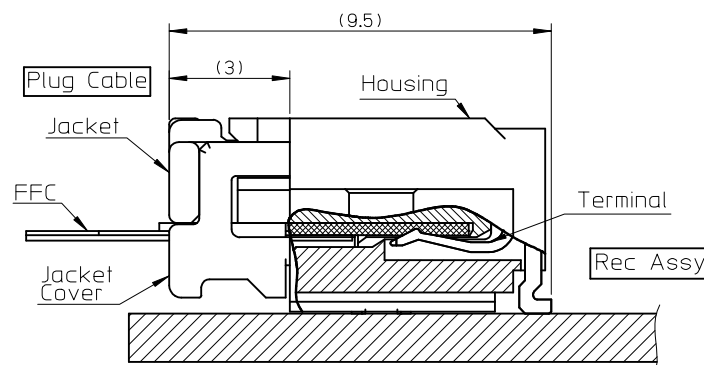
| | | | | | | | | | |
|---|-------------|---------------------------------------|--|--|------------------|---|------------------------|------------------------|--|
| REVISED EC NO: J2013-0731 DRWN:KNAGUMO 2012/08/02 CHKD:K.TAKAHASHI 2012/08/03 APPR:KMORIKAWA 2013/01/07 | DESCRIPTION | GENERAL TOLERANCES (UNLESS SPECIFIED) | | DIMENSION STYLE MM ONLY | | SCALE 4:1 | DESIGN UNITS METRIC | THIRD ANGLE PROJECTION | |
| | | 10 UNDER | ±0.2 | DRAWN BY H.IIJIMA | DATE 06/01/13 | TITLE 0.5 FFC TO BOARD CONN REC. HSG ASSY(RA) | | | |
| | | 10 OVER 30 UNDER | ±0.25 | CHECKED BY K.TAKAHASHI | DATE 06/01/13 | | | | |
| | | 30 OVER | ±0.3 | APPROVED BY H.HIRATA | DATE 06/01/13 | | | | |
| A | REV | ANGULAR | ±1 ° | MATERIAL NO. 501864-**-21 | | DOCUMENT NO. SD-501864-004 | | SHEET NO. 1 OF 2 | |
| | | | DRAFT WHERE APPLICABLE MUST REMAIN WITHIN DIMENSIONS | THIS DRAWING CONTAINS INFORMATION THAT IS PROPRIETARY TO MOLEX INCORPORATED AND SHOULD NOT BE USED WITHOUT WRITTEN PERMISSION | | | | | |



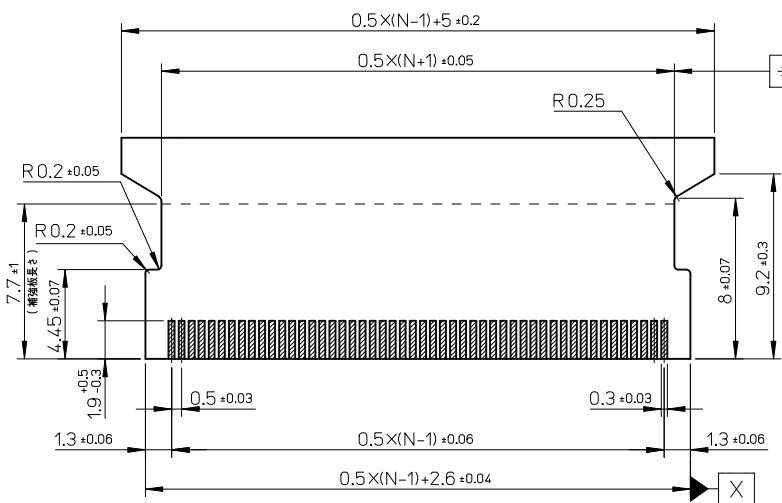
△ ジャケット
JACKET



△ ジャケットカバー
JACKET COVER



嵌合断面図



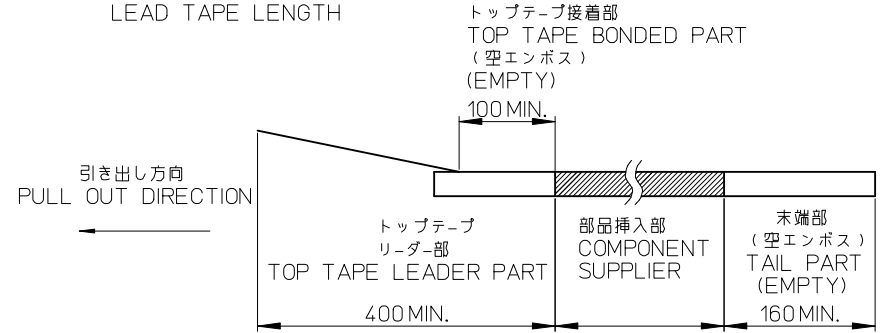
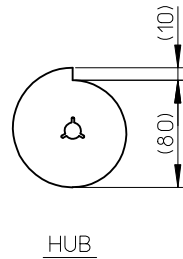
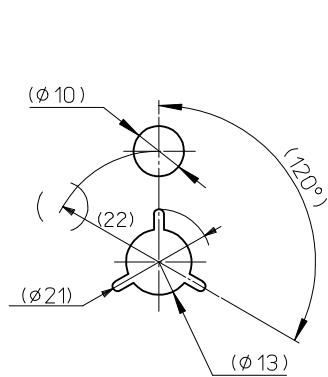
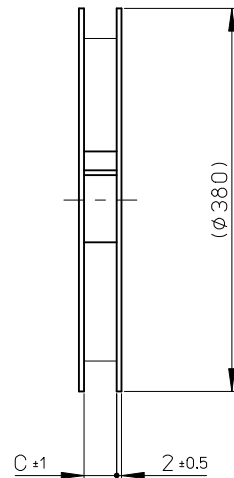
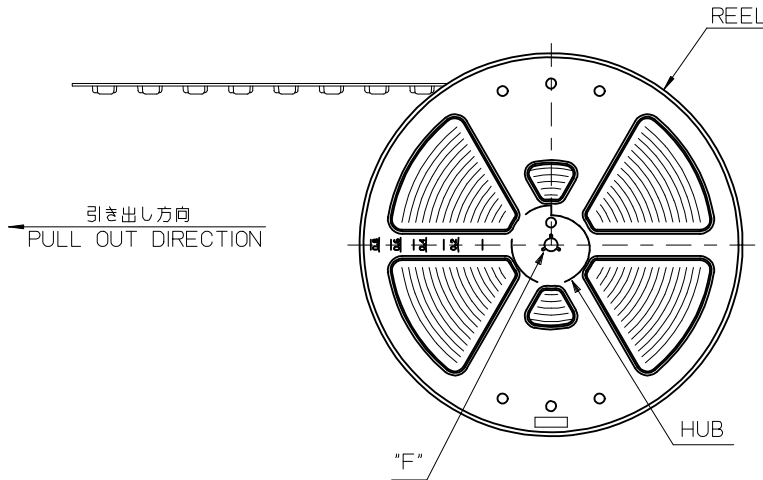
コネクタ接点部

適合FFC寸法
APPLICABLE FFC
RECOMMENDED DIMENSION
(仕上がり厚さ: 接点部 0.3 ± 0.03)

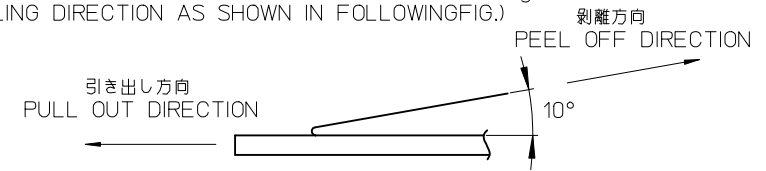
| | | | | | | |
|---|---------------------------------------|-----------------------------|---|---------------------|---|------------------------|
| SEE SHEET 1 OF 2 EC NO: J2013-0731 DRAWN: DR/MNKAGUMO 2012/08/02 CHKD: K.TAKAHASHI 2012/08/03 APPR: KMORI KAWA 2013/01/07 | GENERAL TOLERANCES (UNLESS SPECIFIED) | | DIMENSION STYLE MM ONLY | SCALE 4:1 | DESIGN UNITS METRIC | THIRD ANGLE PROJECTION |
| | 10 UNDER | ± 0.2 | DRAWN BY H. IJIMA | DATE 06/01/13 | TITLE 0.5 FFC TO BOARD CONN REC. HSG ASSY(RA) | |
| | 10 OVER 30 UNDER | ± 0.25 | CHECKED BY K. TAKAHASHI | DATE 06/01/13 | | |
| | 30 OVER | ± 0.3 | APPROVED BY H. HIRATA | DATE 06/01/13 | | |
| ANGULAR $\pm 1^\circ$ | | MATERIAL NO. 501864-**21 | DOCUMENT NO. SD-501864-004 | SHEET NO. 2 OF 2 | | |
| DRAFT WHERE APPLICABLE MUST REMAIN WITHIN DIMENSIONS | | SIZE A3 | THIS DRAWING CONTAINS INFORMATION THAT IS PROPRIETARY TO MOLEX INCORPORATED AND SHOULD NOT BE USED WITHOUT WRITTEN PERMISSION | | | |

NOTES

- 極包数量： 900 個/リール
NUMBER OF CONNECTORS:900 PCS/REEL
- リードテープ長さ
LEAD TAPE LENGTH



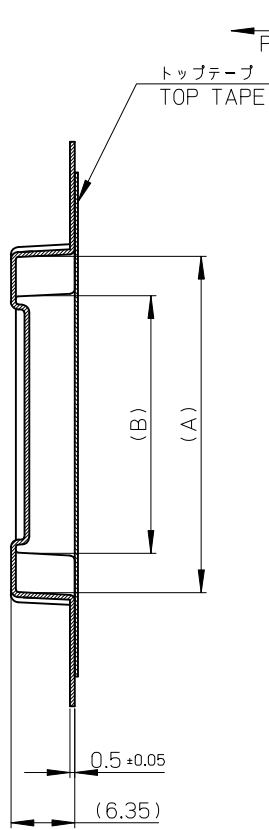
- トップテープの剥離強度： 0.1~1.27N(10~130gf)
(剥離方向は下図参照)
剥離速度： 300mm/MIN. (参考)
PEEL-OFF FORCE OF TOP TAPE : 0.1~1.27N(10~130gf)
(PEELING DIRECTION AS SHOWN IN FOLLOWING FIG.)



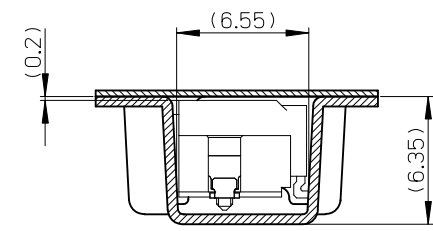
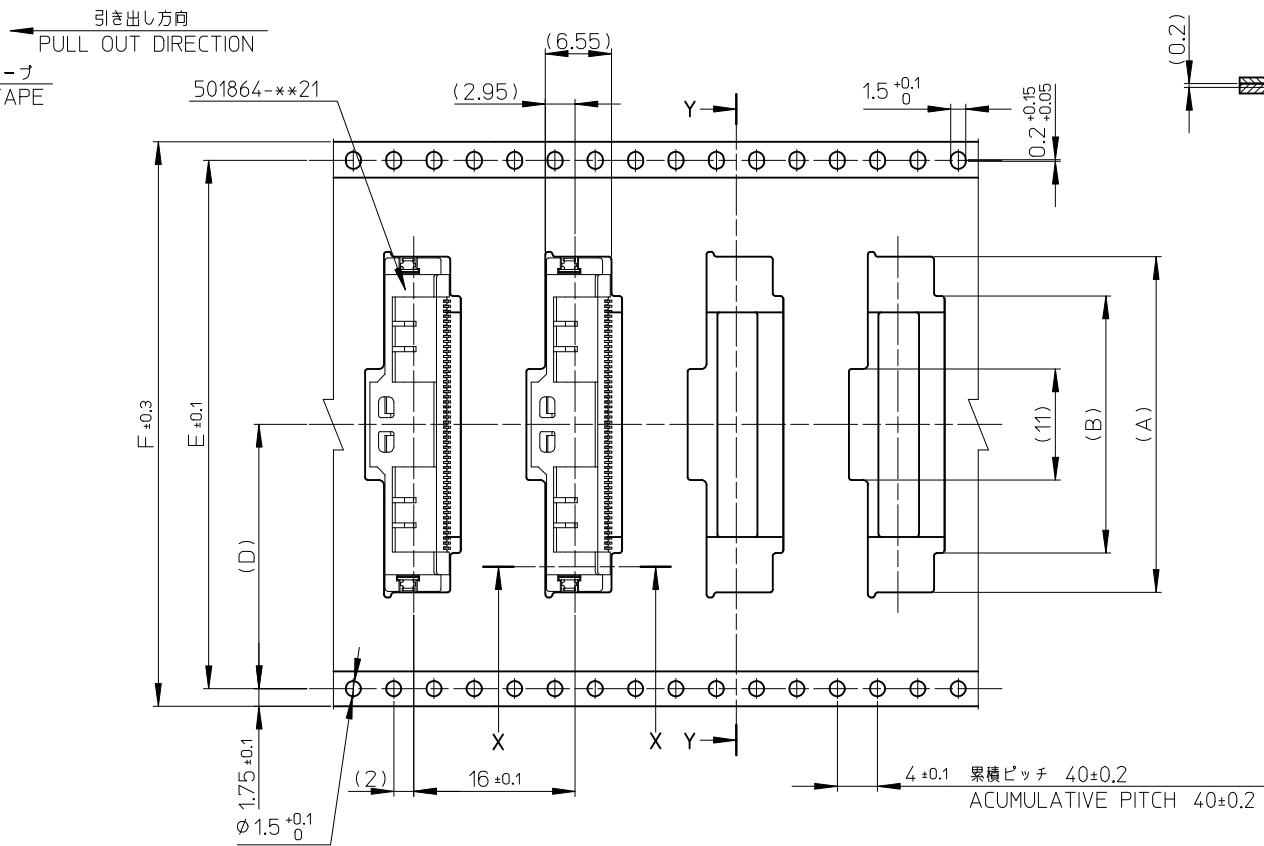
- 製品詳細寸法については図面 SD-501864-004を参照下さい。
RE DETAILED DIMENSION, SEE SD-501864-004.
- 材料(MATERIAL)
キャリアテープ(CARRIER TAPE) : ポリスチレン(POLYSTYRENE)
トップテープ(TOP TAPE) : PET, PE, PE
リール(REEL) : ポリスチレン(POLYSTYRENE)

501864-**80 MODEL NO.

| | | | | | | | | | | |
|---|--------------------|--|-------|-----------------------------|------------------|---|------------------------|------------------------|--|--|
| REVISED EC NO: J2013-0731 2012/08/02 DRWN:KAGUMO 2012/08/03 CHKD:KAKAHASHI 2013/01/07 APPR:KMORIKAWA | DESCRIPTION REV | GENERAL TOLERANCES (UNLESS SPECIFIED) | | DIMENSION STYLE MM ONLY | | SCALE --- | DESIGN UNITS METRIC | THIRD ANGLE PROJECTION | | |
| | | 10 UNDER | ±0.2 | DRAWN BY H. IJIMA | DATE 06/01/17 | TITLE EMBSTP PKG FOR 0.5 FFC TO BOARD CONN RA TYPE | | | | |
| | | 10 OVER 30 UNDER | ±0.25 | CHECKED BY K. TAKAHASHI | DATE 06/01/17 | | | | | |
| | | 30 OVER | ±0.3 | APPROVED BY H. HIRATA | DATE 06/01/17 | | | | | |
| ANGULAR ±1 ° | | DRAFT WHERE APPLICABLE MUST REMAIN WITHIN DIMENSIONS | | MATERIAL NO. 501864-**80 | | DOCUMENT NO. SD-501864-005 | | SHEET NO. 1 OF 2 | | |
| SIZE A3 | | THIS DRAWING CONTAINS INFORMATION THAT IS PROPRIETARY TO MOLEX INCORPORATED AND SHOULD NOT BE USED WITHOUT WRITTEN PERMISSION | | | | | | | | |



SECT. Y-Y



SECT. X-X

56mm幅キャリアテープ
56mm WIDTH CARRIER TAPE

| | | | | | | | | | |
|--------------------------------|------|------|------|------|------|------|-------------|----------------------|-----------|
| 56 | 56.0 | 52.4 | 26.2 | 57.4 | 25.5 | 33.3 | 501864-5080 | 50 | |
| 44 | 44.0 | 40.4 | 20.2 | 45.4 | 20.5 | 28.3 | 501864-4080 | 40 | |
| キャリアテープ幅 CARRIER TAPE WIDTH | | F | E | D | C | B | A | 製品番号 MATERIAL NO. | 極数 CKT |

| | | | | | | | | |
|--|---------------------------------------|-----------------------------|--|-------------------------------|---|------------------------|------------------------|--|
| SEE SHEET 1 OF 2 EC NO: J2013-0731 DRWN:KNAGUMO 2012/08/02 CHKD:KAKAHASHI 2012/08/03 APPR:KMORIKAWA 2013/01/07 | GENERAL TOLERANCES (UNLESS SPECIFIED) | | DIMENSION STYLE MM ONLY | | SCALE --- | DESIGN UNITS METRIC | THIRD ANGLE PROJECTION | |
| | 10 UNDER | ± 0.2 | DRAWN BY H. IJIMA | DATE 06/01/17 | TITLE EMBSTP PKG FOR 0.5 FFC TO BOARD CONN RA TYPE | | | |
| | 10 OVER 30 UNDER | ± 0.25 | CHECKED BY K. TAKAHASHI | DATE 06/01/17 | | | | |
| | 30 OVER | ± 0.3 | APPROVED BY H. HIRATA | DATE 06/01/17 | | | | |
| ANGULAR | ± 1 ° | MATERIAL NO. 501864-**80 | | DOCUMENT NO. SD-501864-005 | SHEET NO. 2 OF 2 | | | |
| DRAFT WHERE APPLICABLE MUST REMAIN WITHIN DIMENSIONS | | SIZE A3 | THIS DRAWING CONTAINS INFORMATION THAT IS PROPRIETARY TO MOLEX INCORPORATED AND SHOULD NOT BE USED WITHOUT WRITTEN PERMISSION | | | | | |