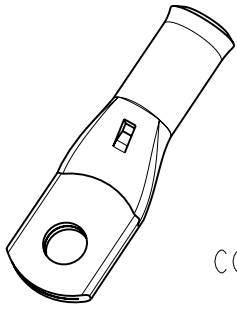
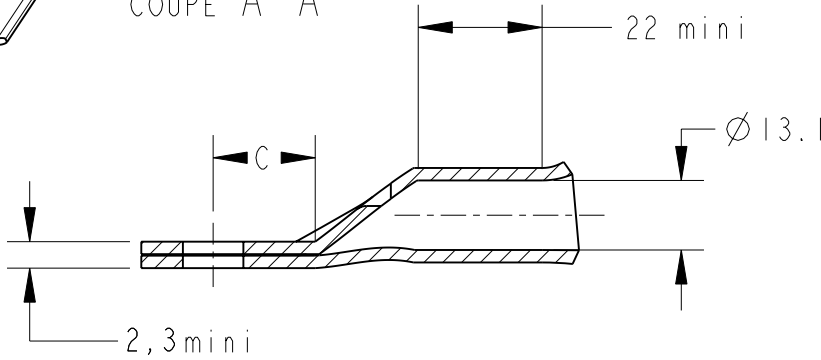


LOC	DIST	REVISIONS					
FH	2	P	LTR REV	DESCRIPTION MODIFICATIONS	DATE	DWN DESS.	APVD APP.
			E	MISE A JOURS / AJOUT NOTA	07DEC2009	BG	GP
			F	ECR-II-018538	07SEP2011	LP	NA



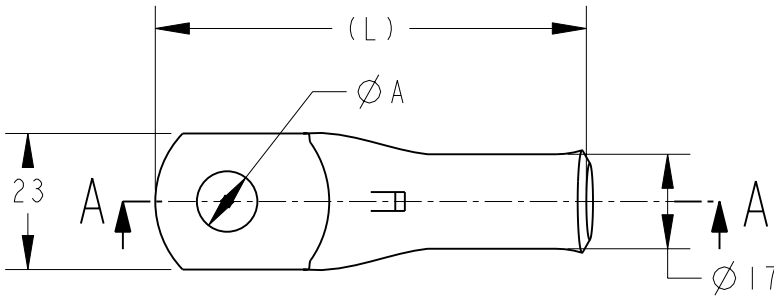
COUPE A-A



Inspection hole



Ces produits répondent à la norme NFC 20-130.
 These products are NFC 20-130 compliant.



(L)	C	ØA	DESCRIPTION	PART NUMBER
70	16,3	8,3	XCT 95-8	709819-1
70	16,3	10,3	XCT 95-10	709819-3
70	16,3	12,8	XCT 95-12	709819-5
70	16,3	14,5	XCT 95-14	709819-7
70	16,3	16,5	XCT 95-16	709819-8

- 1 - MATERIAL = TINNED COPPER
- 2 - Marking in depth: logo-section-hole-Made in France +
- 3 - CABLE SECTION = 3/0-4/0 AWG or 95mm²
- 4 - GROOVE E95Cu OR DIE (Punch 17PC120+ Die 17M95)


20

RELEASED FOR PUBLICATION
 LIBRE A LA DIFFUSION

ALL RIGHTS RESERVED.
 TOUS DROITS RESERVES.

THIS DRAWING IS UNPUBLISHED.
 DIFFUSION RESTREINTE

© COPYRIGHT 20

DIMENSIONS: mm		DWN/DESSINE D. LEGUY	15DEC00	MATERIAL MATIERE	CUIVRE	TOLERANCES UNLESS OTHERWISE SPECIFIED: TOLERANCES NON SPECIFIEES: -	FINISH FINITION	ETAME
 TOLERANCES UNLESS OTHERWISE SPECIFIED: TOLERANCES NON SPECIFIEES (SUIV NB DE DECIMALES): 0 PLC/DEC: ±0 1 PLC/DEC: ±0 2 PLC/DEC: ±0 3 PLC/DEC: ±0 4 PLC/DEC: ±0 ANGLES ±- 		CHK/VERIFIE E. DEREY	-	 TE Connectivity		NAME TITRE XCT 95-..		
		APVD/APPROUVE N. ALMEIDA	-					
		PRODUCT SPEC SPEC. PRODUIT	-	SIZE FORMAT	CAGE CODE	DRAWING NO No PLAN	RESTRICTED TO RESERVE A	
		APPLICATION SPEC SPEC. APPLICATION	-	A4	00779	©=709819	-	
WEIGHT MASSE APPROX.		CUSTOMER DRAWING /PLAN CLIENT		UNIQUEMENT POUR REFERENCE	SCALE ECHELLE - / -	SHEET FEUILLE 1	OF DE 1	REV F