



LAYOUT SHOWN AS EXAMPLE

Keying Shown as example

CHARACTERISTICS

- Standard : Based on MIL-DTL-38999 Series III
- Shell Material : Stainless Steel
- Shell Plating : Passivated
- Insulator : Thermoplastic
- Contacts : Copper Alloy
- Seals & Grommet : Silicon Elastomer
- Contact Plating : Gold over copper Alloy 0.8µm minimum
- Durability : 500 Mating cycles
- Delivered with Souriau contacts and Accessories
- Temperature Range : -65°C to +200°C
- Salt Spray : 500 hours

| Connector dimension | |
|---------------------|-----------------|
| Dim | Nominal |
| A | 49.2±0.3 |
| B | 33.32+0.1/-0.15 |
| R | 32.5Max |
| S | 46±0.4 |
| W | 3+0.9/-0.1 |
| VV THREAD | M28x1-6g |

SOURIAU shall not be liable for any non-conformity or damage due to a use of the Products which does not comply with the Specifications issued by either of the Parties or by a third party (professional recommendation, technical notice.)

| Country | Jurisdiction & Control List |
|---------|-----------------------------|
| FR | Not Listed |

PN: 8D719K35SN

| | | | |
|----------------|---|----------------------------|---|
| A | 30-09-2016 | First Release | |
| ISS | DATE | Latest modification - by | MOD N° |
| Designed By: | | Date: | CUSTOMER DRAWING |
| TITLE | Stainless Steel Receptacle 8D series | | |
| SCALE | | General linear Tolerances: | NPRDS / PROJECT |
| NA | | ±-- | 859 |
| SOURIAU | WWW.SOURIAU.COM | | This document is the property of SOURIAU it must not be reproduced or communicated without permission |
| FORMAT | SOURIAU DRG N° 8D719K35SN-C | | SHEET 1/2 |

| | | | | | | | | | |
|----------------|------------------------|---|---|----|---|----|---|---|------------------------------------|
| BASIC SERIES: | 8D | 7 | - | 19 | K | 35 | S | N | ORIENTATION : N |
| SHELL TYPE : | Jam nut Receptacle | | | | | | | | CONTACT TYPE : SOCKET(500 Matings) |
| CONTACT TYPE : | Standard Crimp Contact | | | | | | | | CONTACT LAYOUT : 19-35 |
| SHELL SIZE : | 19 | | | | | | | | |
| PLATING : | K = Passivated | | | | | | | | |

Contact Layout



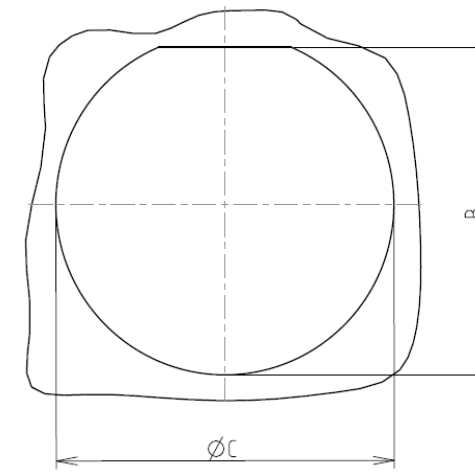
| Contacts (Insert arrangement 19-35) | | | | | |
|--|-------------|-------------|---------------------|-------------|-------------|
| Contact position ID | Location | | Contact position ID | Location | |
| | X-axis (mm) | Y-axis (mm) | | X-axis (mm) | Y-axis (mm) |
| 1 | -357 (9.07) | +090 (2.29) | 34 | +045 (1.14) | +360 (9.14) |
| 2 | -357 (9.07) | +000 (0.00) | 35 | +045 (1.14) | +270 (6.86) |
| 3 | -357 (9.07) | -090 (2.29) | 36 | +045 (1.14) | +180 (4.57) |
| 4 | -279 (7.09) | +225 (5.72) | 37 | +045 (1.14) | +090 (2.29) |
| 5 | -279 (7.09) | +135 (3.43) | 38 | +045 (1.14) | +000 (0.00) |
| 6 | -279 (7.09) | +045 (1.14) | 39 | +045 (1.14) | -090 (2.29) |
| 7 | -279 (7.09) | -045 (1.14) | 40 | +045 (1.14) | -180 (4.57) |
| 8 | -279 (7.09) | -135 (3.43) | 41 | +045 (1.14) | -270 (6.86) |
| 9 | -279 (7.09) | -225 (5.72) | 42 | +045 (1.14) | -360 (9.14) |
| 10 | -201 (5.11) | +270 (6.86) | 43 | +123 (3.12) | +315 (8.00) |
| 11 | -201 (5.11) | +180 (4.57) | 44 | +123 (3.12) | +225 (5.72) |
| 12 | -201 (5.11) | +090 (2.29) | 45 | +123 (3.12) | +135 (3.43) |
| 13 | -201 (5.11) | +000 (0.00) | 46 | +123 (3.12) | +045 (1.14) |
| 14 | -201 (5.11) | -090 (2.29) | 47 | +123 (3.12) | -045 (1.14) |
| 15 | -201 (5.11) | -180 (4.57) | 48 | +123 (3.12) | -135 (3.43) |
| 16 | -201 (5.11) | -270 (6.86) | 49 | +123 (3.12) | -225 (5.72) |
| 17 | -123 (3.12) | +315 (8.00) | 50 | +123 (3.12) | -315 (8.00) |

| Contacts (Insert arrangement 19-35) | | | | | |
|--|-------------|-------------|---------------------|-------------|-------------|
| Contact position ID | Location | | Contact position ID | Location | |
| | X-axis (mm) | Y-axis (mm) | | X-axis (mm) | Y-axis (mm) |
| 18 | -123 (3.12) | +225 (5.72) | 51 | +201 (5.11) | +270 (6.86) |
| 19 | -123 (3.12) | +135 (3.43) | 52 | +201 (5.11) | +180 (4.57) |
| 20 | -123 (3.12) | +045 (1.14) | 53 | +201 (5.11) | +090 (2.29) |
| 21 | -123 (3.12) | -045 (1.14) | 54 | +201 (5.11) | +000 (0.00) |
| 22 | -123 (3.12) | -135 (3.43) | 55 | +201 (5.11) | -090 (2.29) |
| 23 | -123 (3.12) | -225 (5.72) | 56 | +201 (5.11) | -180 (4.57) |
| 24 | -123 (3.12) | -315 (8.00) | 57 | +201 (5.11) | -270 (6.86) |
| 25 | -045 (1.14) | +360 (9.14) | 58 | +279 (7.09) | +225 (5.72) |
| 26 | -045 (1.14) | +270 (6.86) | 59 | +279 (7.09) | +135 (3.43) |
| 27 | -045 (1.14) | +180 (4.57) | 60 | +279 (7.09) | +045 (1.14) |
| 28 | -045 (1.14) | +090 (2.29) | 61 | +279 (7.09) | -045 (1.14) |
| 29 | -045 (1.14) | +000 (0.00) | 62 | +279 (7.09) | -135 (3.43) |
| 30 | -045 (1.14) | -090 (2.29) | 63 | +279 (7.09) | -225 (5.72) |
| 31 | -045 (1.14) | -180 (4.57) | 64 | +357 (9.07) | +090 (2.29) |
| 32 | -045 (1.14) | -270 (6.86) | 65 | +357 (9.07) | +000 (0.00) |
| 33 | -045 (1.14) | -360 (9.14) | 66 | +357 (9.07) | -090 (2.29) |

| (Applicable to MIL-DTL-38999 only) | | | | | | |
|------------------------------------|-----------------|--------------------|---------------|----------------|------------------|------------|
| Shell size | Arrangement no. | Number of contacts | Size contacts | Service rating | Contact location | Supersedes |
| 19 | -35 | 66 | 22D | M | All | MS27530-35 |

Panel cutout

JAM NUT RECEPTACLE (TYPE 7)



| Dim | Nominal |
|-----|---------------|
| B | 33.91+0/-0.25 |
| ØC | 35.18+0.25/-0 |

SOURIAU shall not be liable for any non-conformity or damage due to a use of the Products which does not comply with the Specifications issued by either of the Parties or by a third party (professional recommendation, technical notice.)

| Country | Jurisdiction & Control List |
|---------|-----------------------------|
| FR | Not Listed |

PN: 8D719K35SN

| | | | |
|--------------|----------------|---|------------------|
| A | 30-09-2016 | First Release | |
| ISS | DATE | Latest modification - by | MOD N° |
| Designed By: | | Date: | CUSTOMER DRAWING |
| TITLE | | Stainless Steel Receptacle 8D series | |
| SCALE | | General linear Tolerances: | NPRDS / PROJECT |
| NA | | ±-- | 859 |
| SOURIAU | | WWW.SOURIAU.COM | |
| | | This document is the property of SOURIAU it must not be reproduced or communicated without permission | |
| FORMAT | SOURIAU DRG N° | | SHEET |
| A3 | 8D719K35SN-C | | 2/2 |