

## Product Summary

# C030 Application Board

## LTE Cat 1, Cat M1, NB-IoT and 2G/3G mbed-enabled IoT starter kit

### Highlights

- Quick prototyping with Arm® Mbed™ on integrated host MCU
- Integrated GNSS for simple testing of positioning applications
- Ideal for ultra low power designs and compact form factors
- Out-of-the-box international eUICC roaming
- Easily capture sensor data with Arduino® shields
- Compatible with u-blox Bluetooth and Wi-Fi modules
- u-track\* demonstration software for low power tracking



### Product description

The u-blox C030 application board is an out-of-the-box rapid prototyping solution for IoT applications supporting new LPWAN (low power wide area network) cellular technologies, such as LTE Cat 1, Cat M1, NB-IoT, and existing 2G/3G networks. The board is powered by an integrated, Arm® Mbed™ compatible Cortex-M4 host MCU with 1 MB FLASH and 256 kB RAM, leaving ample space for software development and debugging.

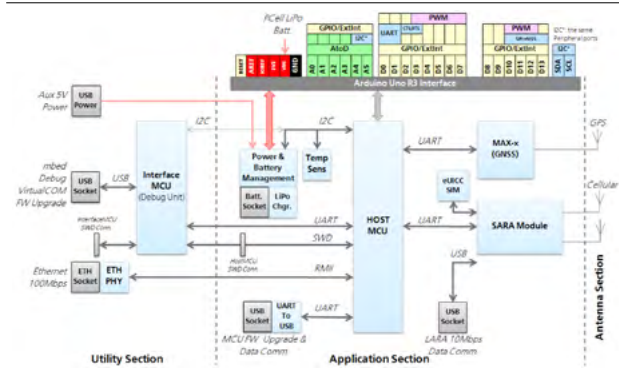
With its ultra low power design, it is ideal for applications that require long battery life in a compact form factor. It also enables straight forward development of location-aware applications based on u-blox GNSS technology. Further, it includes out-of-the-box international eUICC roaming capabilities via Jersey Telecom.

The board is compatible with u-blox Bluetooth and Wi-Fi modules, as well as Arduino® shields to capture data from sensors, drive actuators, and work with battery solutions. Integrated temperature sensor and coulomb counter are included on the board.

### Kit includes

C030-R412M	IoT starter kit with SMA connectors, External cellular antenna, External GNSS antenna, Mini SIM connector
C030-R3121, C030-U201	IoT starter kit with SMA connectors, External cellular antenna, External active GNSS antenna, eUICC with 50 MB data traffic/3-month subscription with JT included and ready for use
C030-N211	IoT starter kit with integrated antennas

### Block diagram (C030-SARA-U201-0 variant)



### Legal Notice:

u-blox reserves all rights to this document and the information contained herein. Products, names, logos and designs described herein may in whole or in part be subject to intellectual property rights. Reproduction, use, modification or disclosure to third parties of this document or any part thereof without the express permission of u-blox is strictly prohibited.

The information contained herein is provided "as is". No warranty of any kind, either express or implied, is made in relation to the accuracy, reliability, fitness for a particular purpose or content of this document. This document may be revised by u-blox at any time. For most recent documents, please visit [www.u-blox.com](http://www.u-blox.com). Copyright © 2019, u-blox AG

### Interfaces and electrical data

A standard header connector with 6 analog inputs, 8 PWM capable outputs, 22 GPIOs, 1 SPI, 1 UART, 1 I2C

C030-R412M	SMA connector for external GNSS antenna SMA connector for external cellular antenna mini SIM connector
C030-R3121, C030-U201	SMA connector for external GNSS antenna SMA connector for external cellular antenna SIM: eUICC
C030-N211	SMA connector for external GNSS antenna SMA connector for external cellular antenna mini SIM connector
Ethernet	RJ45 connector, 10/100 Mbit/s
USB	Mini USB with Mbed Interface (ST-Link, serial port, Mbed ISP)
Power supply	Header connector pins or via extra USB connection for power boost
IO voltage	3.3 V

### Software

Quickly prototype in an Arm® Mbed™ OS5 software environment within a large eco-system of free peripheral and module libraries that are built on top of the SDK. The [mbed.org](http://mbed.org) online compiler is all you need to write and compile embedded software. Create a program in your private workspace, then compile and download the binary to the Mbed device.

Online build environment and support forum

Support libraries Cellular modem driver, embedded GPS driver stack, TCP/IP stack with standard sockets and examples

Visit Mbed links Go to "[os.mbed.com/platforms](http://os.mbed.com/platforms)" and select Platform Vendor = u-blox

u-track\* Software tool replicating a low power tracking app.

\* u-track software only works with the C030-R412M variant.

### Product variants

Each product variant includes GNSS capabilities and a Cortex M4 MCU.

C030-R412M-0	Mbed enabled IoT starter kit with SARA-R412M (LTE Cat M1 / NB1) and ZOE-M8B GNSS modules
C030-R3121-0	Mbed enabled IoT starter kit with LARA-R3121 (LTE Cat 1) with integrated GNSS
C030-U201-0	Mbed enabled IoT starter kit with SARA-U201 (HSPA / GSM) and MAX-M8C GNSS modules
C030-N211-0	Mbed enabled IoT starter kit with SARA-N211 (LTE Cat NB1) and MAX-M8C GNSS modules

### Further information

For contact information, see [www.u-blox.com/contact-us](http://www.u-blox.com/contact-us).

For more product details and ordering information, see the product data sheet.