

C3216X8L1E106K160AC

TDK Item Description : C3216X8L1E106KT****

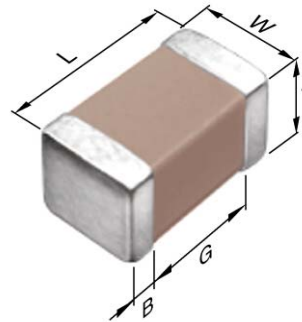


Application & Main Feature

Commercial Grade (High Temperature Application)

Series

C3216 [EIA 1206]



Dimensions

L	3.20mm +0.3,-0.1mm
W	1.60mm +0.3,-0.1mm
T	1.60mm +0.3,-0.1mm
B	0.20mm Min.
G	1.00mm Min.

Temperature Characteristic

X8L (-55 to 150 degC +15,-40%)

Rated Voltage

1E (25Vdc)

Capacitance

10uF

Capacitance Tolerance

K (+/-10%)

Dissipation Factor

5% Max.

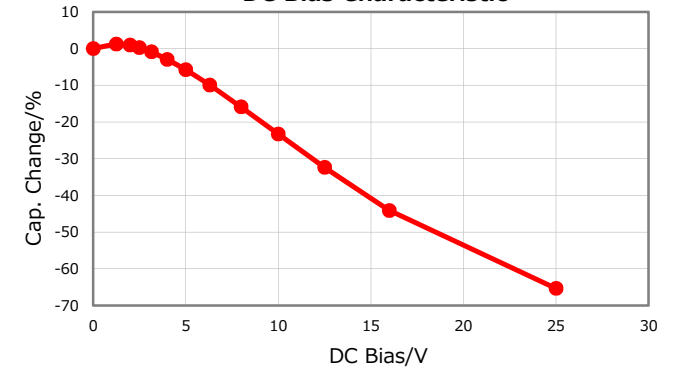
Insulation Resistance

50Mohm Min.

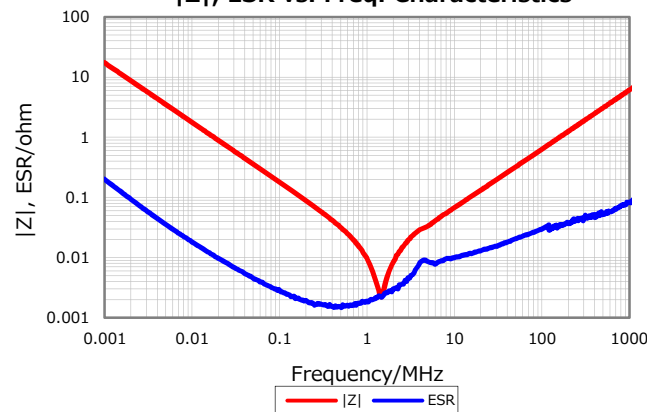
AEC-Q200

Not Applicable

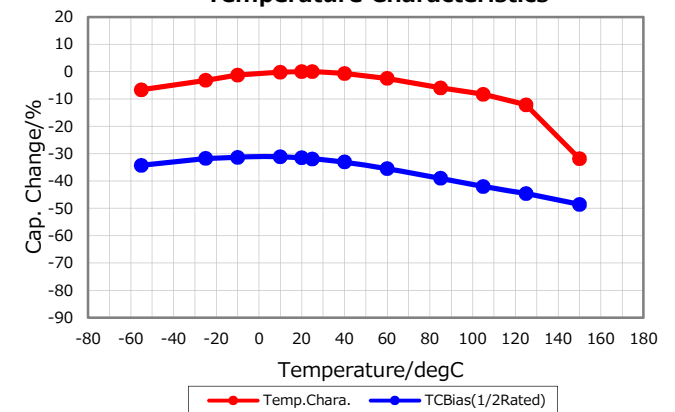
DC Bias Characteristic



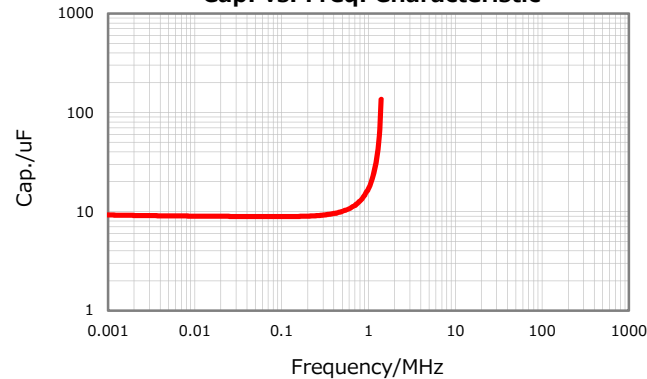
|Z|, ESR vs. Freq. Characteristics



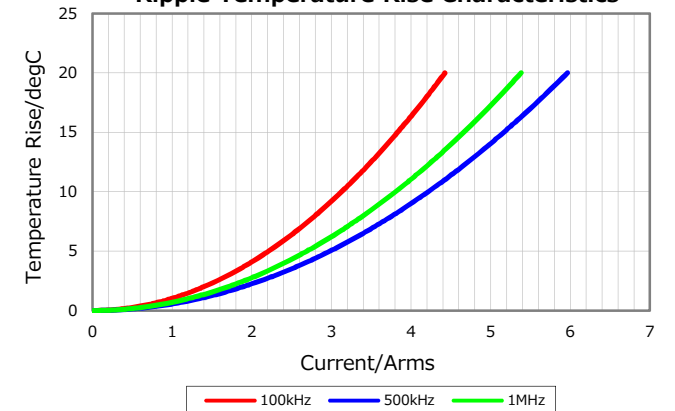
Temperature Characteristics



Cap. vs. Freq. Characteristic



Ripple Temperature Rise Characteristics



Characterization Sheet (Multilayer Ceramic Chip Capacitors)



⚠ All specifications are subject to change without notice.

June 11, 2018