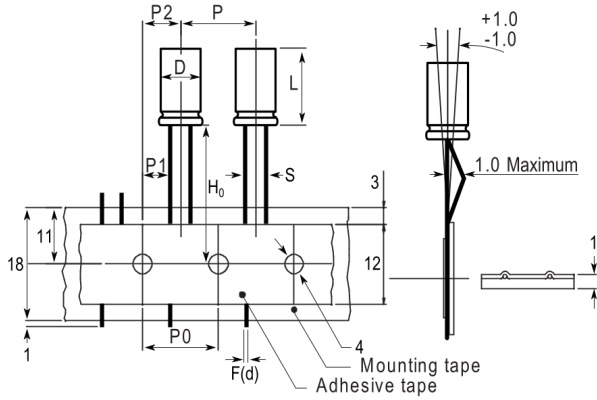


Straight Leads Diameter > 8
Lead and packaging code EA and KA



Note: '()' correspond to the letters used in the product bulletin

Click [here](#) for the 3D model.

Dimensions

D	16mm +/-0.5mm
L	32mm +2mm
S	7.5mm +/-0.5mm
LL Negative	15mm MIN
LL Positive	20mm MIN
F	0.8mm NOM

Packaging Specifications

Packaging	Ammo
-----------	------

General Information

Series	ESW
Dielectric	Aluminum Electrolytic
Description	LowZ Single Ended Aluminum Electrolytic
Features	Low Z
RoHS	Yes
Lead	Wire Leads
AEC-Q200	No

Specifications

Capacitance	4,700 uF
Capacitance Tolerance	20%
Voltage DC	16 VDC, 20 VDC (Surge)
Temperature Range	-40/+105°C
Rated Temperature	105°C
Life	6000 Hrs
Dissipation Factor	16% 120Hz 20C
Resistance	0.017 Ohms (100kHz 20C)
Ripple Current	3450 mAmps (100kHz 105C)
Leakage Current	752 uA (2min 20°C)
Impedance Ratio at -25C	2
Impedance Ratio at -40C	4