

DATASHEET

Rugged Telematics Device

iW-RainboW-G26I

The Rugged Telematics Device with IP67 protection class is an ideal solution for telematics applications in rugged and off highway environments. The device is feature rich, supporting 3 CAN Ports, RS232, RS485 and various wireless connectivity options such as 4G, Wi-Fi and Bluetooth, with an on-board hardware secure element. The device provides you the support to custom build your software.

Software flexibility and Security

Powered by a powerful processor, The Rugged Telematics Device is equipped with LINUX 5.4 Kernel and API's available for the various peripherals, sensors and connectivity modems. Telematics unit provides consumers the flexibility to build their custom application and integrate with various cloud and analytics platforms.

Device is integrated with security module offering secure encryption of data and crypto library support. The processor also helps you integrate various security functions on the connected device.



Key Features

- Powered by NXP i.MX 6ULL application processor
- IP67 Protection Class with external antennas
- Integrated Hardware Secure Element
- 3 CAN Ports, RS232 / RS485 and Ethernet Port
- LTE Cat-4 / Cat-M1, Wi-Fi and Bluetooth Connectivity
- LINUX 5.4 BSP offering software flexibility

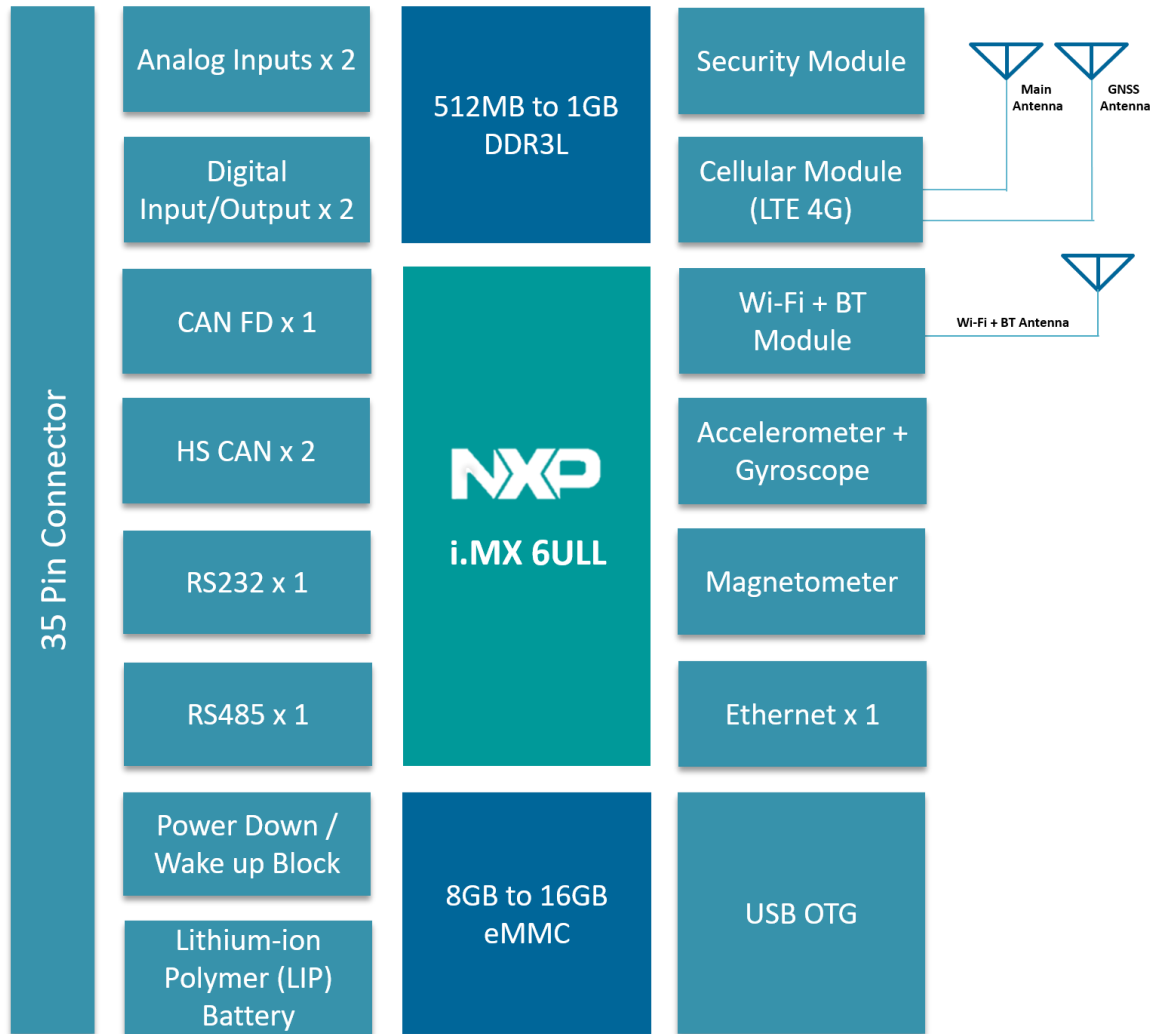
Benefits and Value Proposition

The Rugged Telematics Device with IP67 protection class is built to track your vehicles even in tough conditions. The powerful processor provides the provision to enable various protocol standards, making the device compatible with different types of vehicles. The ruggedness of the solution with compact design makes it a perfect fit.

The software flexibility for the customer to build their proprietary application and integration, makes the device the right choice for end applications.

Rugged Telematics Device

Functional Block Diagram



Note: Standard delivery varies with respect to the few sections of this block diagram, depending on the ordered configuration

Ordering Part Numbers

Part number	Description
iW-G26ISA-512-08G-NIW-XM-11-EM-LI1BXX	Rugged Telematics Device with LTE Cat-4 Connectivity (NA / Canada)
iW-G26ISA-512-08G-EIW-XM-11-EM-LI1BXX	Rugged Telematics Device with LTE Cat-4 Connectivity (EMEA / APAC)
iW-G26ISA-512-08G-MIW-XM-11-EM-LI1BXX	Rugged Telematics Device with LTE Cat-M1 Connectivity

Note:

- In production volumes, The Rugged Telematics Device can be configured as per the required features
- For more details on the various configurations, please contact iWave sales team at mktg@iwavesystems.com

Rugged Telematics Device

Processor Core and Storage

CPU	Arm® Cortex®-A7 based CPU @ 792MHz i.MX 6ULL Micro-Processor
MCU	Arm Cortex-M0+ MCU, up to 32 KB flash and 4 KB SRAM
RAM	512MB DDR3L SDRAM (Expandable upto 1GB)
FLASH	8GB eMMC Flash (Expandable upto 16GB)

Wireless Connectivity

Cellular Connectivity	LTE Cat 4 EMEA/APAC - B1/B3/B7/B8/B20/B28 North America/Canada - LTE FDD - B2/ B4/ B5/ B12/B13/ B25/ B26
	LTE Cat M1 LTE FDD - B1/ B2/ B3/ B4/ B5/ B8/ B12/ B13/ B18/ B19/ B20/B28 LTE TDD - B39
Wi-Fi	802.11 a/b/g/n/ac Hotspot and client mode With WPA2 feature
Bluetooth	Bluetooth v5.0 BR/EDR/LE

Interfaces and Peripherals

CAN FD	1 port
	Data rate up to 5Mbps
	Identifier Support: 11 and 29 bit
	Classic CAN backwards compatible
High-speed CAN	2 ports
	Data rate up to 1 Mbps
	Identifier Support: 11 and 29 bit
RS232 / RS485 ¹ / K-Line ¹	RS232: 2-wire x 1 port (or) RS485: 4-wire x 1 port (or) K-Line: 1 port
Ethernet	10/100Mbps x 1 port (10Base-T/100Base-TX)
Digital Inputs	2 Ports (12V-36V)
Digital Outputs	2 Ports (5V- 24V, Sink Current: 300mA)
Analog Input	2 Ports (0-36V). Through the On-Board MCU
USB	USB OTG x 1 port

Power Characteristics

Power Input	9V - 36V
Power Consumption	Current consumption at normal mode: 270mA at 12V
Power saving modes	Stand-by Mode: 6mA Deep Power Down Mode : < 1mA

Positioning

GNSS	GPS/GLONASS/BeiDou/Galileo
Receiving Channel ²	72 Channel
Time to update position ²	1s
Receiver sensitivity ²	Tracking & Nav: -157 dBm
	Cold starts: -146 dBm
	Hot starts: -157 dBm
Time to First Fix ²	Cold starts: 11.57s
	Hot starts: 1.8s
	Aided starts: 3.4s

Sensors

Accelerometer	Function: 3 Axis
	Sensitivity Range: ±2/ ±4/ ±8/ ±16 g full scale
Gyroscope	Function: 3 Axis
	Sensitivity Range: ±125/±250/±500/±1000/±2000 dps
Magnetometer	Function: 3 Axis
	Sensitivity Range: Up to ±50 gauss magnetic dynamic range

SIM Provision

SIM connector	Micro SIM Connector eSIM ¹
---------------	--

Environmental Conditions

Operating Temperature	-40°C to +70°C ³
Storage Temperature	-40°C to +85°C ³

¹ Optional features: For more information please contact iWave sales team at mktg@iwavesystems.com

² Above table gives information about satellite positioning as per the module specification

³ Temperature range subject to use case and operational functionality

Rugged Telematics Device

Security		Antenna	
Security Module ¹	Integrated Hardware Secure Element Crypto-Automotive Security IC	External Antenna Connectors	SMA Connectors : 1 x LTE, 1 x GNSS RP-SMA Connector : 1 x Wi-Fi
Internal Battery		RTC	
Capacity	Lithium-ion Polymer (LIP) 1500mAh	RTC ¹	Tiny Real-Time Clock/calendar with alarm function, battery switch-over, time stamp input.
Temperature Support	Battery when discharging: -20°C to +60°C Battery when charging: 0°C to 45°C	LED	
Certification	Certified with UN38.3 and IEC 62133-2	LED 1	Red: Power
		LED 2	Green: Status Indication

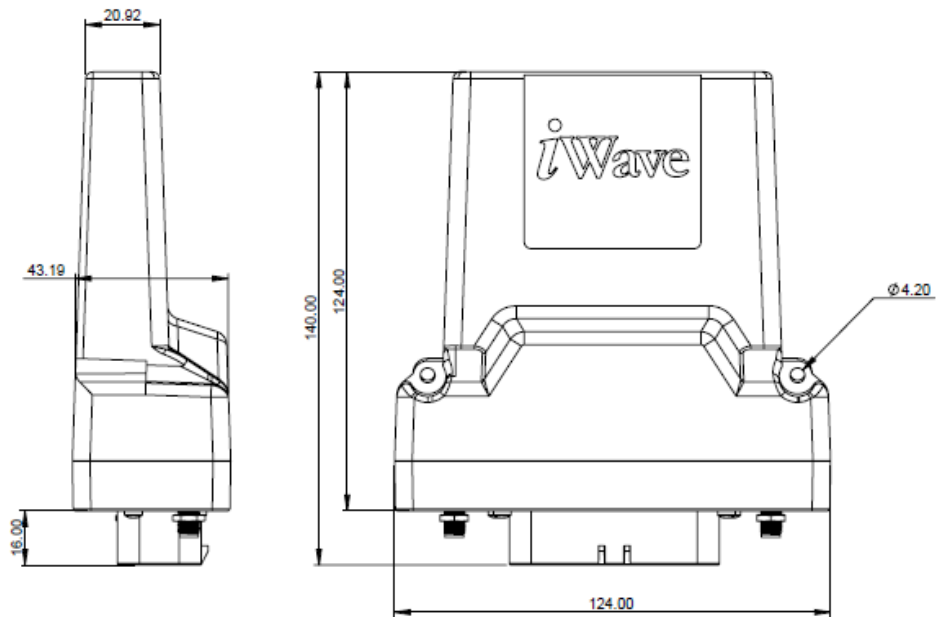
Software Specifications	
Board support package (BSP)	U-Boot 2020.04 Linux version: 5.4.70
API Support	<ul style="list-style-type: none"> Sensors / Cellular Connectivity / Wi-Fi / Bluetooth Interface peripherals: CAN Data Wake-Up based on Ignition / CAN / Timer / Accelerometer LED
Time Synchronization	GNSS and NTP
Wake-Up Modes	Ignition / CAN / Timer / Accelerometer/ RTC ¹
Sleep Modes	Sleep Mode / Deep Power Down Mode
CAN Protocol ¹	Socket CAN, ISO 15765-4, CANopen, J1939, UDSonCAN
Data reading ¹	<ul style="list-style-type: none"> ISO 9141-2 (5 baud init, 10.4kbps) ISO 14230-4 KWP (5 baud init, 10.4kbps) ISO 14230-4 KWP (fast init, 10.4kbps) ISO 15765-4 CAN (11 bit ID; 250kbps, 500kbps) ISO 15765-4 CAN (29 bit ID; 250kbps, 500kbps) SAE J1939 (29 bit ID, 100kbps, 125kbps, 250kbps, 500kbps, 1000kbps)
Security ¹	Secure boot, Secure storage, Wi-Fi Security
Software Modules ¹	<ul style="list-style-type: none"> OTA Update Power Management Data collection application on the device Cloud Platform SDK Integration

¹ Optional features: For more information please contact iWave sales team at mktg@iwavesystems.com

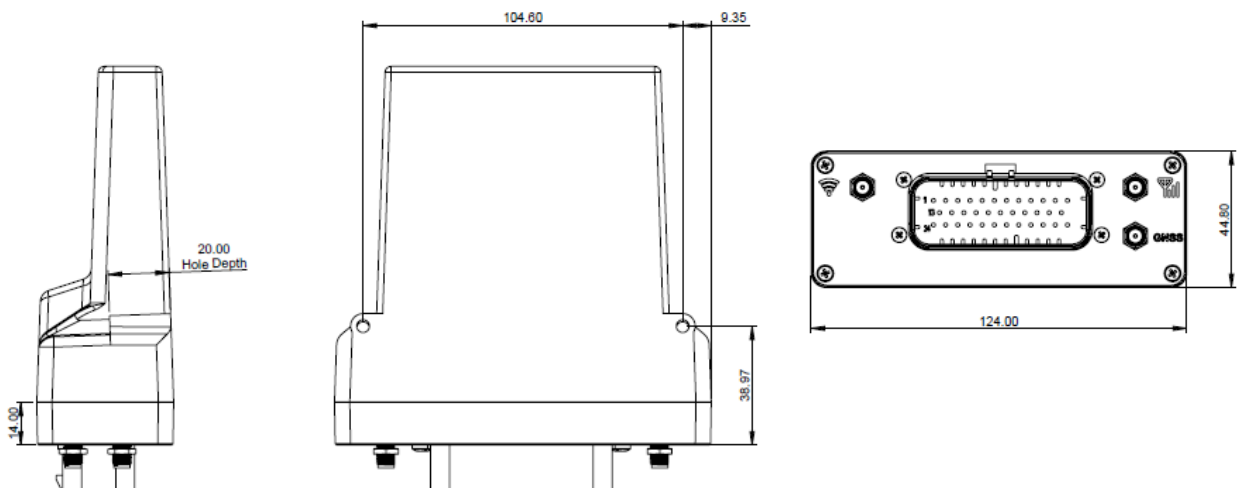
Mechanical

Dimensions (H x W x D)	140 x 124 x 42.43 mm
Enclosure Material	Bayblend FR3010
Manufacturing Process	Injection Moulding
Colour of Enclosure	Black (RAL 9005)
Enclosure Surface Finish	Textured Finish
Protection Class	IP67
Mounting Options	Panel mount
Number of Enclosure Parts	2
Enclosure Certification	Flammability rating, UL94-V0

Top View



Bottom View

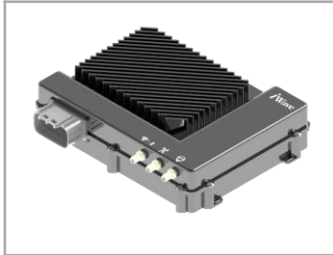


Connector Specifications

Description	Connector on Device: 35 Pin Ampseal Connector Tin Plated (Part Number: 776163-1) Mating Connector : 35 Pin Ampseal Connector Housing (Part Number: 776164-1)		
Connector Pinout	Pin No	Signal Name	Description
	1	DIN3 ¹	Digital Input 3
	2	ANALOG_IN1	Analog Input 1
	3	DIN2 / ETH_ACTIVATE ¹	Digital Input 2 / ETH_ACTIVATE
	4	HS_CAN2_H	High Speed CAN2 High
	5	HS_CAN2_L	High Speed CAN2 Low
	6	FD_CAN_H	Flexible Data Rate CAN High
	7	FD_CAN_L	Flexible Data Rate CAN Low
	8	IGN_DET	Ignition Detection Input
	9	RS485_RX_M ¹	RS485 RXM
	10	RS232_RXD1 / RS485_RX_P ¹ / UART_RXD ¹	RS232 RXD1 / RS485 RXP / Debug UART_RX
	11	ETH_MAG_RXP	Ethernet RXP
	12	ETH_MAG_RXM	Ethernet RXM
	13	DIN4 ¹	Digital Input 4
	14	USB_OTG_ID / DOUT3 ¹	USB_OTG_ID / Digital Output 3
	15	DOUT2	Digital Output 2
	16	DOUT1	Digital Output 1
	17	HS_CAN1_H	High Speed CAN1 High
	18	HS_CAN1_L	High Speed CAN1 Low
	19	ANALOG_IN2 ¹	Analog Input 2
	20	RS232_TXD1 / RS485_TX_P ¹ / UART_TXD ¹	RS232 TXD1 / RS485 TXP / Debug UART_TX
	21	RS485_TX_M ¹ / K-Line ¹	RS485 TXM / K-Line
	22	ETH_MAG_TXP	Ethernet TXP
	23	ETH_MAG_TXM	Ethernet TXM
	24	MAIN_VCC_OBD_IN	Power Input (12V Typical)
	25	GND_OBD	Ground
	26	DIN1	Digital Input 1
	27	UART5_TX	Debug UART_TX
	28	UART5_RX	Debug UART_RX
	29	I2C2_SCL ¹ / ETH_ACTIVATE ¹	I2C2_Serial Clock / ETH_ACTIVATE
	30	I2C2_SDA ¹ / USB_OTG_ID ¹	I2C2_Serial Data / USB_OTG_ID
	31	VCC_3V3	3.3V Power Out
	32	5V_USB	USB Power
	33	USB_OTG_D+_CONN	USB_OTG_D+
	34	USB_OTG_D-_CONN	USB_OTG_D-
	35	USB_GND	USB_GND

¹ Marked one are optional features which are not supported by the standard configuration .. For example, pin 3 is DIN2 / ETH_ACTIVATE¹, per standard delivery DIN2 is supported and ETH_ACTIVATE¹ is an optional feature. For optional features support, contact your representative at iWave.

Related Products



Telematics Gateway

The i.MX 8XLite powered Telematics Gateway is built with extensive interfaces: 4 CAN Interfaces, RS232, RS485, Analog Inputs and Digital Inputs. With the support for multiple protocols and powerful edge firmware, the gateway is suitable for wide range of applications.



Telematics Control Unit

Telematics Control Unit is built to power your connected mobility and telematics applications across a range of connected vehicles. It is integrated with multiple CAN ports, a wide range of protocol support and a multitude of wireless connectivity options.



V2X Connectivity Hub

Integrated with C-V2X and DSRC technologies, the hybrid V2X Connectivity Hub provides as a scalable and modular platform. Designed to serve a plethora of V2X Applications, the V2X Gateway can be positioned as an On-Board Unit (OBU) or as a Road-Side Unit (RSU).

Document Revision History

Document Number	iW-PRGST-DS-01-REL1.2	
Release	Date	Description
1.0	27 th April 2022	Draft Release
1.1	18 th July 2022	Updated Antenna & Power modes
1.2	08 th November 2022	Additional information added to Wake-Up Modes & Mechanical Features

PROPRIETARY NOTICE: This document contains proprietary material for the sole use of the intended recipient(s). Do not read this document if you are not the intended recipient. Any review, use, distribution or disclosure by others is strictly prohibited. If you are not the intended recipient (or authorized to receive for the recipient), you are hereby notified that any disclosure, copying distribution or use of any of the information contained within this document is STRICTLY PROHIBITED. Thank you.

CONTACT US

We are committed to provide the best solutions to customers. For assistance and more detailed information, please contact us at:

Email : mktg@iwavesystems.com
Website : www.iwavesystems.com
Address : iWave Systems Technologies Pvt. Ltd.
7/B, 29th Main, BTM Layout 2nd Stage,
Bangalore, Karnataka, India – 560076



NOTE: “Please refer the actual configuration that has been ordered. Few sections of this manual may not apply, depending on the ordered configuration”

INDIA

iWave Systems Technologies Pvt Ltd.
#7/B, 29th Main, BTM Layout 2nd Stage,
Bangalore - 560 076, INDIA.
Ph: +91-80-26683700, 26786245
mktg@iwavesystems.com

JAPAN

iWave Japan Inc.
8F Kannai Sumiyoshi Building, 3-29 Sumiyoshi-cho,
Naka-ku, Yokohama Kanagawa, JAPAN
Ph: 045-227-7626, 045-227-7646
mktg@iwavesystems.com

EUROPE

International Sales and Marketing Europe
Venkelbaan 55 2908KE Capelle aan den IJssel
The Netherlands
Ph: +31 10 28403383
info@iwavesystems.eu

USA

iWave USA
1692 Westmont Ave.
Campbell, CA95008 USA
Ph: 408-206-5958
info@iwavesystems.us