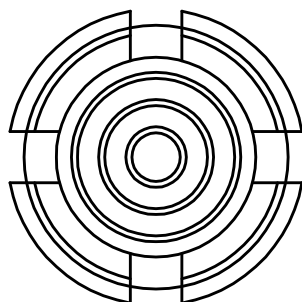
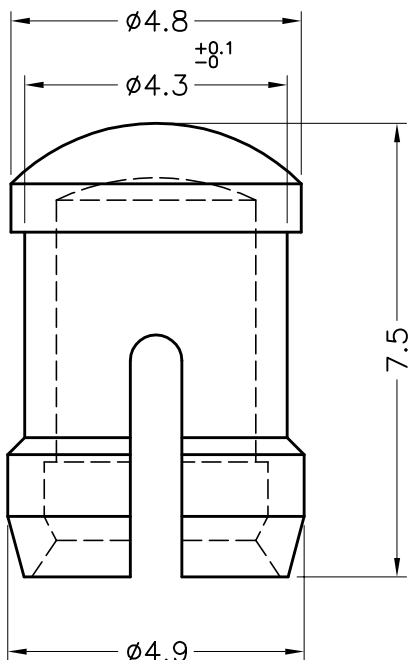
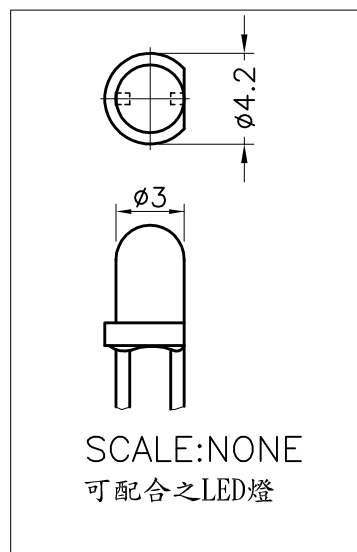


| 成型尺寸 | 公差 |
|----------|------|
| 5mm 以下 | ±0.2 |
| 5~20mm | ±0.3 |
| 20~40mm | ±0.4 |
| 40~60mm | ±0.5 |
| 60~100mm | ±0.8 |
| 100mm 以上 | ±1.0 |



| REVISIONS | | | |
|-----------|-------------|------|----|
| REV | DESCRIPTION | DATE | BY |
| | | | |
| | | | |



MUONTING HOLE $\phi 4.4$
CHASSIS THICKNESS: 1.57~3.2

| PART NO. | COLOR |
|-----------|-------|
| LC3-1 | CLEAR |
| LC3-1(MA) | AMBER |
| LC3-1(AR) | RED |
| LC3-1(GR) | GREEN |


康揚企業股份有限公司
 KANG YANG HARDWARE ENTERPRISE CO., LTD.
東莞康揚塑膠五金電子廠
 DONG GUAN KANG YANG PLASTIC HARDWARE COMPANY
康哲電腦配件(吳江)有限公司
 KANG CHE COMPUTER COMPONENTS(WUJIANG) CO.,LTD.

| | | |
|--------------------------------------|-----------|--------------------|
| TITLE | LENS CAP | 產品規格圖面 |
| MATERIAL | PC | DATE 2003.05.09 |
| FINISH | | DRAWN S.J.C |
| COLOR | SEE ABOVE | CHECK |
| UNLESS OTHERWISE SPECIFIED TOLERANCE | SEE ABOVE | APPROVED |

| | | | |
|-------------|-------|----------------|-----|
| PART NUMBER | | DRAWING NUMBER | |
| LC3-1 | | LC3-1H | |
| SIZE | SCALE | UNIT | REV |
| A4 | 8:1 | mm | B |