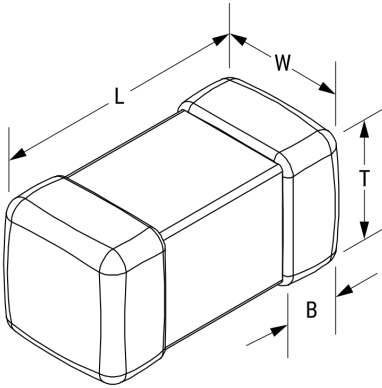


L1008C1R0MDMIT

Aliases (L1008C1R0MDMIT)

Obsolete

KEMET, L-DMI, Power, 1 uH, 20%



Click [here](#) for the 3D model.

Dimensions

| | |
|-----------|----------------|
| Chip Size | 1008 |
| L | 2.5mm +/-0.2mm |
| W | 2mm +/-0.2mm |
| T | 1mm MAX |
| B | 0.5mm +/-0.3mm |

Packaging Specifications

| | |
|--------------------|------|
| Packaging | T&R |
| Packaging Quantity | 3000 |

General Information

| | |
|--------------|---|
| Series | L-DMI |
| Style | SMD Chip |
| Description | Shielded, Surface Mount Inductor |
| Features | High Current Type For Power Supply Line |
| RoHS | Yes |
| Winding Type | Multilayer |
| Notes | Suggested Replacement - https://www.chilisin.com/en-global/Inductor/Product/BKPB_252010/BKPB002520101R0MA2 . |

Specifications

| | |
|----------------------|---|
| Inductance | 1 uH (1MHz) |
| Inductance Tolerance | 20% |
| Temperature Range | -40/+85°C |
| Shielded | Yes |
| Current | 1400 mAmps (MAX), 1400 mAmps (Self Heating) |
| DC Resistance | 0.08 Ohms (Max) |

Statements of suitability for certain applications are based on our knowledge of typical operating conditions for such applications, but are not intended to constitute - and we specifically disclaim - any warranty concerning suitability for a specific customer application or use. This information is intended for use only by customers who have the requisite experience and capability to determine the correct products for their application. Any technical advice inferred from this information or otherwise provided by us with reference to the use of our products is given gratis, and we assume no obligation or liability for the advice given or results obtained.