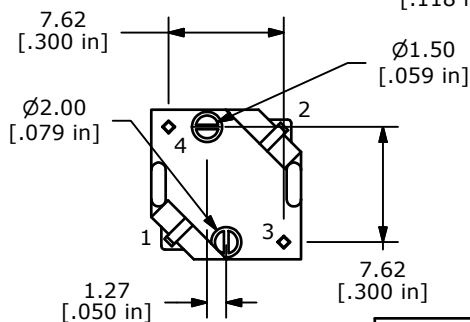
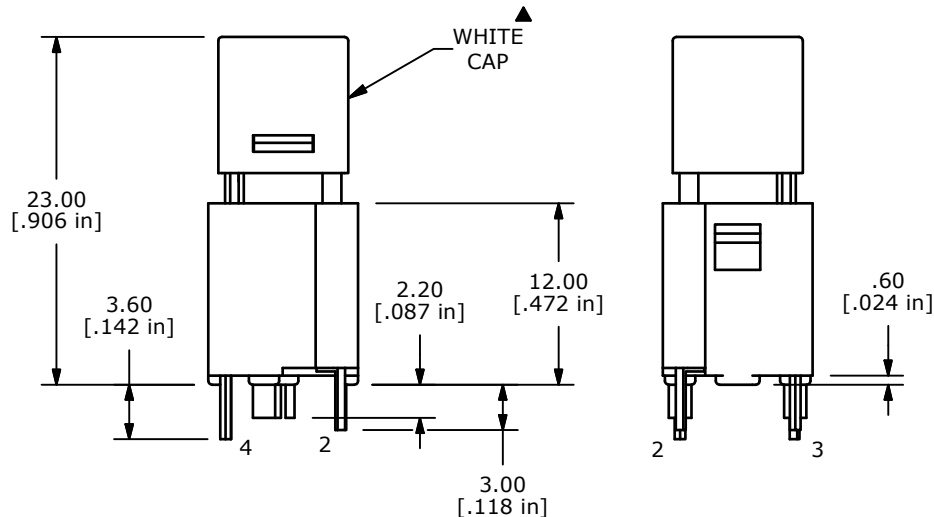
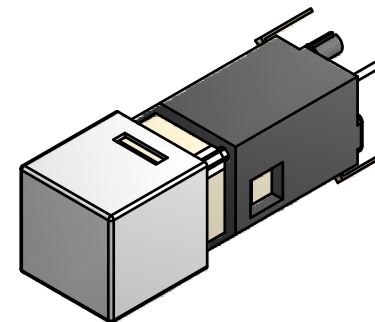
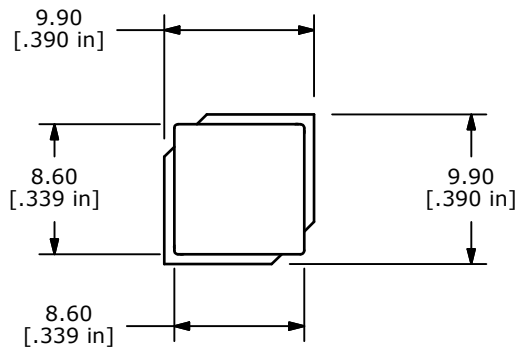
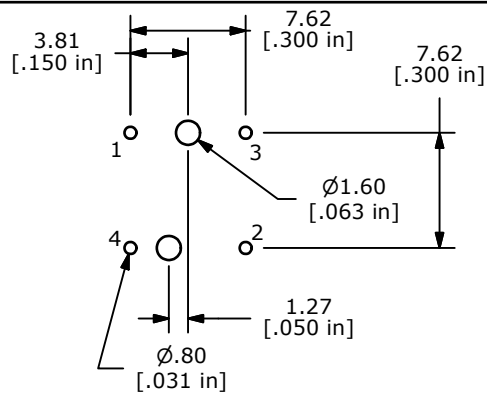


YELLOW LED

▲ CIRCUIT: SPST  
OFF (ON)



NOTES:

1. ALL DIMENSIONS IN MM [INCH]
2. GENERAL TOLERANCE: X.X=±0.4  
X.XX=±0.25
3. RATING: 20VDC @ 1mA or 5VDC @ 5mA
4. CONTACT RESISTANCE: 200Ω MAX. @ 5VDC, 1mA
5. INSULATION RESISTANCE: 100MΩ MIN. @ 100VDC.
- ▲ 6. OPERATING FORCE: 125± 35gf
7. TRAVEL: 1.3 +/-0.3 mm
8. OPERATING TEMPERATURE: -20°C TO 70°C
9. OPERATING LIFE: 300,000 CYCLES
- ▲ 10. LED: YELLOW
11. ▲ DENOTES CRITICAL PARAMETERS
12. 2002/95/EC (ROHS) COMPLIANT

▲ LED SPECS	UNITS	YELLOW
FORWARD CURRENT	mA	20 NOMINAL
FORWARD VOLTAGE @20mA	V	1.70 TYP. 2.60 MAX.
LUMINOUS INTENSITY @ 20mA	mcd	350 TYP.



TITLE LP2S2WHTYEL-N				
SCALE 2:1	DATE 1/23/2012	DR BGL	DWG B250009	REV A

A	20418	RELEASE FOR PRODUCTION	1/23/12	BGL
REV	PCR NO	DESCRIPTION	DATE	BY

THE INFORMATION CONTAINED IN THIS DOCUMENT IS PROPRIETARY TO E-SWITCH AND IS NOT TO BE COPIED OR TRANSFERRED