

Customer Information Sheet

DRAWING No.: M83-LML3M5N25-0101-333

SHEET 2 OF 2

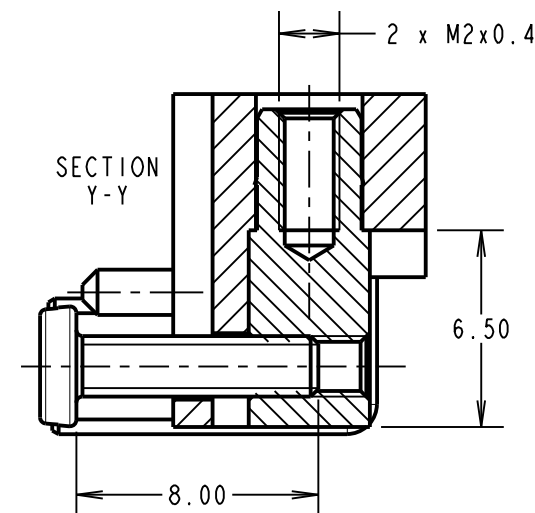
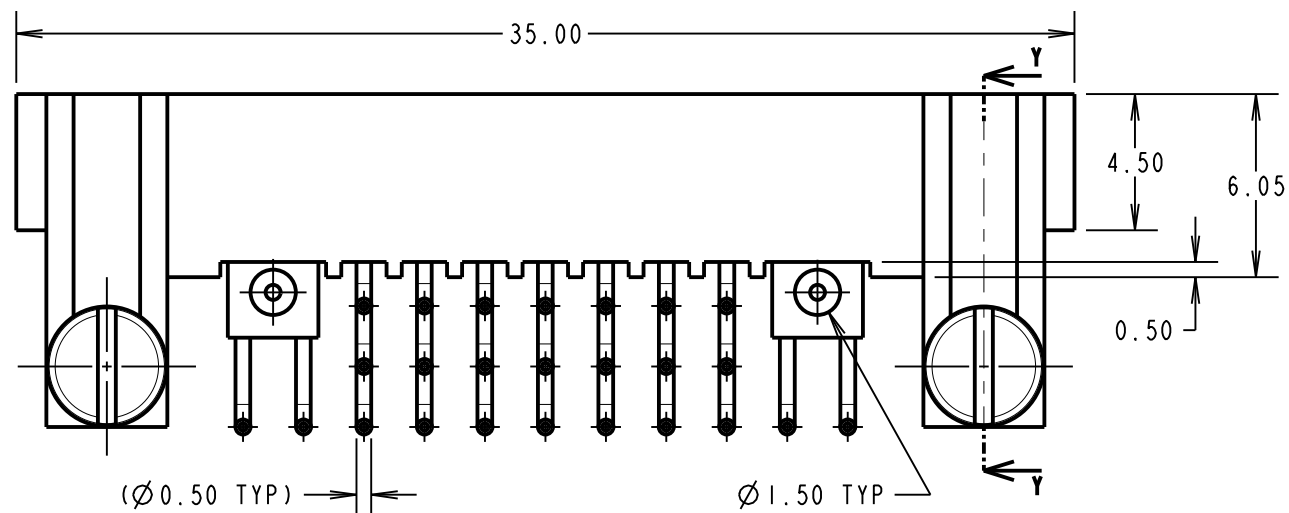
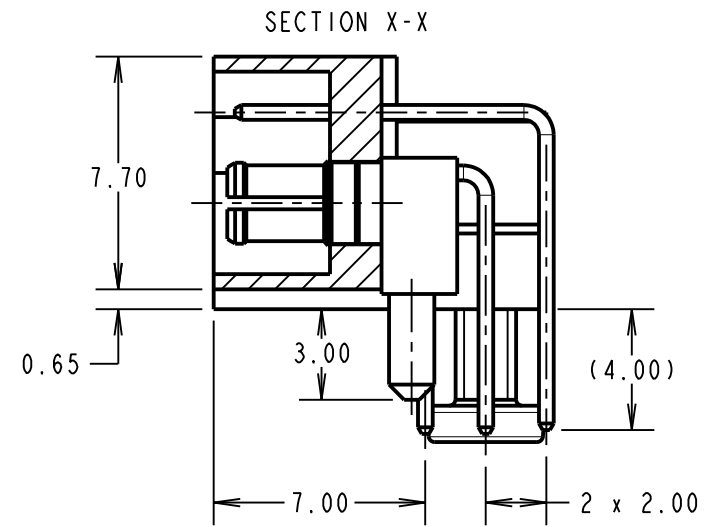
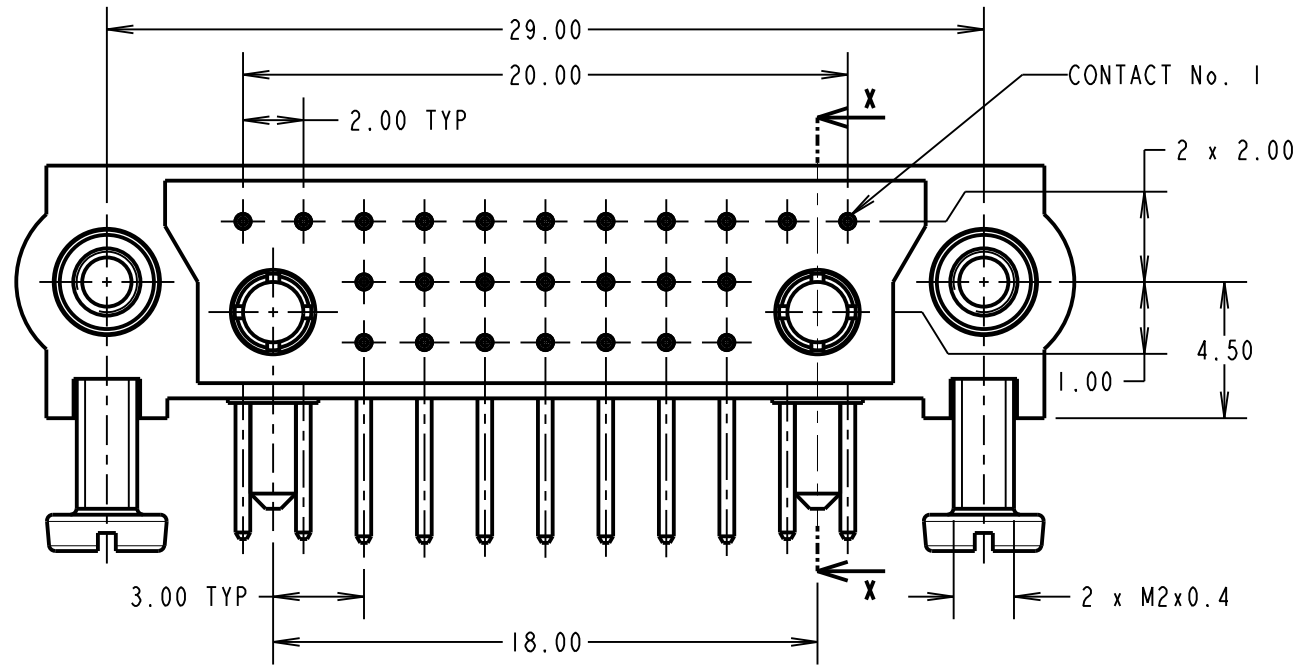
IF IN DOUBT - ASK

©

NOT TO SCALE

THIRD ANGLE PROJECTION

ALL DIMENSIONS IN mm



SPECIFICATIONS:

MATERIAL:
 MOULDING = GLASS-FILLED PPS, UL94V-0, BLACK
 JACKSCREW = STAINLESS STEEL
 SIGNAL CONTACT = PHOSPHOR BRONZE
 POWER CONTACT = COPPER ALLOY

FINISH:
 SIGNAL CONTACT = 0.75 μ GOLD
 POWER CONTACT = GOLD

ELECTRICAL:
 WORKING VOLTAGE = 800V AC/DC
 VOLTAGE PROOF = 1200V AC/DC
 INSULATION RESISTANCE = 100M Ω MIN

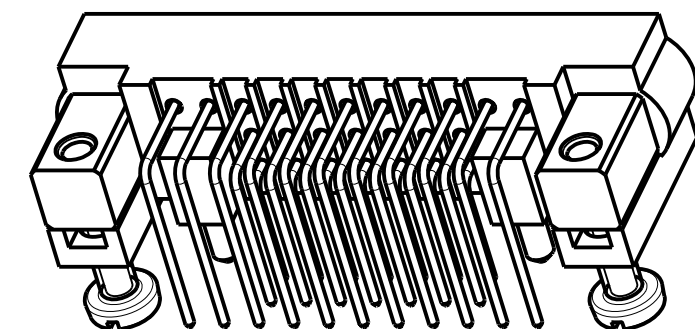
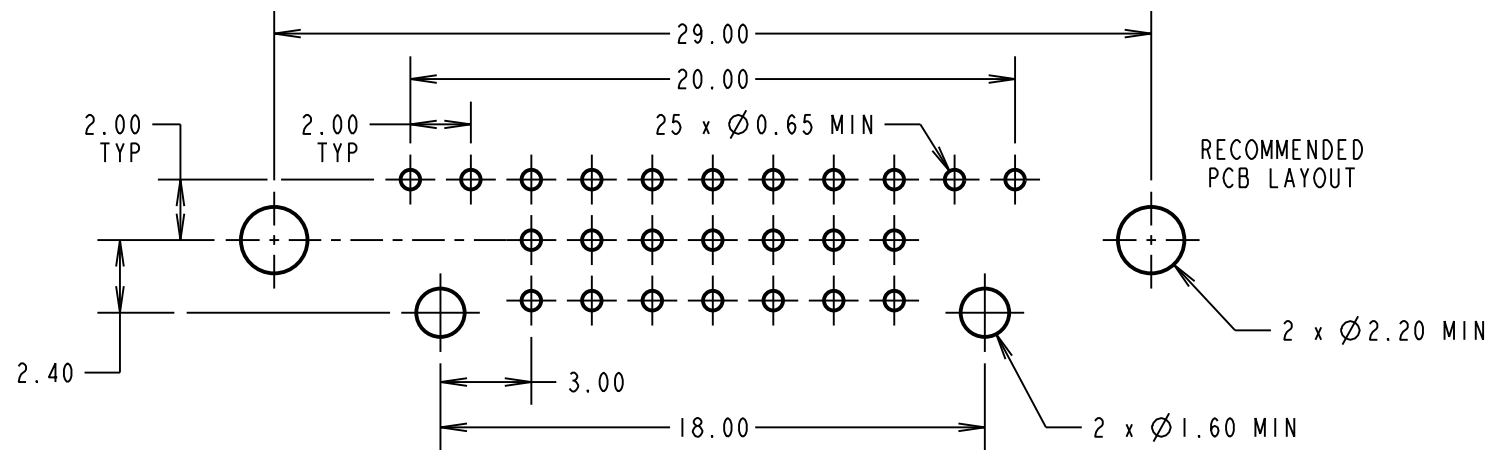
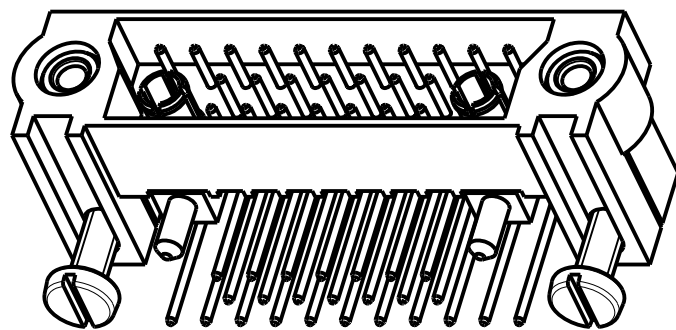
SIGNAL CONTACT:
 CURRENT RATING AT 25 $^{\circ}$ C = 3.0A MAX
 CURRENT RATING AT 85 $^{\circ}$ C = 2.2A MAX
 CONTACT RESISTANCE = 25m Ω MAX

POWER CONTACT:
 CURRENT RATING = 20A MAX
 CONTACT RESISTANCE = 6m Ω MAX

MECHANICAL:
 DURABILITY = 500 OPERATIONS

ENVIRONMENTAL:
 TEMPERATURE RANGE = -55 $^{\circ}$ C TO +125 $^{\circ}$ C

PACKING:
 TUBE
 FOR COMPLETE SPECIFICATION, SEE COMPONENT SPECIFICATION C005XX (LATEST ISSUE)



<p>www.harwin.com technical@harwin.com</p>	<p>THIS DRAWING AND ANY INFORMATION OR DESCRIPTIVE MATTER SET OUT HEREON ARE CONFIDENTIAL AND COPYRIGHT PROPERTY OF THE HARWIN GROUP AND MUST NOT BE DISCLOSED, LOANED, COPIED OR USED FOR MANUFACTURING, TENDERING OR FOR ANY OTHER PURPOSE WITHOUT THEIR WRITTEN PERMISSION.</p>	<p>TOLERANCES</p> <p>X. = ± 1mm X.X = ± 0.25mm X.XX = ± 0.10mm X.XXX = ± 0.01mm</p> <p>ANGLES = $\pm 5^{\circ}$</p> <p>UNLESS STATED</p>	<p>MATERIAL:</p> <p>SEE ABOVE</p>	<p>TITLE: JACKSCREW DATAMATE 3-ROW HORIZONTAL MALE ASSY WITH SPECIAL CONTACTS</p>	
				<p>FINISH: SEE ABOVE</p>	<p>S/AREA: mm²</p>

SB	2	16.01.14	12333
NAME	ISS.	DATE	C/NOTE
APPROVED: S.BENNETT			
CHECKED: S.FLOWER			
DRAWN: R.ADDE			
CUSTOMER REF.:			
ASSEMBLY DRG:			