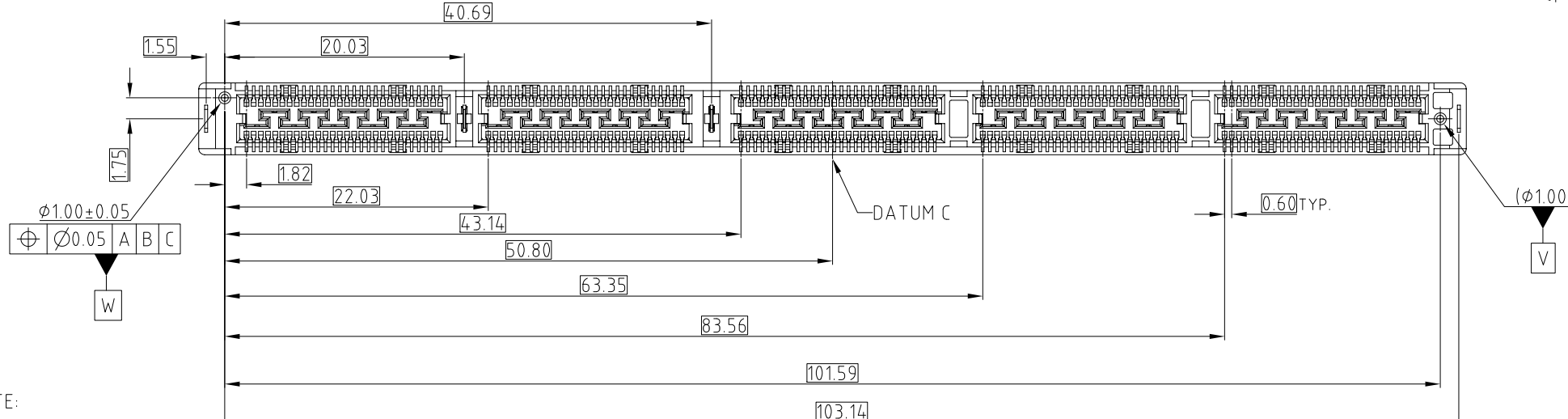
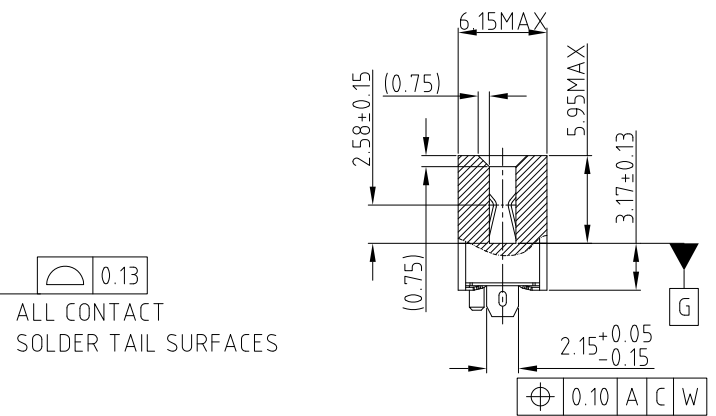
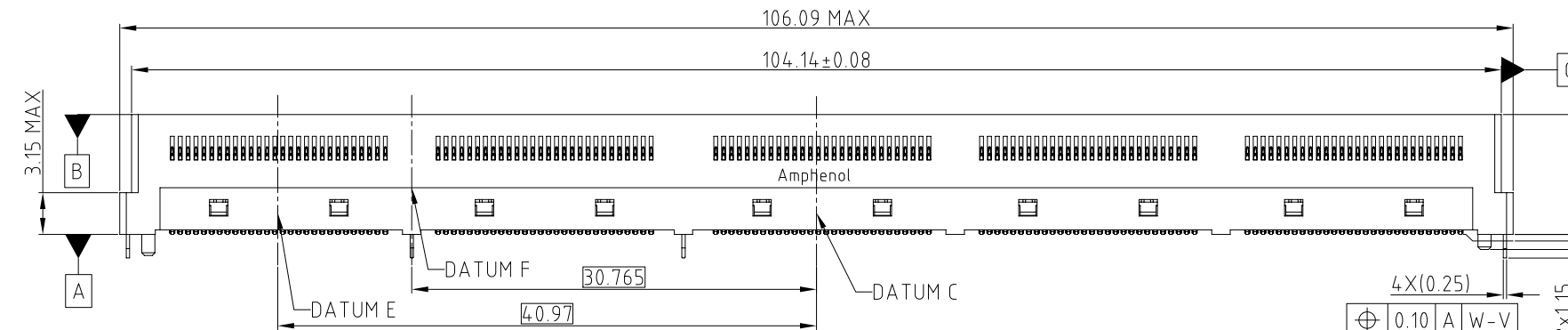
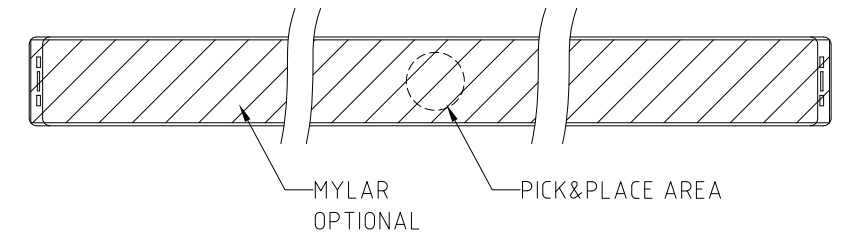
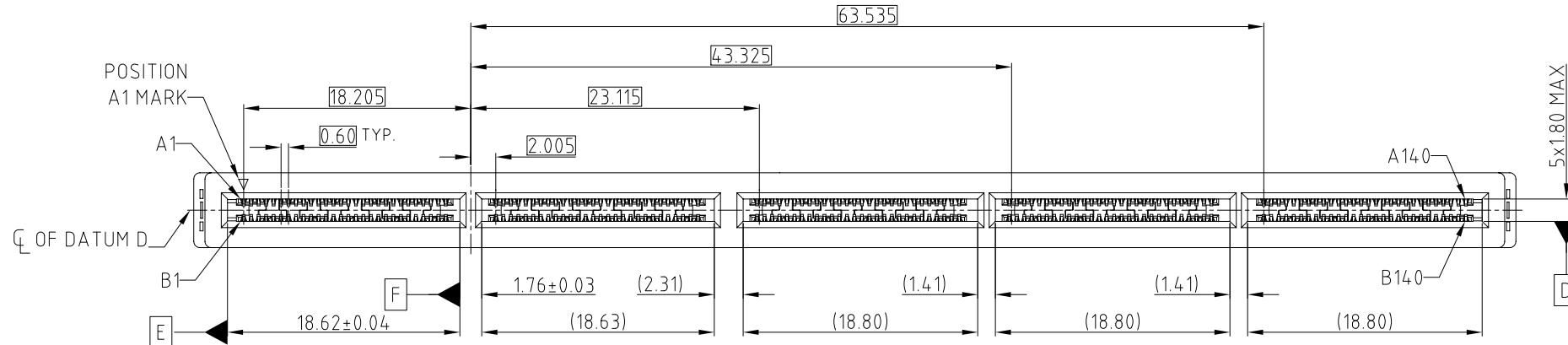


This document is the property of Amphenol Corporation and is delivered on the express condition that it is not to be disclosed, reproduced or used, in whole or in part, for manufacture or sale by anyone other than Amphenol Corporation without its prior consent, & that no right is granted to disclose or to use any information in this document.

CUSTOMER DRAWING

REVISIONS				
SYM	ECN	DESCRIPTION	DATE	APPROVED
3	CD1820	ADD PACKING	Jul.2,2019	YH
4	CD1853	STANDARDIZE THE WAFER CONSTRUCTURE	Sep.24,2019	YH
5	CD2186	UPDATED THE BOARD LOCK SPEC	Jul.03,2020	YH
6	CD2430	UPDATED DIMENSION MARK METHOD FOLLOW SFF TA 1020 V1.0	Jan.21,2021	YH



P/N SYSTEM:
ME102804010X01X

PACKING CODE | PLATING

1 SOFT TRAY W/ MYLAR	1 0.76um GOLD PLATED
2 HARD TRAY W/O MYLAR	2 0.38um GOLD PLATED
3 SOFT TRAY W/O MYLAR	3 GOLD FLASH
4 HARD TRAY W/ MYLAR	

- NOTE:
- MATERIAL:
HOUSING: HIGH TEMPERATURE THERMOPLASTIC, BLACK, UL94-V0
CONTACT: COPPER ALLOY
BOARDLOCK: COPPER ALLOY
 - FINISHED:
CONTACT: MATING AREA: Au THICKNESS PLEASE REFER TO P/N SYSTEM OVER 1.27-2.54 um NICKEL UNDERPLATED
SOLDER AREA: 1.27 um MIN TIN OVER 1.27-2.54 um NICKEL UNDERPLATED
BOARDLOCK: 1.27 um MIN TIN OVER 1.27-2.54 um NICKEL UNDERPLATED
 - ELECTRICAL PERFORMANCE:
RATED CURRENT: 1.1A/PIN UP TO 12PINS
LLCR: INITIAL 30mΩ MAX, DELTA 15mΩ MAX
INSULATION RESISTANCE: 1000MΩ MIN
 - DURABILITY: 200 CYCLES.
 - MATERIAL IS BE FULFILLED RoHS & HALOGEN FREE.
 - ORDERING PN REFER TO PN SYSTEM



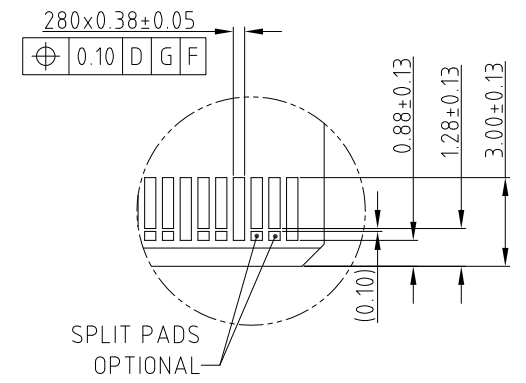
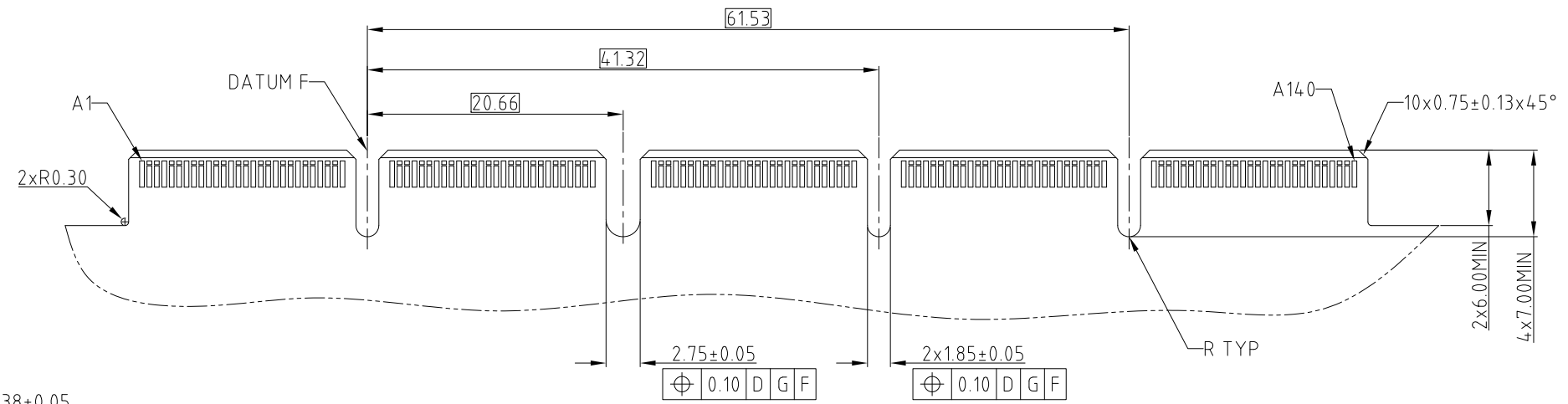
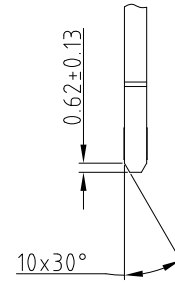
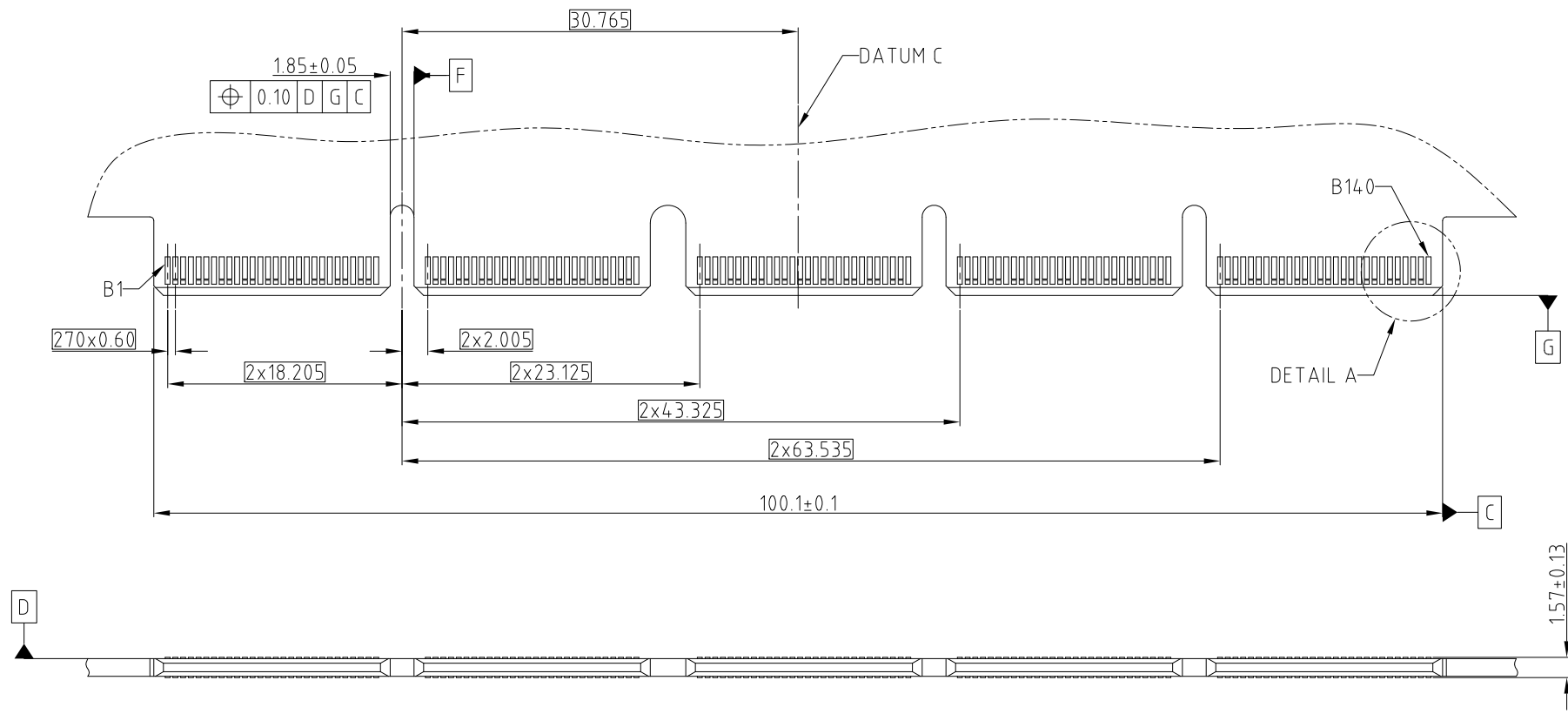
UNLESS OTHERWISE SPECIFIED TOLERANCES		APPROVAL		DATE	
U.S.	METRIC	DRAWN	Rocky	Jan.21,2021	
.X +/-	0.50	CHECKED	Ly.Yi	Jan.21,2021	
.XX +/-	0.25	APPROVED			
.XXX +/-	0.15	DRAWING FILE : INTERNAL\DRAWING\CE\C ME102804010X01X			
FRACTIONS +/-		ANGLE OF PROJECTION			
ANGLES +/-	5°				
FOR MATERIALS AND FINISHES SEE NOTES					
REMOVE SHARP EDGES					
DIMENSIONS					
U.S. INCHES					
(METRIC) (MM)					

Amphenol		
TITLE MINI COOL EDGE CONNECTOR 280P V/T 0.6MM PITCH SMT		
SIZE	DRAWING NO.	REV.
A3	C ME102804010X01X	6
SCALE	NONE	SHEET 1 OF 5

This document is the property of Amphenol Corporation and is delivered on the express condition that it is not to be disclosed, reproduced or used, in whole or in part, for manufacture or sale by anyone other than Amphenol Corporation without its prior consent, & that no right is granted to disclose or to use any information in this document.

CUSTOMER DRAWING

REVISIONS				
SYM	ECN	DESCRIPTION	DATE	APPROVED
		SEE SHEET 1		



DETAIL A
SCALE 2:1



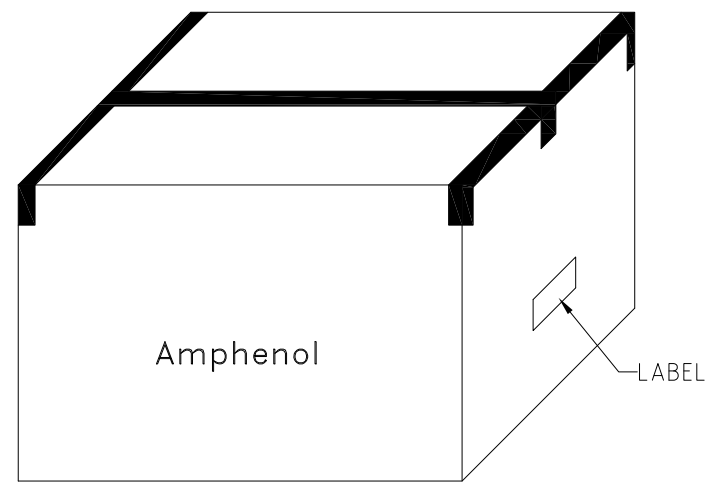
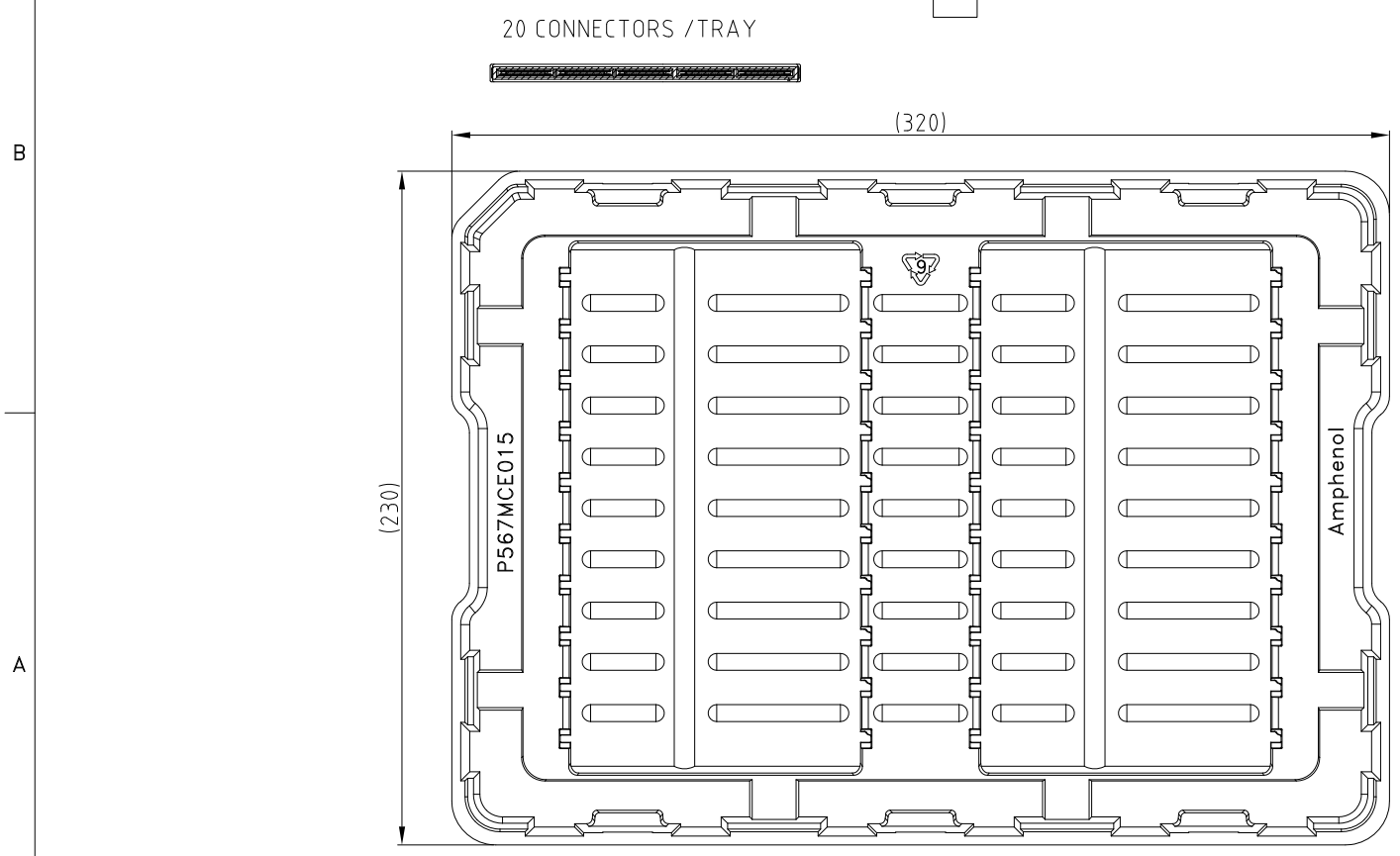
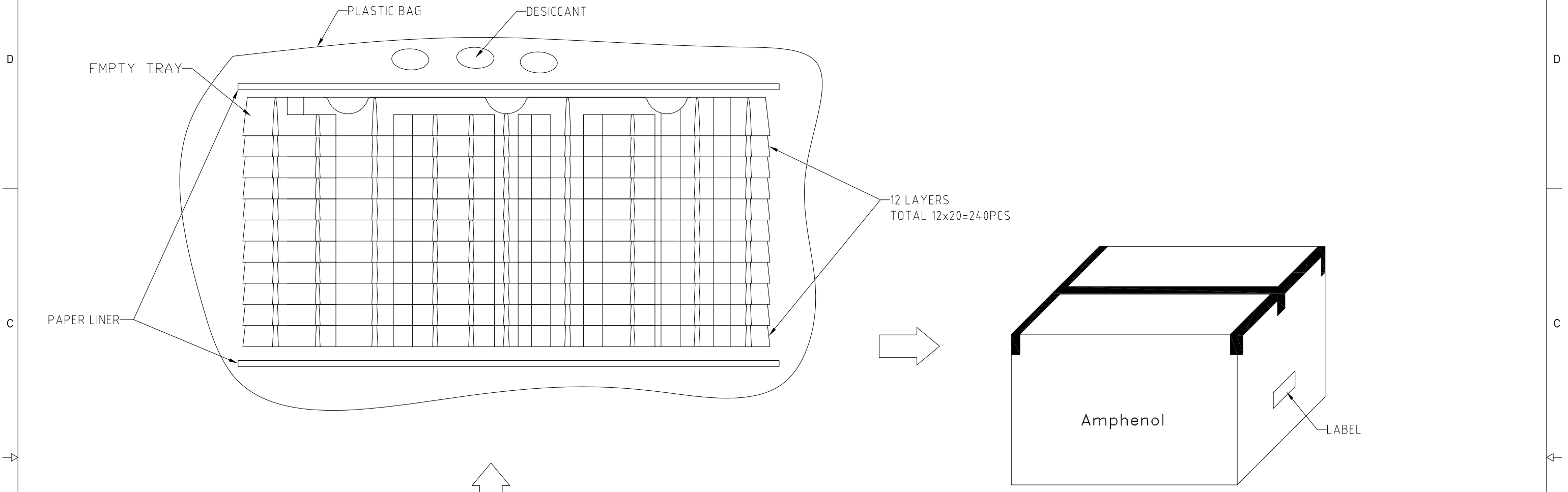
UNLESS OTHERWISE SPECIFIED TOLERANCES U.S. METRIC .X +/- .XX +/- .XXX +/- FRACTIONS +/- ANGLES +/- FOR MATERIALS AND FINISHES SEE NOTES REMOVE SHARP EDGES DIMENSIONS — U.S. — INCHES — (METRIC) (MM)	APPROVAL	DATE
	DRAWN Rocky	Jan.21,2021
	CHECKED Ly.Yi	Jan.21,2021
	APPROVED	
	DRAWING FILE : INTERNAL\DRAWING\CE\C ME102804010X01X	
	ANGLE OF PROJECTION	

Amphenol		
TITLE MINI COOL EDGE CONNECTOR 280P V/T 0.6MM PITCH SMT		
SIZE A3	DRAWING NO. C ME102804010X01X	REV. 6
SCALE	NONE	SHEET 3 OF 5

This document is the property of Amphenol Corporation and is delivered on the express condition that it is not to be disclosed, reproduced or used, in whole or in part, for manufacture or sale by anyone other than Amphenol Corporation without its prior consent, & that no right is granted to disclose or to use any information in this document.

CUSTOMER DRAWING

REVISIONS				
SYM	ECN	DESCRIPTION	DATE	APPROVED
		SEE SHEET 1		



240PCS / CARTON

PACKING FOR SOFT TRAY



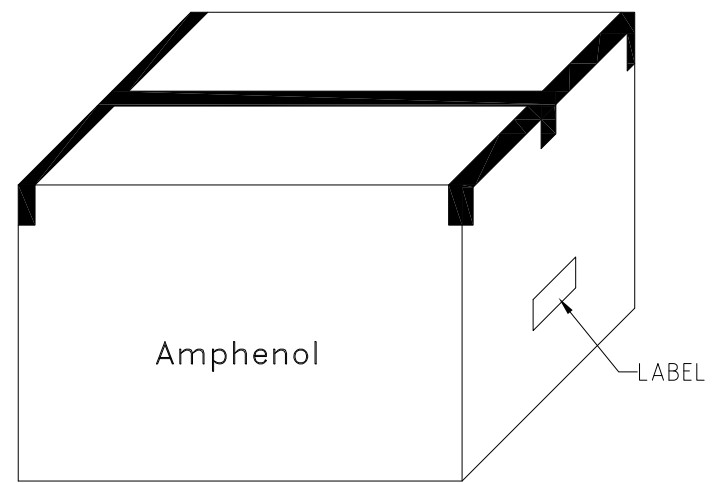
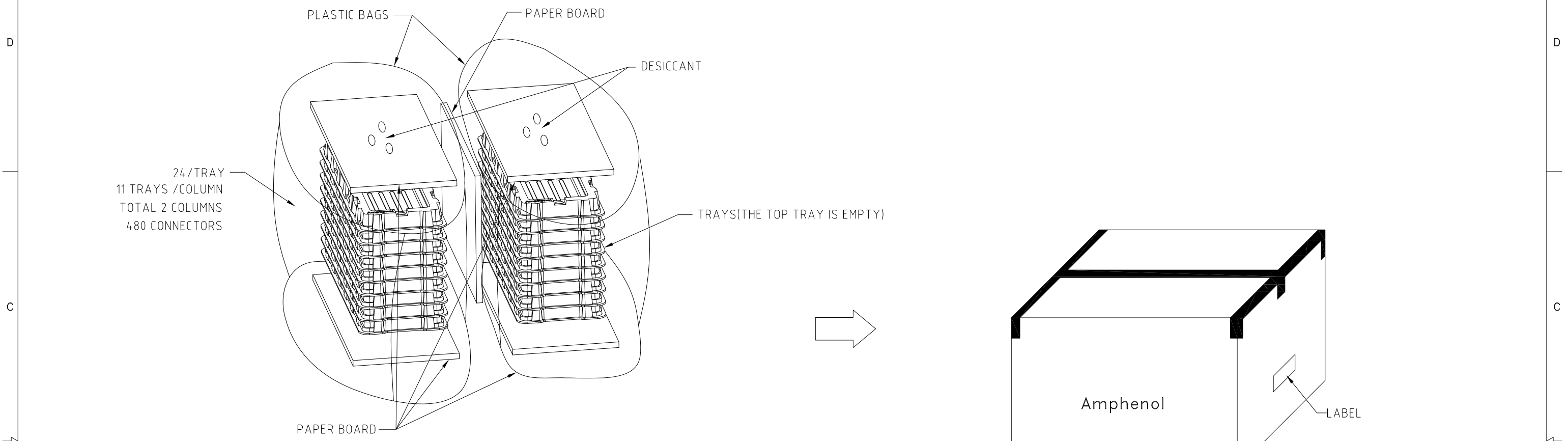
UNLESS OTHERWISE SPECIFIED TOLERANCES U.S. METRIC .X +/- .XX +/- .XXX +/- FRACTIONS +/- ANGLES +/- FOR MATERIALS AND FINISHES SEE NOTES REMOVE SHARP EDGES DIMENSIONS U.S. INCHES (METRIC) (MM)	APPROVAL		DATE
	DRAWN Rocky	Jan.21,2021	
	CHECKED Ly.Yi	Jan.21,2021	
	APPROVED		
DRAWING FILE :		INTERNAL\DRAWING\CE\C ME102804010X01X	
ANGLE OF PROJECTION			

Amphenol		
TITLE MINI COOL EDGE CONNECTOR 280P V/T 0.6MM PITCH SMT		
SIZE A3	DRAWING NO. C ME102804010X01X	REV. 6
SCALE	NONE	SHEET 4 OF 5

This document is the property of Amphenol Corporation and is delivered on the express condition that it is not to be disclosed, reproduced or used, in whole or in part, for manufacture or sale by anyone other than Amphenol Corporation without its prior consent, & that no right is granted to disclose or to use any information in this document.

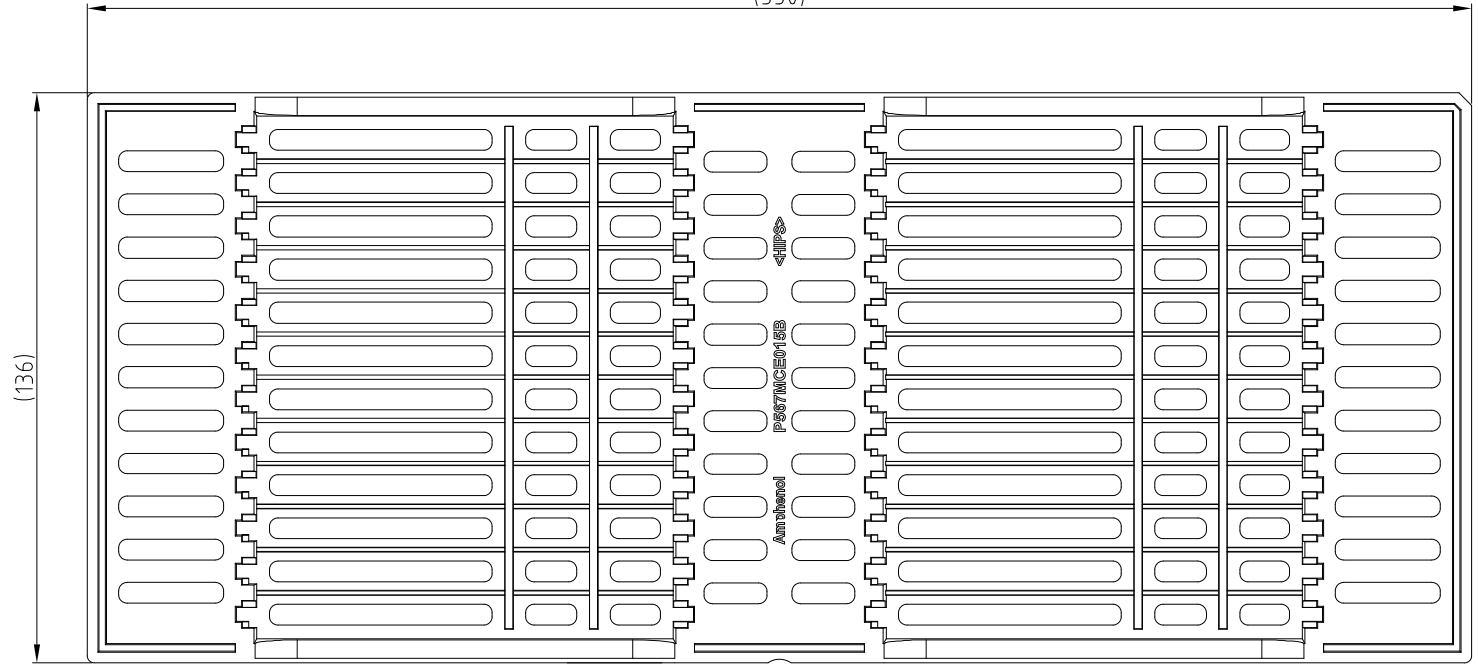
CUSTOMER DRAWING

REVISIONS				
SYM	ECN	DESCRIPTION	DATE	APPROVED
		SEE SHEET 1		



24 CONNECTORS /TRAY

(330)



480PCS /CARTON

PACKING FOR HARD TRAY



UNLESS OTHERWISE SPECIFIED TOLERANCES

.X	+/-	
.XX	+/-	
.XXX	+/-	
FRACTIONS	+/-	SEE SHEET 1
ANGLES	+/-	

FOR MATERIALS AND FINISHES SEE NOTES

REMOVE SHARP EDGES

DIMENSIONS

U.S.	INCHES
(METRIC)	(MM)

APPROVAL		DATE
DRAWN	Rocky	Jan.21,2021
CHECKED	Ly.Yi	Jan.21,2021
APPROVED		
DRAWING FILE :		
INTERNAL\DRAWING\CE\C ME102804010X01X		
ANGLE OF PROJECTION		

Amphenol		
TITLE		
MINI COOL EDGE CONNECTOR		
280P V/T 0.6MM PITCH SMT		
SIZE	DRAWING NO.	REV.
A3	C ME102804010X01X	6
SCALE	NONE	SHEET 5 OF 5