



SP6T Electromechanical Relay Normally Open Switch,  
DC to 18 GHz, up to 90W, 24V, TTL, SMA

Electromechanical Relay Switches Technical Data Sheet

PE71S6375

**Features**

- Single Pole Six Throw
- DC to 18 GHz Frequency Range
- Isolation greater than 80 dB typical
- 2M Cycle Min Operating Life
- +24 Volt DC
- 90 Watt average Power
- Normally Open Actuator
- TTL Control
- -25 to +70°C Operating Temperature
- Insertion Loss as low as 0.15 dB Max
- VSWR as low as 1.2:1 max
- SMA Female RF connectors
- 9 Pin D-Sub Connector for DC Control
- Hot Switching Capability - Consult Factory
- S-Parameter Data available upon request

**Applications**

- High Performance Relay Switch
- Military Communications
- Communications Systems
- Test & Measurement

**Description**

The PE71S6375 is a Single Pole Six Throw (SP6T) electromechanical relay switch that operates across a wide frequency range of DC to 18 GHz and can handle up to 90 Watts of CW input power in a break before make condition. The design features a Normally Open actuator and is rated for 2M life cycles for high reliability operation. Impressive performance includes insertion loss less than 0.15 dB typical and isolation greater than 80 dB typical. The Normally Open TTL controlled actuator has a +24 Vdc bias voltage, and operates over a temperature range of -25°C to +70°C. The rugged and compact package assembly supports SMA Female connectors and a 9 Pin D-Sub Connector for DC Control. And for highly reliable operation, the model is guaranteed to meet MIL-STD-202 environmental test conditions for shock and random vibration.

**Electrical Specifications**

Switch Type	SP6T
Actuator Type	Normally Open
Switching Sequence	Break before Make
Actuator Options	TTL Logic
TTL Control	on: 2.4 to 5 Volts off: 0 to 0.8 Volts

Description	Minimum	Typical	Maximum	Units
Frequency Range	DC		18	GHz
Impedance		50		Ohms
Operating Voltage	22	24	26	Volts
Actuating Set Current @ 24 Volts		110		mA
VSWR		1.2:1	1.4:1	
Insertion Loss		0.15	0.4	dB
Isolation	80	80		dB
Input Power (CW)			60	Watts

Click the following link (or enter part number in "SEARCH" on website) to obtain additional part information including price, inventory and certifications: [SP6T Electromechanical Relay Normally Open Switch, DC to 18 GHz, up to 90W, 24V, TTL, SMA PE71S6375](#)



SP6T Electromechanical Relay Normally Open Switch,  
DC to 18 GHz, up to 90W, 24V, TTL, SMA

## Electromechanical Relay Switches Technical Data

PE71S6375

Switching Time	20	ms Max
----------------	----	--------

### Performance by Frequency

Description	F1	F2	F3	F4	F5	Units
Frequency Range	DC to 6	6 to 12	12 to 18			GHz
VSWR, Max	1.2:1	1.3:1	1.4:1			
Insertion Loss, Max	0.15	0.25	0.4			dB
Isolation, Min	80	80	80			dB
Input Power, Typ (CW)	90	75	60			Watts

### Mechanical Specifications

#### Size

Body Material and Plating	Aluminum
Package Type	Connectorized
Operating Life	2,000,000 Cycles

#### Connectors

RF Connector Type	SMA Female
RF Connector Contact Material and Plating	Beryllium Copper, Gold
RF Connector Body Material and Plating	Aluminum, Nickel
Control Connector	15-Pin D-Subminiatur

### Environmental Specifications

#### Temperature

Operating Range	-25 to +70 deg C
Storage Range	-55 to +100 deg C

Shock	MIL-STD-202 Method 213, Cond. D 500G Non Operating
Vibration	MIL-STD-202 Method 214, Cond. D 10G RMS Non Operating

**Compliance Certifications** (see [product page](#) for current document)

### Plotted and Other Data

Notes:

Click the following link (or enter part number in "SEARCH" on website) to obtain additional part information including price, inventory and certifications: [SP6T Electromechanical Relay Normally Open Switch, DC to 18 GHz, up to 90W, 24V, TTL, SMA PE71S6375](#)

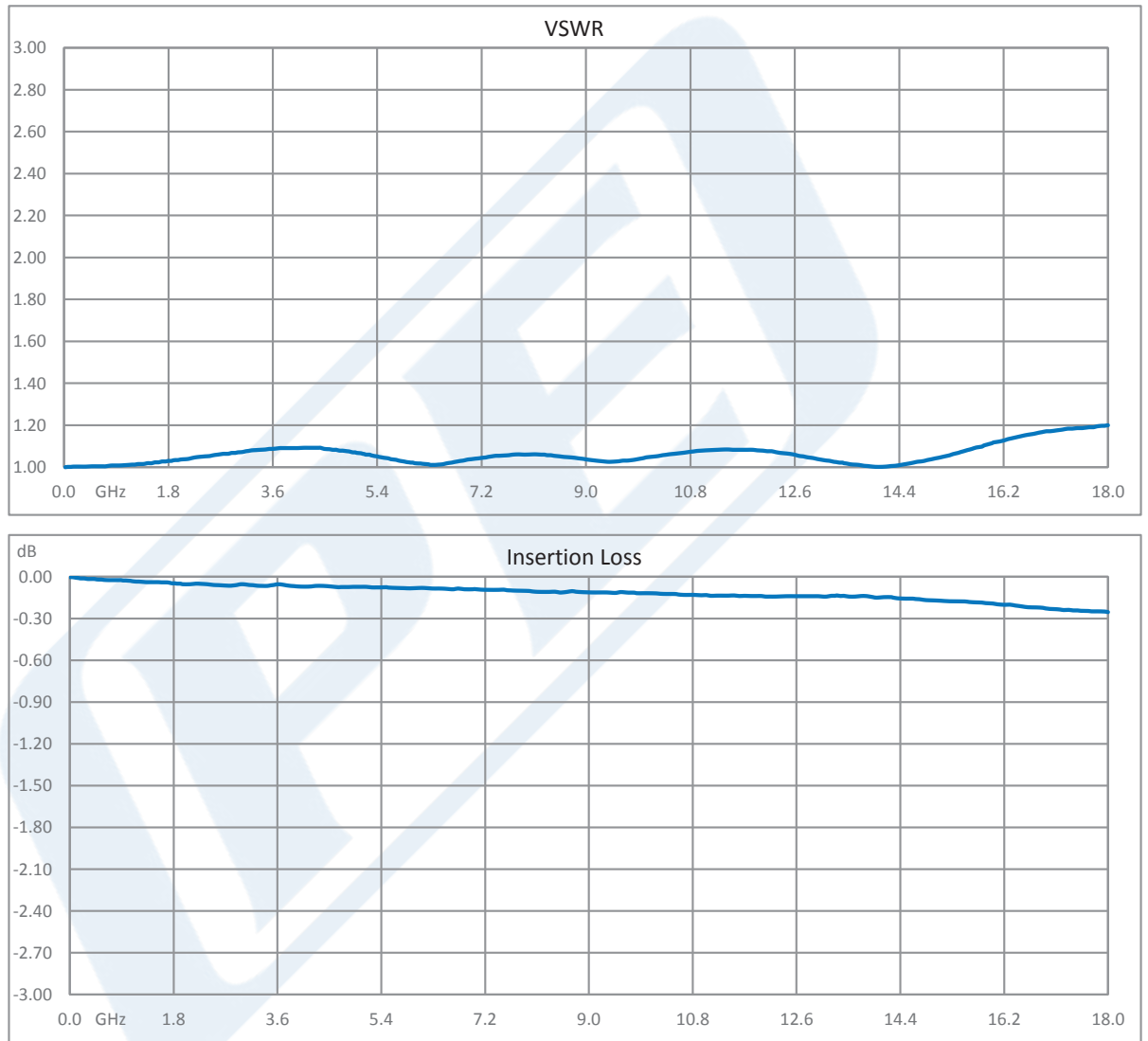


SP6T Electromechanical Relay Normally Open Switch,  
DC to 18 GHz, up to 90W, 24V, TTL, SMA

Electromechanical Relay Switches Technical Data

PE71S6375

Typical Performance Data



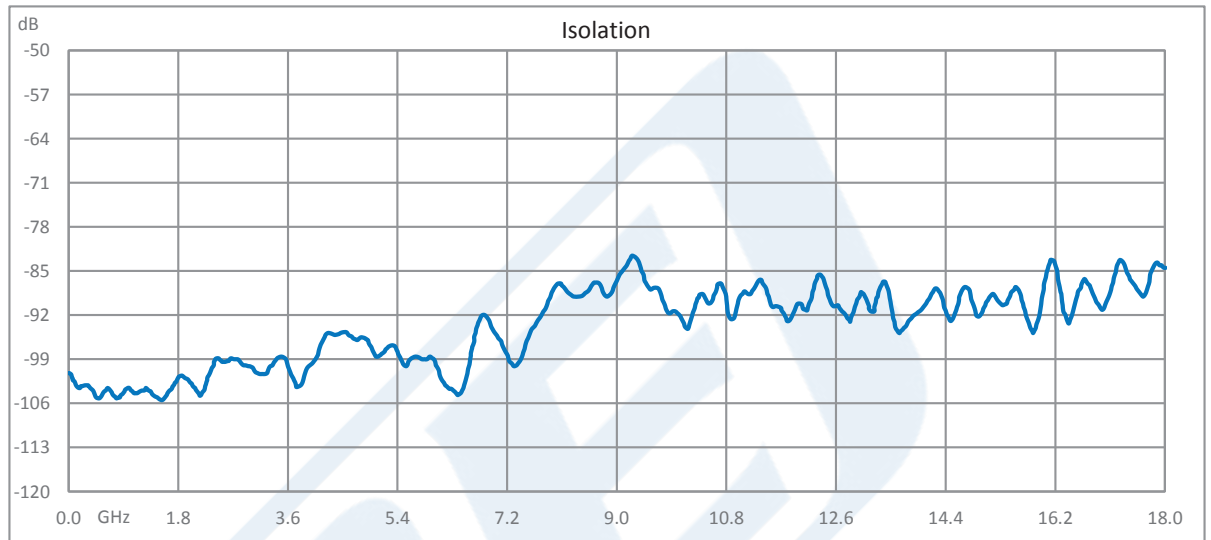
Click the following link (or enter part number in "SEARCH" on website) to obtain additional part information including price, inventory and certifications: [SP6T Electromechanical Relay Normally Open Switch, DC to 18 GHz, up to 90W, 24V, TTL, SMA PE71S6375](#)



SP6T Electromechanical Relay Normally Open Switch,  
DC to 18 GHz, up to 90W, 24V, TTL, SMA

## Electromechanical Relay Switches Technical Data

PE71S6375



Click the following link (or enter part number in "SEARCH" on website) to obtain additional part information including price, inventory and certifications: [SP6T Electromechanical Relay Normally Open Switch, DC to 18 GHz, up to 90W, 24V, TTL, SMA PE71S6375](#)

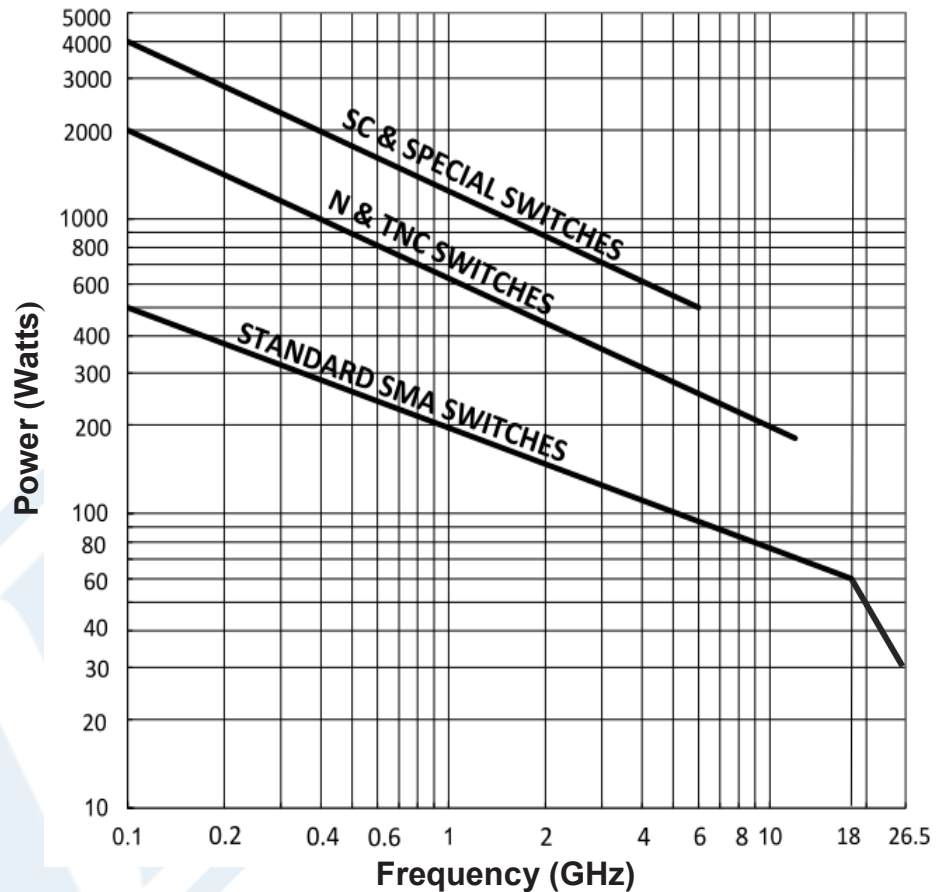


SP6T Electromechanical Relay Normally Open Switch,  
DC to 18 GHz, up to 90W, 24V, TTL, SMA

Electromechanical Relay Switches Technical Data

PE71S6375

**Power Handling vs. Frequency & Connector Type**



**Environmental and Test Conditions:**

- Ambient temperature of 25°C or less
- Altitude: Sea Level
- Load VSWR: 1.20:1 max.
- Cold Switching

Click the following link (or enter part number in "SEARCH" on website) to obtain additional part information including price, inventory and certifications: [SP6T Electromechanical Relay Normally Open Switch, DC to 18 GHz, up to 90W, 24V, TTL, SMA PE71S6375](#)



SP6T Electromechanical Relay Normally Open Switch,  
DC to 18 GHz, up to 90W, 24V, TTL, SMA

## Electromechanical Relay Switches Technical Data

PE71S6375

SP6T Electromechanical Relay Normally Open Switch, DC to 18 GHz, up to 90W, 24V, TTL, SMA from Pasternack Enterprises has same day shipment for domestic and International orders. Our RF, microwave and millimeter wave products maintain a 99.4% availability and are part of the broadest selection in the industry.

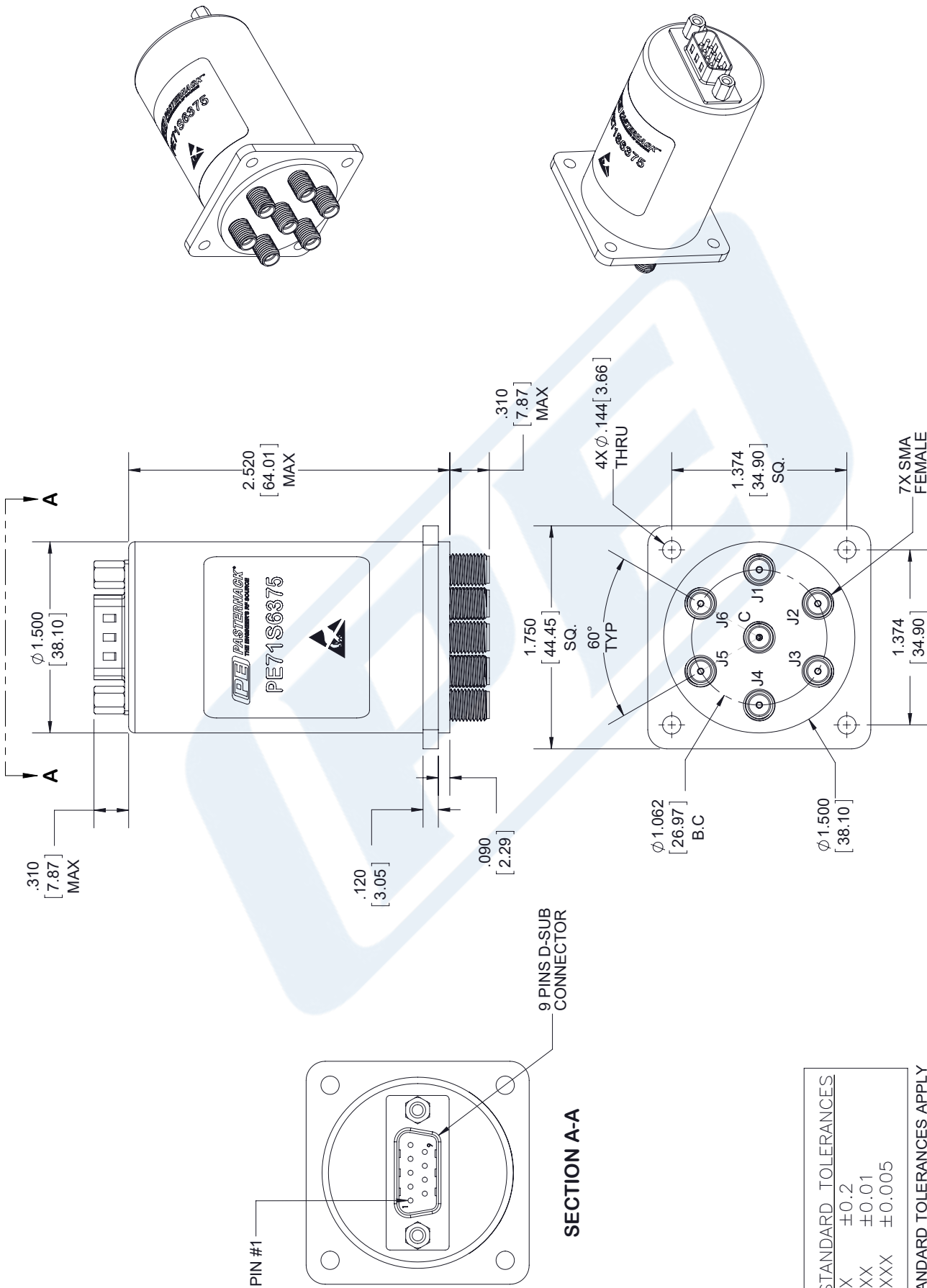
Click the following link (or enter part number in "SEARCH" on website) to obtain additional part information including price, inventory and certifications: [SP6T Electromechanical Relay Normally Open Switch, DC to 18 GHz, up to 90W, 24V, TTL, SMA PE71S6375](https://www.pasternack.com/sp6t-electromechanical-relay-normally-open-switch-18-ghz-up-to-90w-24v-ttl-sma-pe71s6375)

URL: <https://www.pasternack.com/sp6t-electromechanical-relay-normally-open-switch-18-ghz-60w-24v-ttl-sma-pe71s6375-p.aspx>

The information contained in this document is accurate to the best of our knowledge and representative of the part described herein. It may be necessary to make modifications to the part and/or the documentation of the part, in order to implement improvements. Pasternack reserves the right to make such changes as required. Unless otherwise stated, all specifications are nominal. Pasternack does not make any representation or warranty regarding the suitability of the part described herein for any particular purpose, and Pasternack does not assume any liability arising out of the use of any part or documentation.

# PE71S6375 CAD Drawing

SP6T Electromechanical Relay Normally Open Switch,  
DC to 18 GHz, up to 90W, 24V, TTL, SMA



STANDARD TOLERANCES	
.X	$\pm 0.2$
.XX	$\pm 0.01$
.XXX	$\pm 0.005$

\*STANDARD TOLERANCES APPLY ONLY TO DIMENSIONS IN INCHES

**PE PASTERNAK**  
THE ENGINEER'S RF SOURCE  
Pasternack Enterprises, Inc.  
P.O. Box 16759 | Irvine | CA | 92623

Phone: (949) 261-1920 | Fax: (949) 261-7451  
Website: [www.pasternack.com](http://www.pasternack.com) | E-Mail: [sales@pasternack.com](mailto:sales@pasternack.com)

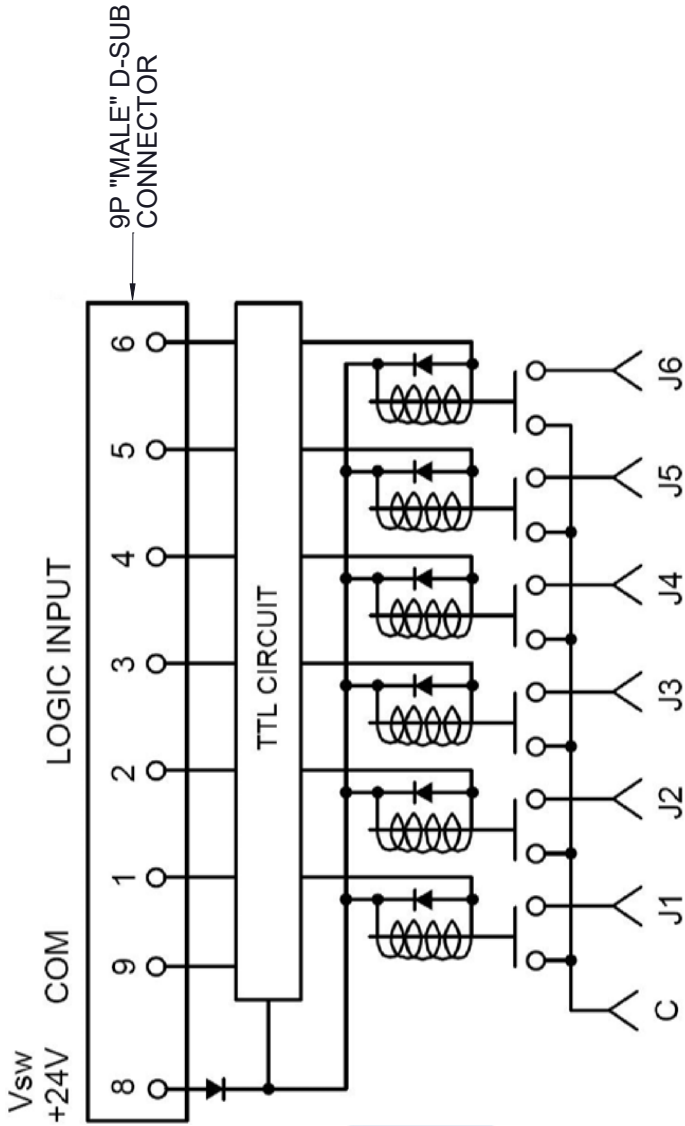
DWG TITLE  
**PE71S6375**

NOTES:  
1. UNLESS OTHERWISE SPECIFIED ALL DIMENSIONS ARE NOMINAL.  
2. ALL SPECIFICATIONS ARE SUBJECT TO CHANGE WITHOUT NOTICE AT ANY TIME  
3. DIMENSIONS ARE IN INCHES [mm].

CAGE CODE	53919
SCALE	N/A
SIZE	A
CAD FILE	090817
7361	

# PE71S6375 CAD Drawing

SP6T Electromechanical Relay Normally Open Switch,  
DC to 18 GHz, up to 90W, 24V, TTL, SMA



**SCHEMATIC SHOWN IN NORMALLY OPEN POSITION**

TERMINALS LOGIC INPUT PIN ASSIGNMENT	RF PATH					
	J1	J2	J3	J4	J5	J6
1	ON	OFF	OFF	OFF	OFF	OFF
2	OFF	ON	OFF	OFF	OFF	OFF
3	OFF	OFF	ON	OFF	OFF	OFF
4	OFF	OFF	OFF	ON	OFF	OFF
5	OFF	OFF	OFF	OFF	ON	OFF
6	OFF	OFF	OFF	OFF	OFF	ON

PIN 9: COM  
PIN 8: Vsw +24VDC

STANDARD TOLERANCES
.X ±0.2
.XX ±0.01
.XXX ±0.005

\*STANDARD TOLERANCES APPLY ONLY TO DIMENSIONS IN INCHES



Pasternack Enterprises, Inc.  
P.O. Box 16759 | Irvine | CA | 92623  
Phone: (949) 261-1920 | Fax: (949) 261-7451  
Website: www.pasternack.com | E-Mail: sales@pasternack.com

DWG TITLE  
PE71S6375

CAGE CODE 53919

NOTES:  
1. UNLESS OTHERWISE SPECIFIED ALL DIMENSIONS ARE NOMINAL.  
2. ALL SPECIFICATIONS ARE SUBJECT TO CHANGE WITHOUT NOTICE AT ANY TIME  
3. DIMENSIONS ARE IN INCHES [mm].

CAD FILE 090817 SCALE N/A SIZE A 7361