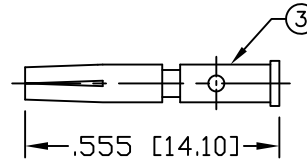
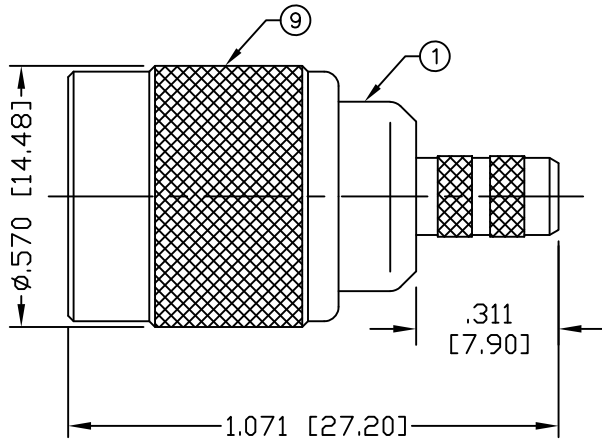
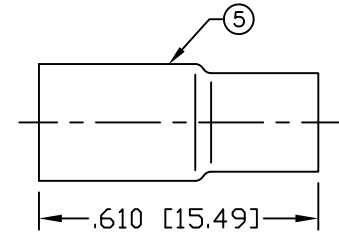


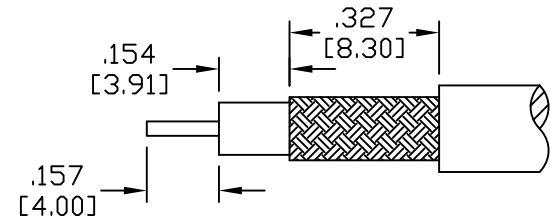
PART NO.		<b>RP-1202-C3</b>		
REV	DESCRIPTION	DWN	DATE	APPROVED
-	ENGINEERING RELEASE	CZ	11/05/21	JDMc



RECOMMENDED CRIMP DIE: .068"



RECOMMENDED CRIMP DIE: .213"



RECOMMENDED STRIPPING DIMENSIONS

**SPECIFICATIONS:**

IMPEDANCE: 50 Ohms  
 FREQUENCY RANGE: 0-7 GHz  
 WORKING VOLTAGE: 500 V rms @ sea level  
 INSULATION RESISTANCE: 5k M ohms min.  
 TEMPERATURE RANGE: -65°C TO +85°C  
 FOR RG-55, 55A, 55B, 142, 142A, 142B, 223 & 400/U,  
 ALPHA 9055, 9055B, 9223, BELDEN 8219, 83242 & 84142

10	COUPLING NUT	1	BRASS	NICKEL
9	WASHER	1	BRASS	NICKEL
8	RING	1	DELTRIN	NATURAL
7	GASKET	1	SILICONE	RED
6	FERRULE STUD	1	BRASS	NICKEL
5	FERRULE	1	BRASS	NICKEL
4	RETAINING RING	1	Be.Cu.	NATURAL
3	CONTACT	1	PHOSPHOR BRONZE	GOLD
2	INSULATOR	1	PTFE	NATURAL
1	BODY	1	BRASS	NICKEL
#	DESCRIPTION	QTY	MATERIAL	FINISH

CUSTOMER OUTLINE DRAWING	
ALL DIMENSIONS ARE REFERENCE ONLY	
UNLESS OTHERWISE SPECIFIED: DIMENSIONS ARE IN INCHES AND [MILLIMETERS]	
DRAWN C. ZUÑIGA	11/05/21
CHECKED	
ORJ DRAWN C. ZUÑIGA	11/05/21

**RoHS COMPLIANT**

PROPRIETARY AND CONFIDENTIAL

THIS DRAWING CONTAINS INFORMATION PROPRIETARY TO RF INDUSTRIES, ANY UNAUTHORIZED USE OF THIS DRAWING IS EXPRESSLY PROHIBITED WITHOUT WRITTEN PERMISSION FROM RF INDUSTRIES. ANY VIOLATION IS PUNISHABLE UNDER U.S. COPYRIGHT LAWS.

RFINDUSTRIES.COM  
 7610 MIRAMAR RD.  
 SAN DIEGO, CA 92126  
 (858) 549-6340  
 DIVISION OF RF INDUSTRIES, LTD. (858) 549-6345 FAX

**RFconnectors**

**TNC PLUG, CRIMP**  
 REVERSE POLARITY

DWG # **RP-1202-C3**

CABLE GROUP C3	CONTROL # 001560	SCALE NTS	FORMAT A	SHEET 1 OF 1	REVISION -
-------------------	---------------------	--------------	-------------	-----------------	---------------