

PART NAME: KNOB

SCALE: 1:1

DATE: 9/6/77

DR. BY HD



DESIGNERS & MANUFACTURERS OF KNOBS, HANDLES, CASES & CUSTOM PLASTIC COMPONENTS

P/N 0066

THIS DRAWING IS THE PROPERTY OF DAVIES MOLDING COMPANY. IS SUBMITTED SOLELY AS A DESIGN OR ENGINEERING PROJECT. WE ACCEPT NO RESPONSIBILITY WHATSOEVER FOR THE PRACTICAL APPLICATION OF THE PIECES MADE TO THIS DESIGN.

DO NOT SCALE DRAWING

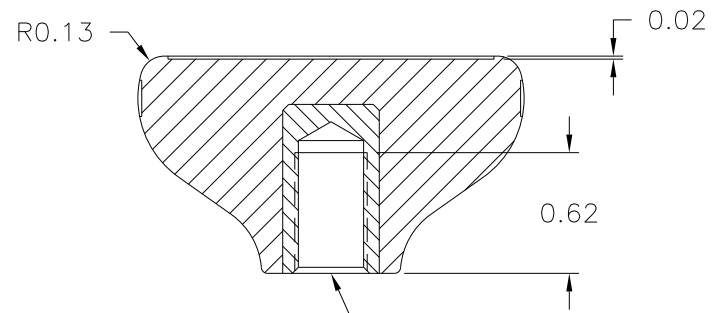
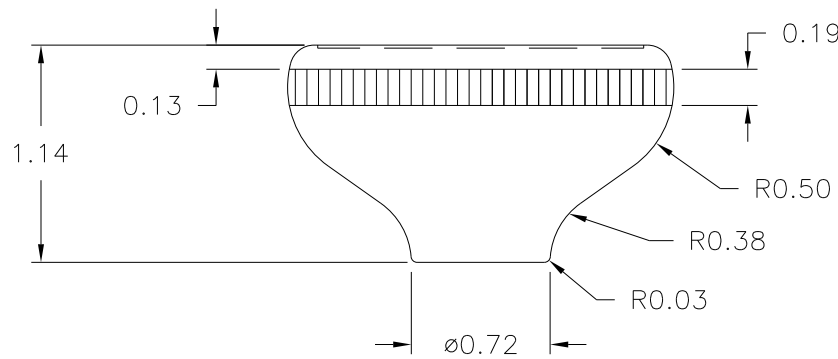
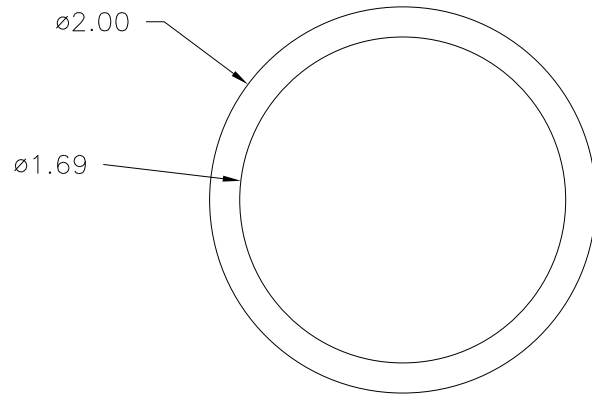
M^{NO.} 0065

CAVITY 0065

PLUNGER 0066

PIN 0065-A

INSERT I0406



3/8-24 UNF-2B THREADED I0406, STEEL, ZINC PLATED

MATERIAL: #4311 PLENCO PHENOLIC
COLOR: BLACK

TOLERANCES: UNLESS OTHERWISE SPECIFIED	DO NOT SCALE DRAWING			
DECIMALS: X.XXX ± .005 X.XX ± .015	MM: X.XX ± 0.15MM X.X ± 0.4MM	-	DWG.UPDATED	HD 8/19/97
FRACTIONS ± 1/64	ANG. ± 1°	-	CAD/REDRAWN	HD 9/15/94
CHANGES				