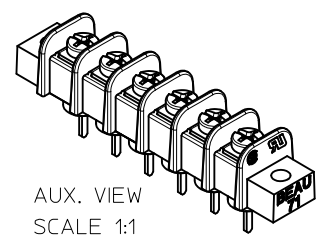
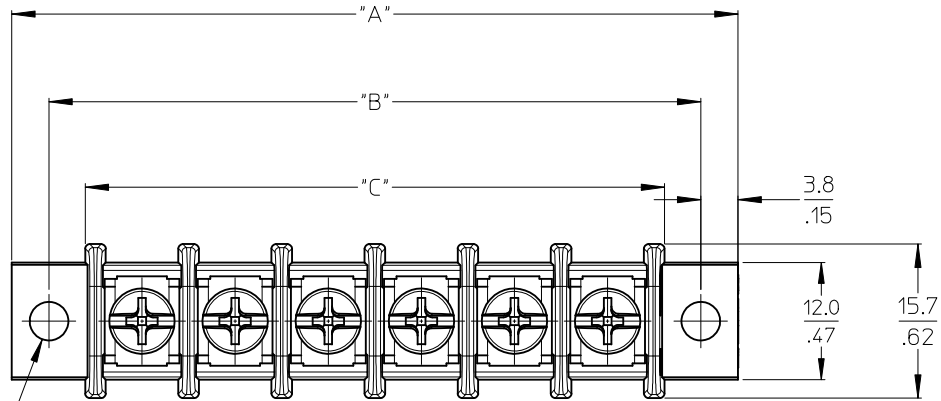
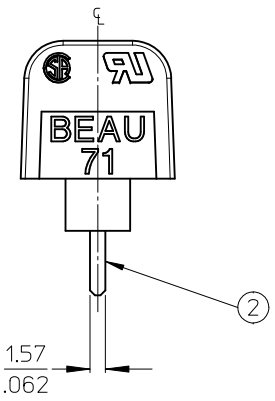
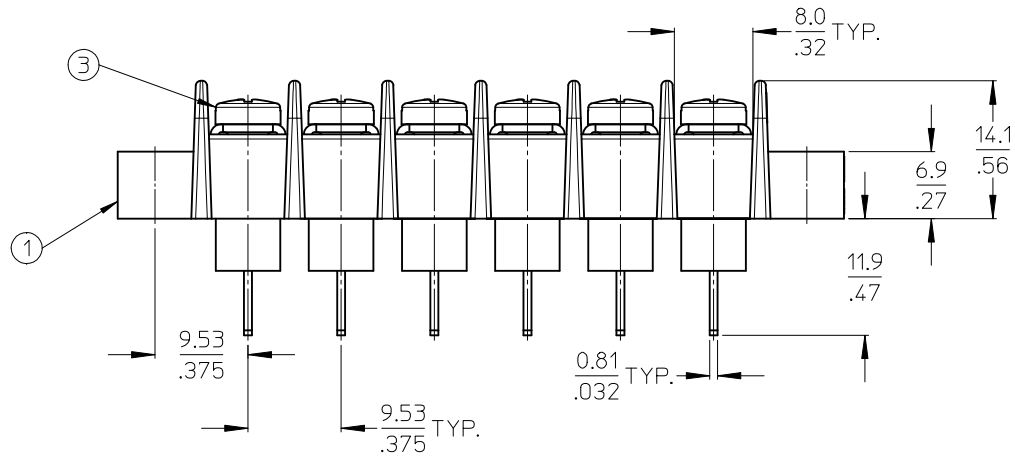


MATERIAL NUMBER (OPT -49-50)	MATERIAL NUMBER (OPT -49)	# OF CIRC. XX	DIM. "A"	DIM. "B"	DIM. "C"
	387198540	2	40.1 (1.59)	28.58 (1.125)	21.1 (0.83)
F 387198624	387198176	3	49.6 (1.96)	38.10 (1.500)	30.7 (1.21)
	387198539	4	59.2 (2.34)	47.63 (1.875)	40.2 (1.58)
	387198260	5	68.7 (2.71)	57.15 (2.250)	49.7 (1.96)
	387198436	6	78.2 (3.09)	66.68 (2.625)	59.2 (2.33)
	387198258	7	87.7 (3.46)	76.20 (3.000)	66.8 (2.71)
	387198378	8	97.3 (3.84)	85.73 (3.375)	78.3 (3.08)
E 387198235	9	106.8 (4.21)	95.25 (3.750)	87.8 (3.46)	
	387198239	10	116.3 (4.59)	104.78 (4.125)	97.3 (3.83)
	387198535	11	125.8 (4.96)	114.30 (4.500)	106.9 (4.21)
	387198566	12	135.4 (5.34)	123.83 (4.875)	116.4 (4.58)
	387198439	13	144.9 (5.71)	133.35 (5.250)	125.9 (4.96)



4 OPT -49-50 SCREW



- NOTES:
 1. MATERIAL: SEE TABLE
 2. FINISHES: SEE TABLE
 3. PRODUCT SPECIFICATION: NOT REQUIRED
 4. XX REFERS TO THE NUMBER OF CIRCUITS
 5. ROHS COMPLIANT.

ITEM	QTY	DESCRIPTION	MATERIAL	FINISH
4	XX	6-32 PHSL SCREW W/WASHER (OPT -49-50)	BRASS	NICKEL PLATE
3	XX	6-32 BHD PHIL-SLOTTED SCREW (OPT -49)	BRASS	NICKEL PLATE
2	XX	TERMINAL WW, 6-32	BRASS	TIN PLATE
1	1	SR BTS INSUL MONTG EV	(C) POLYESTER (PBT)	BLACK

UPDATE CHART W/ROHS PINS EC NO: WNA2010-0763 DRAWN: JENC INAS 2010/07/05 CHKD: CLYORK 2010/07/05 APPR: JMACNEIL 2010/07/21	QUALITY SYMBOLS	GENERAL TOLERANCES (UNLESS SPECIFIED)	DIMENSION STYLE	SCALE	DESIGN UNITS	THIRD ANGLE PROJECTION
	▼=0 ▽=0	4 PLACES ± --- ± --- 3 PLACES ± --- ± .005 2 PLACES ± 0.13 ± .01 1 PLACE ± 0.3 ± --- ANGULAR ± 2 °	MM/IN	2:1	INCH	
		DRAFT WHERE APPLICABLE MUST REMAIN WITHIN DIMENSIONS	DRAWN BY: JENC INAS CHECKED BY: CYORK APPROVED BY: JMACNEIL	DATE: 2007/11/02 DATE: 2007/11/02 DATE: 2007/11/02	TITLE: 9.53/.375 LOW PROF. BTS WITH SOLID MOUNTING ENDS (713XX-E-49-50)	
			MATERIAL NO.	DOCUMENT NO.	MOLEX INCORPORATED SD-38719-009	