

RECOMMENDED P.C. BOARD LAYOUT: COMPONENT SIDE
 .070/(1.78) MAX. THICK P. C. BOARD
 VIEWED FROM COMPONENT SIDE

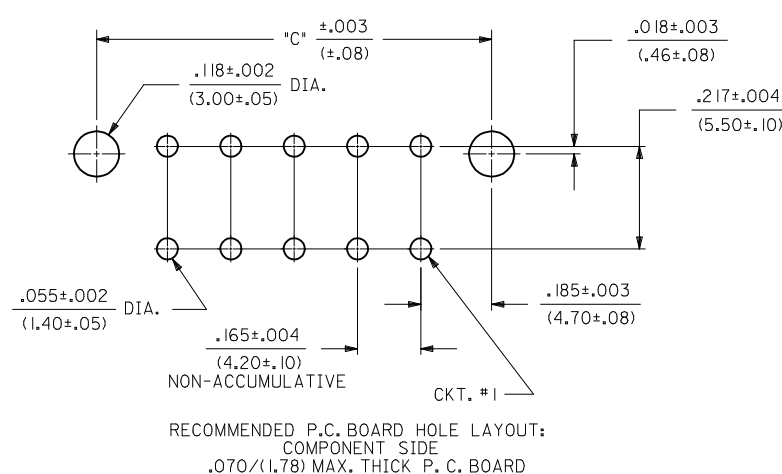
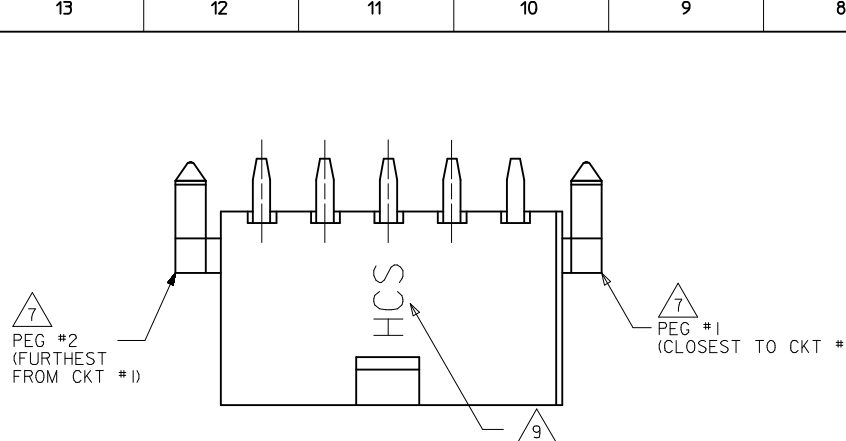
- NOTES:
- MATERIALS:
 HOUSING:
 1=NYLON 6/6, UL94 V-2, COLOR: NATURAL
 2=NYLON 6/6, UL94 V-0, COLOR: NATURAL
 TERMINALS:
 COPPER ALLOY
 - TERMINAL PLATING:
 228=.000030/(0.00076) MIN. SELECT GOLD AND.000100/(0.00254) MIN.
 SELECT MATTE TIN OVER .000050/(0.00127) MIN. NICKEL OVERALL.
 222=.000100/(0.00254) MIN. MATTE TIN OVER .000050/(0.00127) MIN. NICKEL.
 - PRODUCT SPECIFICATION: PS-44476-001
 - PACKAGING:
 DUAL ROW PER PK-5566-001
 SINGLE ROW PER PK-5566-002
 - PART MATES WITH MINI-FIT JR. RECEPTACLE NO. 5557.
 - PARTS ARE NOT TO BE MATED OR UN-MATED WHILE CIRCUITS ARE LIVE.
 - SEE CHART ON SHEET 3 FOR PARTS WITH PEGS REMOVED.
 - RIB INDICATES CIRCUIT NO. 1.
 - PARTS WILL HAVE "HCS" MARKING.
 - PART IS NOT DESIGNED FOR CURRENT SHARING.
 - PART CONFORMS TO CLASS "B" REQUIREMENTS OF COSMETIC SPECIFICATION PS-45499-002.
 - THIS DIMENSION IS .490/(12.45) FOR 3 CIRCUIT PARTS.

SEE SHEET 2 FOR 2 THRU 24 CIRCUIT DUAL ROW
 SEE SHEET 3 FOR OPTIONS

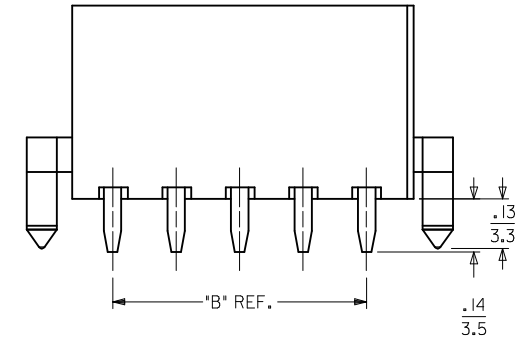
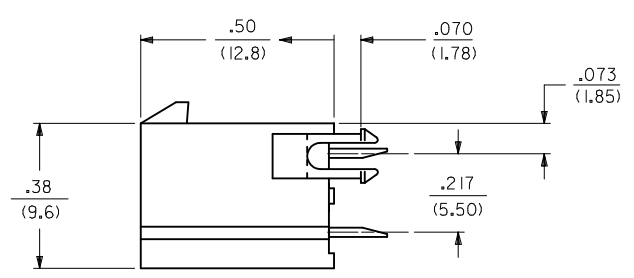
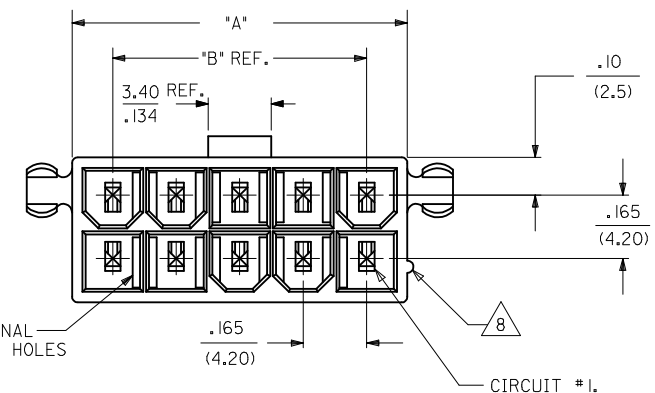
CKT SIZE	DIM A	DIM B
3	.543 (13.80)	.331 (8.40)
4	.709 (18.00)	.496 (12.60)
5	.874 (22.20)	.661 (16.80)
6	1.039 (26.40)	.827 (21.00)
7	1.205 (30.60)	.992 (25.20)
8	1.370 (34.80)	1.157 (29.40)
9	1.535 (39.00)	1.323 (33.60)
10	1.701 (43.20)	1.488 (37.80)
11	1.866 (47.40)	1.654 (42.00)
12	2.031 (51.60)	1.819 (46.20)

CHANGE PLATING EC NO: UCP2012-1560 DRVN: NGUYEN 2012/01/05 CHKD: JELL 2012/01/05 APPR: FSMITH 2012/02/02	QUALITY SYMBOLS ▽=0 ▽=0 ▽=0	GENERAL TOLERANCES (UNLESS SPECIFIED)		DIMENSION STYLE IN/MM		SCALE 4:1	DESIGN UNITS METRIC	THIRD ANGLE PROJECTION		
		4 PLACES ± --- ± --- 3 PLACES ± --- ± .38 2 PLACES ± 0.15 ± --- 1 PLACE ± --- ± ---		DRAWN BY DATE POLGAR 2001/12/03		CHECKED BY DATE BANDURA 2001/12/06		VERT. HEADER ASSEMBLY, SELECTIVELY LOADED HCS, MINI-FIT JR.SERIES		
		ANGULAR ± 1/2°		APPROVED BY DATE FSMITH 2012/02/02		MOLEX INCORPORATED MATERIAL NO. DOCUMENT NO. SD-44472-001				
		DRAFT WHERE APPLICABLE MUST REMAIN WITHIN DIMENSIONS		SEE CHART					SHEET NO. 1 OF 3	

THIS DRAWING CONTAINS INFORMATION THAT IS PROPRIETARY TO MOLEX INCORPORATED AND SHOULD NOT BE USED WITHOUT WRITTEN PERMISSION



CIRCUIT SIZE	DIM. "A"	DIM. "B"	DIM. "C"
2	$\frac{.21}{(5.4)}$	—	$\frac{.370}{(9.40)}$
4	$\frac{.38}{(9.6)}$	$\frac{.17}{(4.2)}$	$\frac{.535}{(13.60)}$
6	$\frac{.54}{(13.8)}$	$\frac{.33}{(8.4)}$	$\frac{.701}{(17.80)}$
8	$\frac{.71}{(18.0)}$	$\frac{.50}{(12.6)}$	$\frac{.866}{(22.00)}$
10	$\frac{.87}{(22.2)}$	$\frac{.66}{(16.8)}$	$\frac{1.031}{(26.20)}$
12	$\frac{1.04}{(26.4)}$	$\frac{.83}{(21.0)}$	$\frac{1.197}{(30.40)}$
14	$\frac{1.20}{(30.6)}$	$\frac{.99}{(25.2)}$	$\frac{1.362}{(34.60)}$
16	$\frac{1.37}{(34.8)}$	$\frac{1.16}{(29.4)}$	$\frac{1.528}{(38.80)}$
18	$\frac{1.54}{(39.0)}$	$\frac{1.32}{(33.6)}$	$\frac{1.693}{(43.00)}$
20	$\frac{1.70}{(43.2)}$	$\frac{1.49}{(37.8)}$	$\frac{1.858}{(47.20)}$
22	$\frac{1.87}{(47.4)}$	$\frac{1.65}{(42.0)}$	$\frac{2.024}{(51.40)}$
24	$\frac{2.03}{(51.6)}$	$\frac{1.82}{(46.2)}$	$\frac{2.189}{(55.60)}$



SEE SHEET 1 FOR 3 THRU 12 CIRCUIT SINGLE ROW
SEE CHART ON SHEET 3 FOR OPTIONS

SEE SHEET 1 EC NO: UCP2012-1560 DRAWN BY: DRWINHNGUYEN 2012/01/05 CHKD: JBELL 2012/01/05 APPR: FSMITH 2012/02/02	QUALITY SYMBOLS $\nabla = 0$ $\nabla = 0$ $\nabla = 0$	GENERAL TOLERANCES (UNLESS SPECIFIED)		DIMENSION STYLE IN/MM		SCALE 4:1	DESIGN UNITS METRIC	THIRD ANGLE PROJECTION																
		<table border="1"> <tr> <th></th> <th>mm</th> <th>INCH</th> </tr> <tr> <td>4 PLACES</td> <td>$\pm .003$</td> <td>$\pm .0008$</td> </tr> <tr> <td>3 PLACES</td> <td>$\pm .004$</td> <td>$\pm .0010$</td> </tr> <tr> <td>2 PLACES</td> <td>$\pm .005$</td> <td>$\pm .0013$</td> </tr> <tr> <td>1 PLACE</td> <td>$\pm .007$</td> <td>$\pm .0018$</td> </tr> </table>			mm	INCH	4 PLACES	$\pm .003$	$\pm .0008$	3 PLACES	$\pm .004$	$\pm .0010$	2 PLACES	$\pm .005$	$\pm .0013$	1 PLACE	$\pm .007$	$\pm .0018$	DRAWN BY: POLGAR DATE: 2001/12/03 CHECKED BY: BANDURA DATE: 2001/12/06 APPROVED BY: FSMITH DATE: 2012/02/02		TITLE VERT. HEADER ASSEMBLY, SELECTIVELY LOADED HCS, MINI-FIT JR.SERIES		MOLEX INCORPORATED	
			mm	INCH																				
		4 PLACES	$\pm .003$	$\pm .0008$																				
3 PLACES	$\pm .004$	$\pm .0010$																						
2 PLACES	$\pm .005$	$\pm .0013$																						
1 PLACE	$\pm .007$	$\pm .0018$																						
ANGULAR $\pm 1/2^\circ$		MATERIAL NO. SEE CHART		DOCUMENT NO. SD-44472-001		SHEET NO. 2 OF 3																		
DRAFT WHERE APPLICABLE MUST REMAIN WITHIN DIMENSIONS		SIZE C		THIS DRAWING CONTAINS INFORMATION THAT IS PROPRIETARY TO MOLEX INCORPORATED AND SHOULD NOT BE USED WITHOUT WRITTEN PERMISSION																				

MATERIAL NUMBER	CKT. SIZE	ROWS	U.L. RATING	DRAIN HOLES	PEGS	FOR PLATING SEE NOTE 2 ON SHEET 1. S = STANDARD LENGTH M = MAKE FIRST/BREAK LAST V = VOID CIRCUIT																							
						1	2	3	4	5	6	7	8	9	10	11	12	13	14	15	16	17	18	19	20	21	22	23	24
444723000	3	SINGLE	94V-2	YES	YES	S222	V	S222	-	-	-	-	-	-	-	-	-	-	-	-	-	-	-	-	-	-			
444723001	3	SINGLE	94V-0	YES	YES	S222	V	S222	-	-	-	-	-	-	-	-	-	-	-	-	-	-	-	-	-	-			
444723002	20	DUAL	94V-0	NO	NO	V	S222	S222	V	S222	S222	S222	V	S222	S222	V	S222	S222	V	S222	S222	V	S222	S222	V	-			
444723003	20	DUAL	94V-0	NO	NO	S222	S222	S222	V	S222	S222	S222	V	S222	S222	S222	S222	V	S222	S222	V	S222	S222	V	-	-			
444723004	8	DUAL	94V-2	YES	YES	S222	S222	S222	S222	V	S222	S222	S222	-	-	-	-	-	-	-	-	-	-	-	-	-			
444723005	8	DUAL	94V-0	YES	YES	S222	S222	S222	S222	V	S222	S222	S222	-	-	-	-	-	-	-	-	-	-	-	-	-			
444723006	10	DUAL	94V-0	YES	YES	S222	M222	M222	M222	S222	S222	M222	M222	M222	S222	-	-	-	-	-	-	-	-	-	-	-			

SEE SHEET 1 FOR 3 THRU 12 CIRCUIT SINGLE ROW
 SEE SHEET 2 FOR 2 THRU 24 CIRCUIT DUAL ROW

SEE SHEET 1 EC NO: UCP2012-1560 DRAWN: NGUYEN 2012/01/05 CHKD: BELL 2012/01/05 APPR: FSMITH 2012/02/02	QUALITY SYMBOLS	GENERAL TOLERANCES (UNLESS SPECIFIED)	DIMENSION STYLE	SCALE	DESIGN UNITS	THIRD ANGLE PROJECTION
	▽=0	mm INCH	IN/MM	1:1	METRIC	
	▽=0	4 PLACES ± --- ± ---	DRAWN BY DATE	TITLE		
	▽=0	3 PLACES ± --- ±.38	POLGAR 2001/12/03	VERT. HEADER ASSEMBLY, SELECTIVELY LOADED HCS, MINI-FIT JR.SERIES		
	2 PLACES ±0.15 ± ---	CHECKED BY DATE	MATERIAL NO.			
	1 PLACE ± --- ± ---	BANDURA 2001/12/06	SD-44472-001			
	ANGULAR ±1/2°	APPROVED BY DATE	SHEET NO.			
	DRAFT WHERE APPLICABLE MUST REMAIN WITHIN DIMENSIONS	FSMITH 2012/02/02	3 OF 3			
		MATERIAL NO.	THIS DRAWING CONTAINS INFORMATION THAT IS PROPRIETARY TO MOLEX INCORPORATED AND SHOULD NOT BE USED WITHOUT WRITTEN PERMISSION			
		SEE CHART				